

53050 ✓ ACTIVE

PIDG

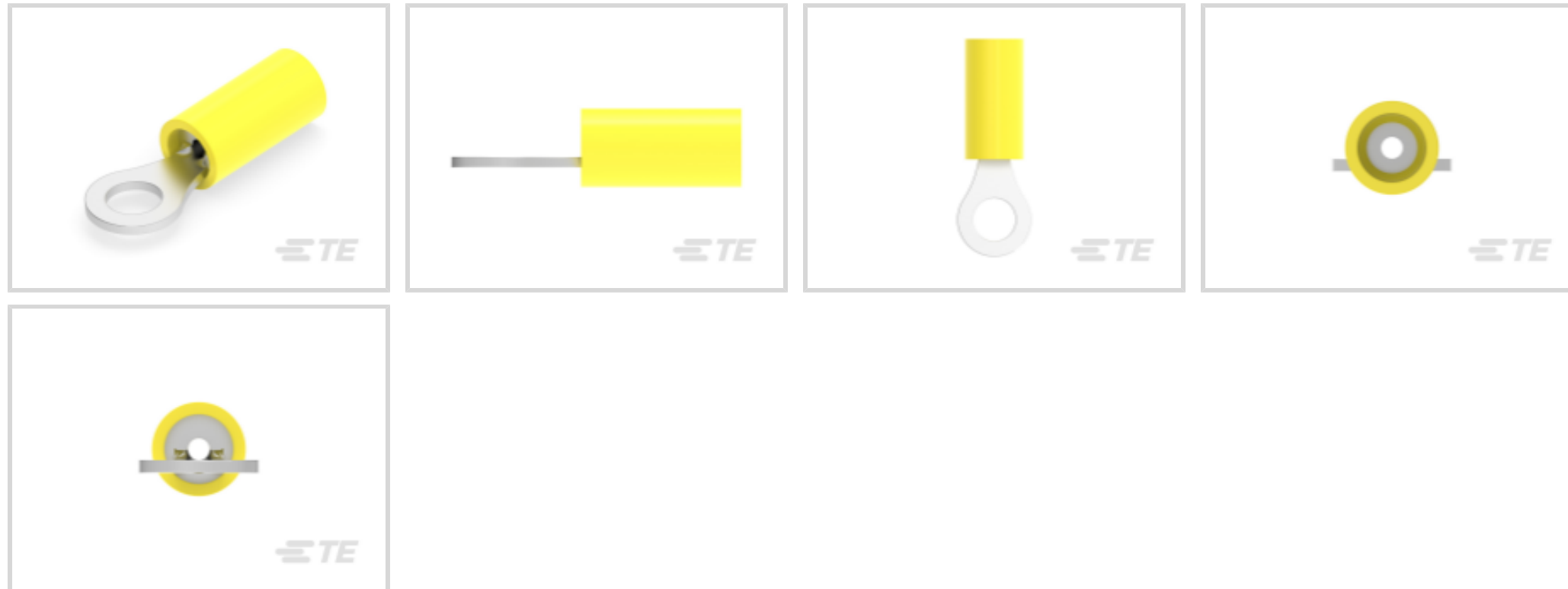
TE Internal #: 53050

Closed Ring Tongue Terminal, 26 AWG, #6 / M3.5 Stud, 3.51 mm [.138 in] Stud Diameter, Closed Barrel, Straight, Tin Plating, Partially Insulated, PIDG

[View on TE.com >](#)



Terminals & Splices > Ring Terminals > PIDG Ring Tongue Terminals



Ring Terminal Product Type: Closed Ring Tongue Terminal

Wire Size: 304 CMA

Stud Size: #6, M3.5

Stud Diameter: 3.51 mm [.138 in]

[All PIDG Ring Tongue Terminals \(410\)](#)

Features

Configuration Features

Number of Holes	1
-----------------	---

Mechanical Attachment

Wire Insulation Support	With
-------------------------	------

Electrical Characteristics

Voltage Rating	300 V
----------------	-------

Industry Standards

Government Qualified Terminal	Yes
-------------------------------	-----

Body Features

Insulation Sleeve Color	Yellow
-------------------------	--------

Stripe Color	Black
--------------	-------

Packaging Features

Packaging Quantity	1000
--------------------	------

Packaging Method	Loose Piece
------------------	-------------

Contact Features

Military Part Class	Class I
Barrel Type	Closed
Terminal Orientation	Straight
Terminal Plating Material	Tin

Product Type Features

Ring Terminal Product Type	Closed Ring Tongue Terminal
Stud Size	#6, M3.5
Sealable	No
Wire Insulation Support Retention Type	Insulation Restriction

Dimensions

Wire Size	304 CMA
Stud Diameter	3.51 mm [.138 in]
Tongue Thickness	.79 mm [.031 in]
Product Length	20.1 mm [.792 in]
Compatible Insulation Diameter (Max)	1.4 mm [.055 in]
Compatible Insulation Diameter Range	.66 – 1.4 mm [.026 – .055 in]

Usage Conditions

Insulation Option	Partially Insulated
-------------------	---------------------

Operation/Application

Compatible With Wire Base Material	Copper
Compatible With Wire Plating Material	Tin

Other

EU RoHS Compliance	Compliant with Exemptions
EU ELV Compliance	Compliant with Exemptions

Product Compliance

[For compliance documentation, visit the product page on TE.com>](#)

EU RoHS Directive 2011/65/EU	Compliant with Exemptions
EU ELV Directive 2000/53/EC	Compliant with Exemptions
China RoHS 2 Directive MIIT Order No 32, 2016	Restricted Materials Above Threshold



EU REACH Regulation (EC) No. 1907/2006

Current ECHA Candidate List: JUNE 2024 (241)

Candidate List Declared Against: JUNE 2024 (241)

SVHC > Threshold:

Pb (1.5% in Component Part)

Article Safe Usage Statements:

Do not eat, drink or smoke when using this product. Wash thoroughly after handling. Recycle if possible and dispose of the article by following all applicable governmental regulations relevant to your geographic location.

Halogen Content

Low Halogen - Br, Cl, F, I < 900 ppm per homogenous material. Also BFR/CFR/PVC Free

Solder Process Capability

Not applicable for solder process capability

Product Compliance Disclaimer

This information is provided based on reasonable inquiry of our suppliers and represents our current actual knowledge based on the information they provided. This information is subject to change. The part numbers that TE has identified as EU RoHS compliant have a maximum concentration of 0.1% by weight in homogenous materials for lead, hexavalent chromium, mercury, PBB, PBDE, DBP, BBP, DEHP, DIBP, and 0.01% for cadmium, or qualify for an exemption to these limits as defined in the Annexes of Directive 2011/65/EU (RoHS2). Finished electrical and electronic equipment products will be CE marked as required by Directive 2011/65/EU. Components may not be CE marked. Additionally, the part numbers that TE has identified as EU ELV compliant have a maximum concentration of 0.1% by weight in homogenous materials for lead, hexavalent chromium, and mercury, and 0.01% for cadmium, or qualify for an exemption to these limits as defined in the Annexes of Directive 2000/53/EC (ELV). Regarding the REACH Regulation, the information TE provides on SVHC in articles for this part number is based on the latest European Chemicals Agency (ECHA) 'Guidance on requirements for substances in articles' posted at this URL: <https://echa.europa.eu/guidance-documents/guidance-on-reach>

Compatible Parts



REPRESENTATION ONLY

TE Part # 47386
DAHT PG PIDG 26-16 ASSY



TE Part # 59170
T-HEAD PIDG SH 26-14 ASSY




TE Part # 59300
T-HEAD PIDG PG 26-16 ASSY



TE Part # 2063030-1
SDE DIESET, RBY, UL


Also in the Series | PIDG




Compression Connectors(17)



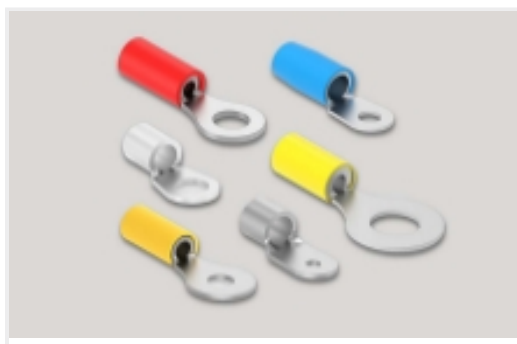
Crimp Wire Pins, Tabs & Ferrules(41)



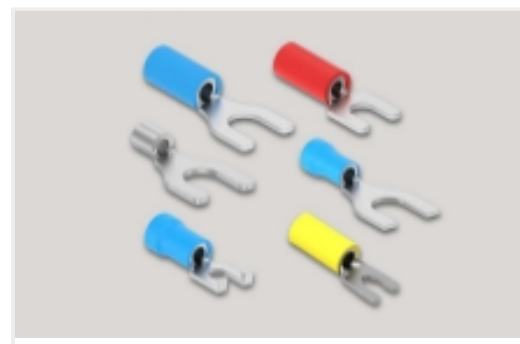
Knife Disconnects(11)



Quick Disconnects(38)



Ring Terminals(588)



Spade Terminals(228)



Special Purpose Terminals(1)

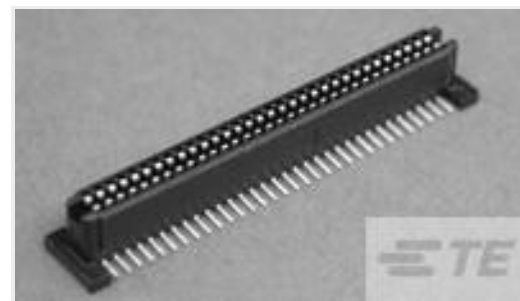


Splices(41)

Customers Also Bought



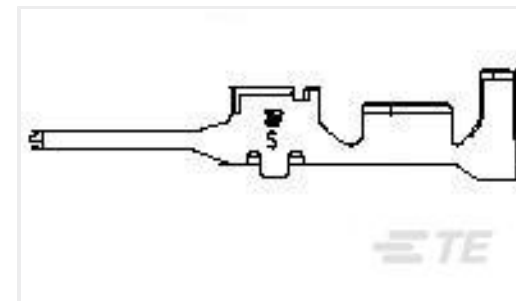
TE Part #2110304-1
SFP+ 1x1 Cage Assembly, Solder Tail



TE Part #146893-1
1FHR,64,30A/P,S,C,S08,09,10



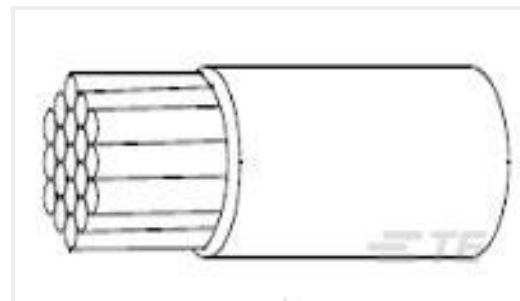
TE Part #640923-2
RECEPT,PIDG, FASTON, .110 SERIES,
22-18



TE Part #1-2040586-1
DYNAMIC D4200 TAB CONT S/LP
LONG



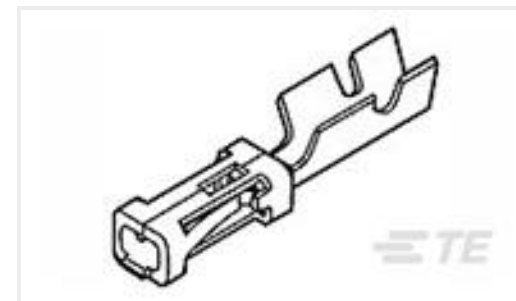
TE Part #321271
TERMINAL,SOLIS R 4/0 5/16



TE Part #686779-002
22759/33-26-3



TE Part #213737-1
SIZE 8 SKT CONT ASSY,10 AWG



TE Part #2-87195-5
MOD IV RECP LP



TE Part #213499-1
PLUG HSG,8 POWER METRIMATE



TE Part #8-34104-1
SOLIS R 22-16 COMM 22-18 MIL 4

Documents

Product Drawings

[TERMINAL,PIDG R IR 26 6](#)

English

CAD Files

[3D PDF](#)

[3D](#)

[Customer View Model](#)

[ENG_CVM_CVM_53050_E.2d_dxf.zip](#)

53050

Closed Ring Tongue Terminal, 26 AWG, #6 / M3.5 Stud, 3.51 mm [.138 in] Stud Diameter, Closed Barrel, Straight, Tin Plating, Partially Insulated, PIDG



English

Customer View Model

[ENG_CVM_CVM_53050_E.3d_igs.zip](#)

English

Customer View Model

[ENG_CVM_CVM_53050_E.3d_stp.zip](#)

English

By downloading the CAD file I accept and agree to the [Terms and Conditions](#) of use.