



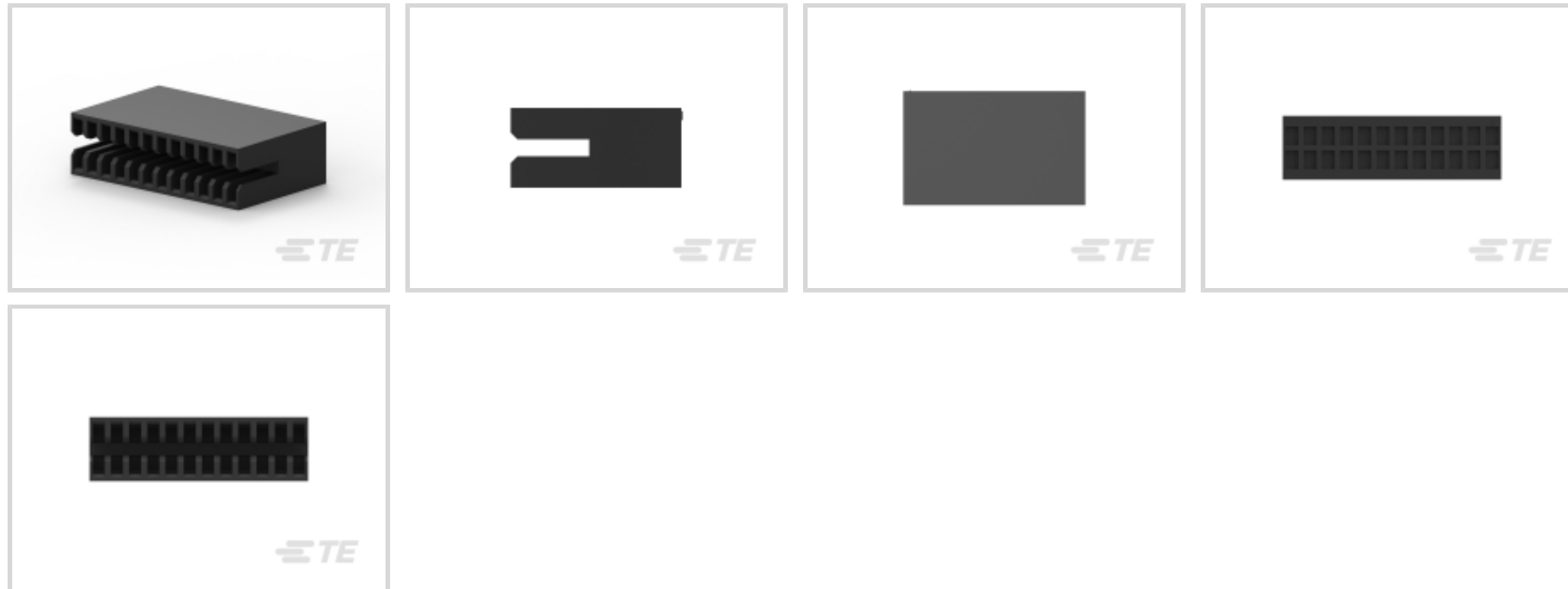
CGS HS

TE Internal #: 530241-1

Housing, Receptacle, Wire-to-Board, 12 Position, 2.54 mm [.1 in] Centerline, Crimp, 2 Row, Black, Printed Circuit Board, Power & Signal, CGS HS

[View on TE.com >](#)

Connectors > PCB Connectors > Wire-to-Board Connectors > Wire-to-Board Connector Assemblies & Housings



Connector Product Type: **Housing**

Connector & Housing Type: **Receptacle**

Connector System: **Wire-to-Board**

Number of Positions: **12**

Centerline (Pitch): **2.54 mm [.1 in]**

**Features**

**Product Type Features**

Connector Product Type	Housing
Connector & Housing Type	Receptacle
Connector System	Wire-to-Board
Connector & Contact Terminates To	Printed Circuit Board

**Configuration Features**

Number of Positions	12
Number of Rows	2

**Body Features**

Primary Product Color	Black
-----------------------	-------

**Contact Features**

Contact Current Rating (Max)	5 A
------------------------------	-----

**Termination Features**

Termination Method to Wire & Cable	Crimp
------------------------------------	-------



### Mechanical Attachment

Connector Mounting Type	Board Mount
-------------------------	-------------

### Housing Features

Centerline (Pitch)	2.54 mm [.1 in]
--------------------	-----------------

### Usage Conditions

Operating Temperature Range	-55 – 105 °C [-67 – 221 °F]
-----------------------------	-----------------------------

### Operation/Application

Circuit Application	Power & Signal
---------------------	----------------

### Other

EU RoHS Compliance	Compliant
EU ELV Compliance	Compliant

### Product Compliance

[For compliance documentation, visit the product page on TE.com>](#)

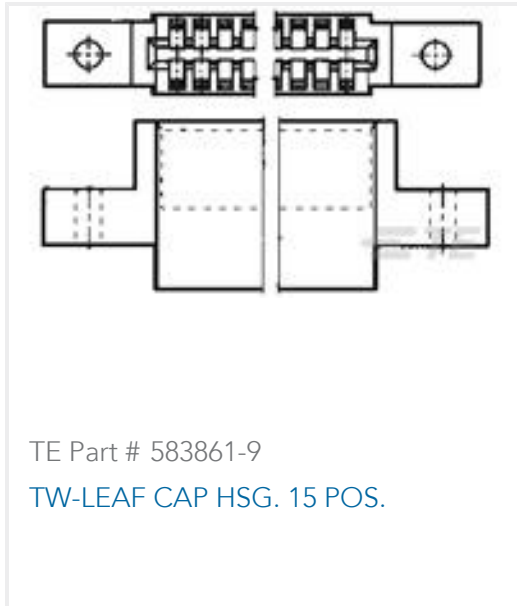
EU RoHS Directive 2011/65/EU	Compliant
EU ELV Directive 2000/53/EC	Compliant
China RoHS 2 Directive MIIT Order No 32, 2016	No Restricted Materials Above Threshold
EU REACH Regulation (EC) No. 1907/2006	Current ECHA Candidate List: JUNE 2024 (241) Candidate List Declared Against: JUNE 2024 (241) Does not contain REACH SVHC
Halogen Content	Not Low Halogen - contains Br or Cl > 900 ppm.
Solder Process Capability	Not applicable for solder process capability

#### Product Compliance Disclaimer

This information is provided based on reasonable inquiry of our suppliers and represents our current actual knowledge based on the information they provided. This information is subject to change. The part numbers that TE has identified as EU RoHS compliant have a maximum concentration of 0.1% by weight in homogenous materials for lead, hexavalent chromium, mercury, PBB, PBDE, DBP, BBP, DEHP, DIBP, and 0.01% for cadmium, or qualify for an exemption to these limits as defined in the Annexes of Directive 2011/65/EU (RoHS2). Finished electrical and electronic equipment products will be CE marked as required by Directive 2011/65/EU. Components may not be CE marked. Additionally, the part numbers that TE has identified as EU ELV compliant have a maximum concentration of 0.1% by weight in homogenous materials for lead, hexavalent chromium, and mercury, and 0.01% for cadmium, or qualify for an exemption to these limits as defined in the Annexes of Directive 2000/53/EC (ELV). Regarding the REACH Regulation, the information TE provides on SVHC in articles for this part number is based on the latest European Chemicals Agency (ECHA) 'Guidance on requirements for substances in articles' posted at this URL: <https://echa.europa.eu/guidance-documents/guidance-on-reach>

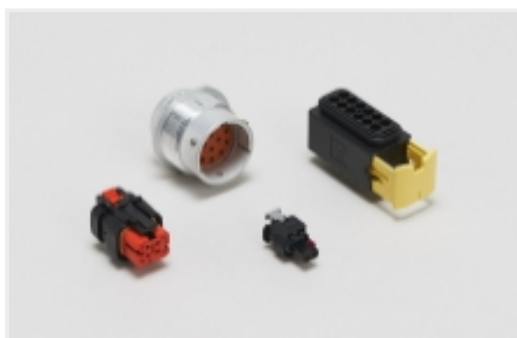


### Compatible Parts

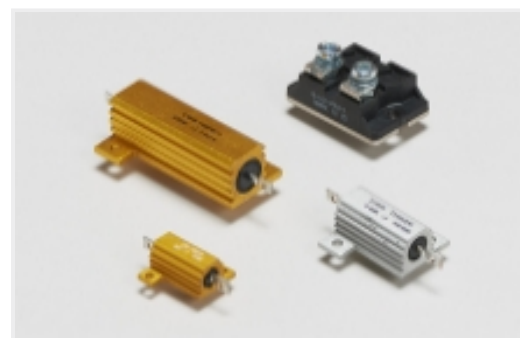


TE Part # 583861-9  
TW-LEAF CAP HSG. 15 POS.

### Also in the Series | CGS HS



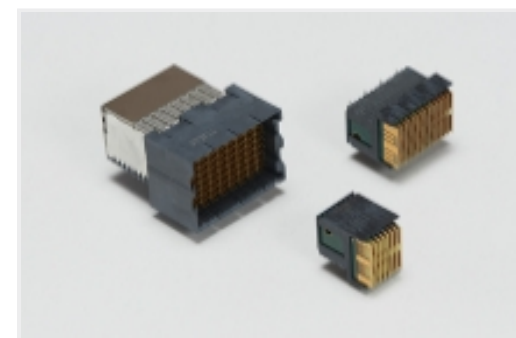
Automotive Housings(1)



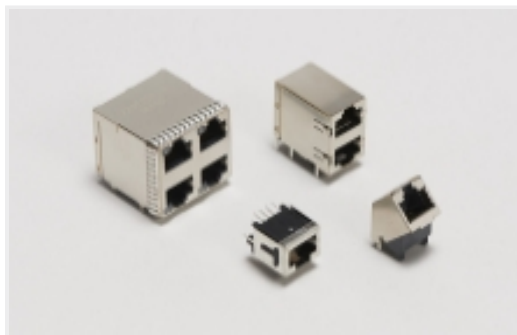
Chassis Mount Resistors(1069)



FFC Connectors(1)



High Speed Backplane Connectors(10)



RJ45 Connectors(1)



Wire-to-Board Connector Assemblies & Housings(1)

### Customers Also Bought



TE Part #1385719-1  
UP.250 STRAIGHT SA110F220F LM



TE Part #440452-000  
RT-3-NO.1-0-2.25IN



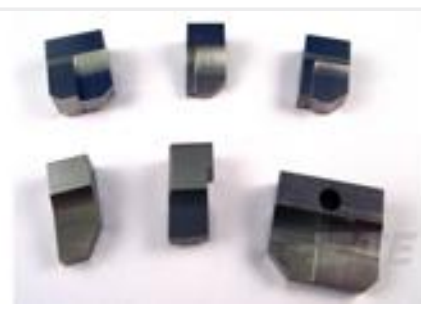
TE Part #2-171706-1  
FASTON 250 INS POD NYLON NAT



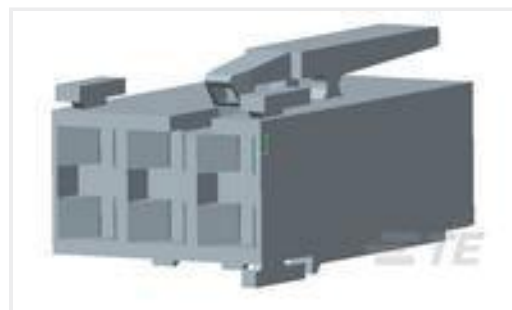
TE Part #1852646-1  
EFHBPO200TABLOCK.210O LM/G



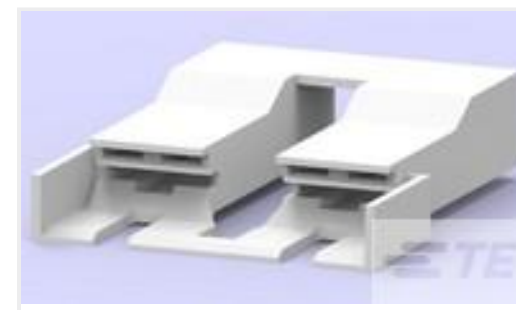
TE Part #530219P009  
RNF-150-1/4-0-1.25IN



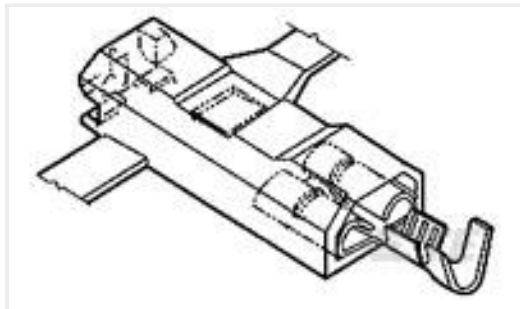
TE Part #1-853088-0  
ANVIL



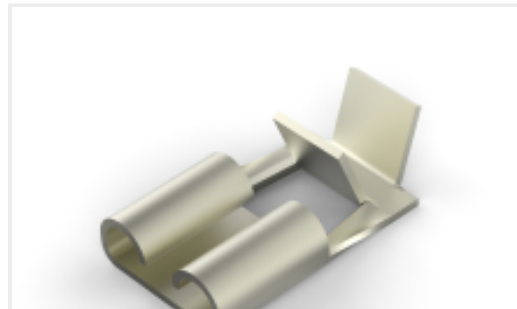
TE Part #2-1241817-3  
STD TIM HOUSING MKII 3POS



TE Part #1-521253-3  
PL MKIII & FASTON 250 HSG 2P  
NYLON GREEN



TE Part #521081-1  
ULTRA-POD 250 ASSY REC 18-14  
AWG BR



TE Part #1217972-2  
250 FASTON, FLAG, REC., 18-14 AWG,  
NPST

## Documents

### Product Drawings

[TW-LEAF HSG.12 POS 100C/L](#)

English

### CAD Files

[3D PDF](#)

3D

Customer View Model

[ENG\\_CVM\\_CVM\\_530241-1\\_AF.2d\\_dxf.zip](#)

English

Customer View Model

[ENG\\_CVM\\_CVM\\_530241-1\\_AF.3d\\_igs.zip](#)

English

Customer View Model

[ENG\\_CVM\\_CVM\\_530241-1\\_AF.3d\\_stp.zip](#)

English

By downloading the CAD file I accept and agree to the [Terms and Conditions](#) of use.

### Product Specifications

[Product Specification](#)

English

[Product Specification](#)

English