

RNF-150-1/4-0-1.25IN ✓ ACTIVE

RAYCHEM | RAYCHEM RNF-150

TE Internal #: 530219P009

Heat Shrink Tubing, Black, 2:1, Single Wall Tubing, Shrinks To 3.18 mm [.125 in], Crosslinked Fluoropolymer, RAYCHEM RNF-150

[View on TE.com >](#)



Heat Shrink Tubing > RNF-150 Heat Shrink Tubing



Tubing Product Type: **Heat Shrink Tubing**

Primary Product Color: **Black**

Shrink Ratio: **2:1**

Wall Type: **Single Wall**

Recovered Inside Diameter (Max): **3.18 mm [.125 in]**

[All RNF-150 Heat Shrink Tubing \(27\)](#)

Features

Electrical Characteristics

Operating Voltage (Max)	.6 kV
-------------------------	-------

Usage Conditions

Shrink Temperature (Min)	110 °C
--------------------------	--------

Tubing Flammability Type	Highly Flame-Retardant
--------------------------	------------------------

Operating Temperature Range	-55 – 150 °C
-----------------------------	--------------

Recovery Temperature	150 °C
----------------------	--------

Dimensions

Recovered Wall Thickness (Nominal)	.3 mm[.012 in]
------------------------------------	----------------

Product Length	31.75 mm[1.25 in]
----------------	-------------------

Recovered Wall Thickness (Tolerance)	.15 mm[.006 in]
--------------------------------------	-----------------

Recovered Inside Diameter (Max)	3.18 mm[.125 in]
---------------------------------	------------------

Expanded Inside Diameter (Min)	6.35 mm[.25 in]
--------------------------------	-----------------

Body Features

Fluid Type	Lubricating Oil, Aviation Fuel, Hydraulic Fluid, Water
------------	--

Primary Product Color	Black
-----------------------	-------

Shrink Ratio	2:1
--------------	-----



Primary Product Material	Crosslinked Fluoropolymer
--------------------------	---------------------------

Flexibility	Flexible
-------------	----------

Product Type Features

Tubing Product Type	Heat Shrink Tubing
---------------------	--------------------

Wall Type	Single Wall
-----------	-------------

Packaging Features

Packaging Method	Piece
------------------	-------

Operation/Application

Mechanical Resistance	Mechanical Damage, Strain Relief, Fluids, Abrasion
-----------------------	--

Product Availability

Applicable Region	Global
-------------------	--------

Other

Meets Low Outgassing Requirements	No
-----------------------------------	----

Product Source	Czech Republic
----------------	----------------

EU RoHS Compliance	Compliant
--------------------	-----------

EU ELV Compliance	Compliant
-------------------	-----------

Product Compliance

[For compliance documentation, visit the product page on TE.com>](#)

EU RoHS Directive 2011/65/EU	Compliant
------------------------------	-----------

EU ELV Directive 2000/53/EC	Compliant
-----------------------------	-----------

China RoHS 2 Directive MIIT Order No 32, 2016	No Restricted Materials Above Threshold
---	---

EU REACH Regulation (EC) No. 1907/2006	Current ECHA Candidate List: JUNE 2024 (241) Candidate List Declared Against: JUNE 2024 (241) Does not contain REACH SVHC
--	---

Halogen Content	Low Bromine/Chlorine - Br and Cl < 900 ppm per homogenous material. Also BFR /CFR/PVC Free
-----------------	--

Solder Process Capability	Not applicable for solder process capability
---------------------------	--

Product Compliance Disclaimer


This information is provided based on reasonable inquiry of our suppliers and represents our current actual knowledge based on the information they provided. This information is subject to change. The part numbers that TE has identified as

EU RoHS compliant have a maximum concentration of 0.1% by weight in homogenous materials for lead, hexavalent chromium, mercury, PBB, PBDE, DBP, BBP, DEHP, DIBP, and 0.01% for cadmium, or qualify for an exemption to these limits as defined in the Annexes of Directive 2011/65/EU (RoHS2). Finished electrical and electronic equipment products will be CE marked as required by Directive 2011/65/EU. Components may not be CE marked. Additionally, the part numbers that TE has identified as EU ELV compliant have a maximum concentration of 0.1% by weight in homogenous materials for lead, hexavalent chromium, and mercury, and 0.01% for cadmium, or qualify for an exemption to these limits as defined in the Annexes of Directive 2000/53/EC (ELV). Regarding the REACH Regulation, the information TE provides on SVHC in articles for this part number is based on the latest European Chemicals Agency (ECHA) 'Guidance on requirements for substances in articles' posted at this URL: <https://echa.europa.eu/guidance-documents/guidance-on-reach>

Compatible Parts



TE Part # 1-2376800-4
RBK-X1C CE, W/ AIR COOLING



TE Part # 1-528018-1
IR-1891 SHUTTLE RETURN



TE Part # 2375320-2
XB19 Belt Heater, 150mm (6'') Version



TE Part # 2375310-1
XB17 Belt Heater, 220V



TE Part # 1-2234800-1
RBK-X1, AUTO TRIGGER



TE Part # 2326489-1
MODEL 105 TUNNEL OVEN, 36"
ENTRY, STAND A




TE Part # 955018-000
CLTEQ-M105-TUNNEL-OVEN



TE Part # 2375320-1
XB19 Belt Heater, STD



TE Part # 1-2376800-3
RBK-X1C, W/ AIR COOLING



TE Part # 1-2375320-1
XB19 BELT HEATER, AUTO SHUT OFF



TE Part # 2376800-1
RBK-X1C STD



TE Part # 2234800-1
RBK-X1 STD



TE Part # 1-2234800-3
RBK-X1, W/ AIR COOLING



TE Part # 2376800-2
RBK-X1C CE STD



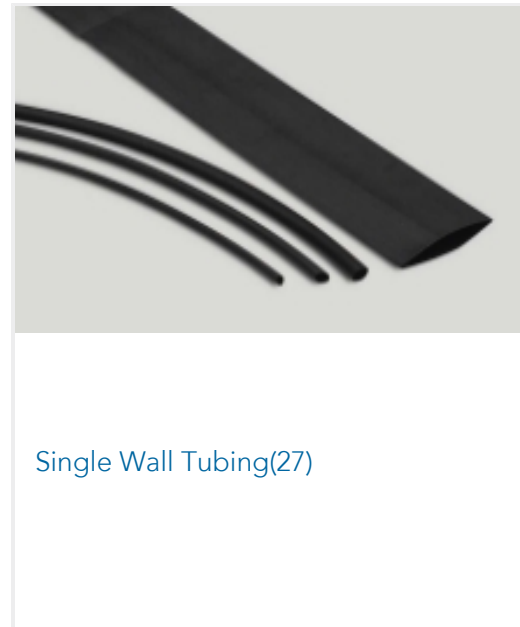
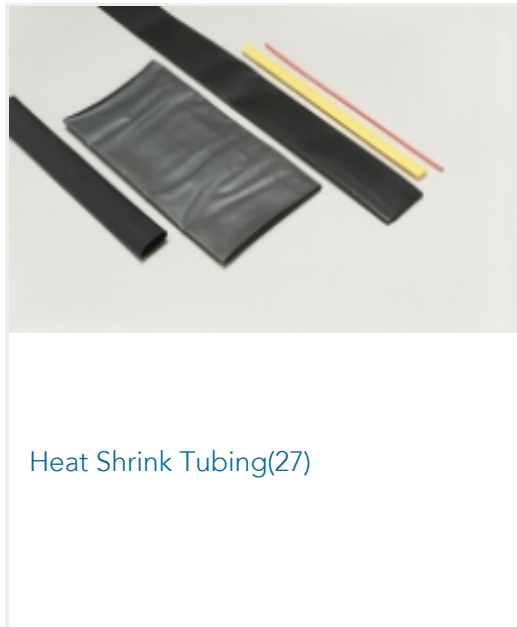
TE Part # 2234800-2
RBK-X1 CE STD



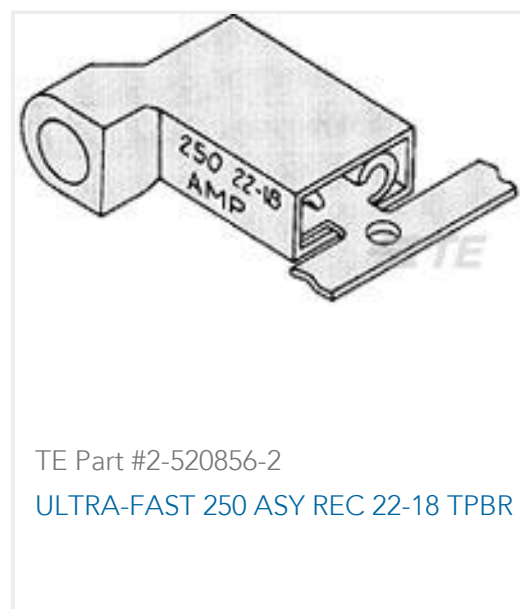
TE Part # 2280355-1
220 V MODEL 17



Also in the Series | **RAYCHEM RNF-150**



Customers Also Bought





Documents

Product Drawings

[RNF-150-1/4-0-1.25IN](#)

English

Datasheets & Catalog Pages

[Measuring_Single_Wall_Tubing](#)

English

[Selecting_Correct_Tubing_1216](#)

English

[RNF-150 Pages from 9-1773447-9](#)

English

[High-Performance, Thin-Wall, Flexible, Fluoropolymer Heat-Shrinkable Tubing](#)

English

Product Specifications

[Application Specification](#)

English