

52962-1 ✓ ACTIVE

PLASTI-GRIP

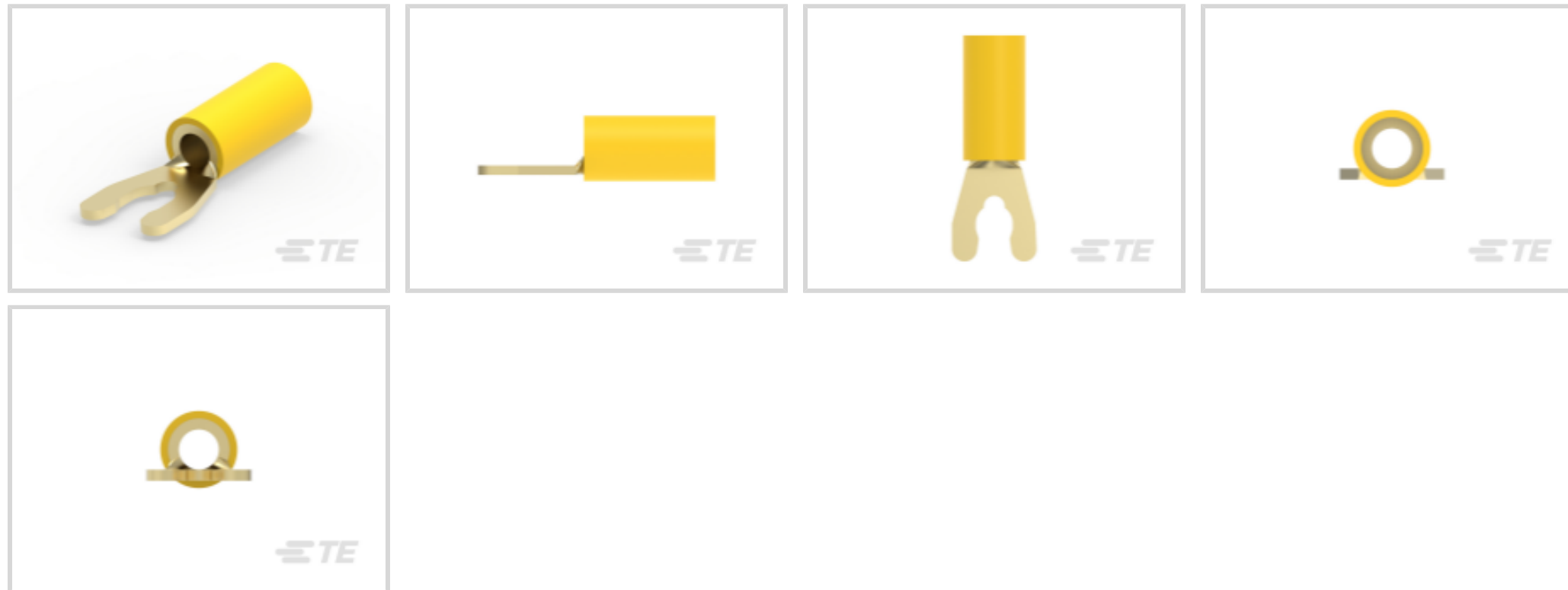
TE Internal #: 52962-1

Spring Spade Terminal, 12 – 10 AWG, #8 / M4 Stud, 4.17 mm [.164 in] Stud Diameter, Closed Barrel, Straight, Tin Plating, PLASTI-GRIP

[View on TE.com >](#)



Terminals & Splices > Spade Terminals



Spade Terminal Type: **Spring Spade Terminal**

Wire Size: **5180 – 13100 CMA**

Stud Size: **#8, M4**

### Features

#### Mechanical Attachment

Wire Insulation Support	With
-------------------------	------

#### Electrical Characteristics

Voltage Rating	600 V
----------------	-------

#### Industry Standards

Government Qualified Terminal	No
-------------------------------	----

#### Body Features

Insulation Sleeve Color	Yellow
-------------------------	--------

Stripe Color	Yellow
--------------	--------

#### Packaging Features

Packaging Quantity	2500
--------------------	------

Packaging Method	Tape Mounted
------------------	--------------

#### Product Type Features

Stud Size	#8, M4
-----------	--------

Sealable	No
----------	----

Wire Insulation Support Retention Type	Insulation Support
--	--------------------



### Contact Features

Spade Terminal Type	Spring Spade Terminal
Barrel Type	Closed
Terminal Orientation	Straight
Terminal Plating Material	Tin

### Dimensions

Wire Size	5180 – 13100 CMA
Stud Diameter	4.17 mm [.164 in]
Tongue Thickness	.99 mm [.039 in]
Product Length	26.72 mm [1.052 in]
Compatible Insulation Diameter (Max)	5.08 mm [.2 in]
Compatible Insulation Diameter Range	2.67 – 5.08 mm [.105 – .2 in]

### Usage Conditions

Insulation Option	Partially Insulated
-------------------	---------------------

### Operation/Application

Compatible With Wire Base Material	Copper
Compatible With Wire Plating Material	Tin

### Other

EU RoHS Compliance	Compliant
EU ELV Compliance	Compliant

### Product Compliance

[For compliance documentation, visit the product page on TE.com>](#)

EU RoHS Directive 2011/65/EU	Compliant
EU ELV Directive 2000/53/EC	Compliant
China RoHS 2 Directive MIIT Order No 32, 2016	No Restricted Materials Above Threshold
EU REACH Regulation (EC) No. 1907/2006	Current ECHA Candidate List: JUNE 2024 (241) Candidate List Declared Against: JUNE 2024 (241) Does not contain REACH SVHC
Halogen Content	Not Low Halogen - contains Br or Cl > 900 ppm.
Solder Process Capability	Not applicable for solder process capability

## Product Compliance Disclaimer

This information is provided based on reasonable inquiry of our suppliers and represents our current actual knowledge based on the information they provided. This information is subject to change. The part numbers that TE has identified as EU RoHS compliant have a maximum concentration of 0.1% by weight in homogenous materials for lead, hexavalent chromium, mercury, PBB, PBDE, DBP, BBP, DEHP, DIBP, and 0.01% for cadmium, or qualify for an exemption to these limits as defined in the Annexes of Directive 2011/65/EU (RoHS2). Finished electrical and electronic equipment products will be CE marked as required by Directive 2011/65/EU. Components may not be CE marked. Additionally, the part numbers that TE has identified as EU ELV compliant have a maximum concentration of 0.1% by weight in homogenous materials for lead, hexavalent chromium, and mercury, and 0.01% for cadmium, or qualify for an exemption to these limits as defined in the Annexes of Directive 2000/53/EC (ELV). Regarding the REACH Regulation, the information TE provides on SVHC in articles for this part number is based on the latest European Chemicals Agency (ECHA) 'Guidance on requirements for substances in articles' posted at this URL: <https://echa.europa.eu/guidance-documents/guidance-on-reach>

## Compatible Parts



## Also in the Series | PLASTI-GRIP



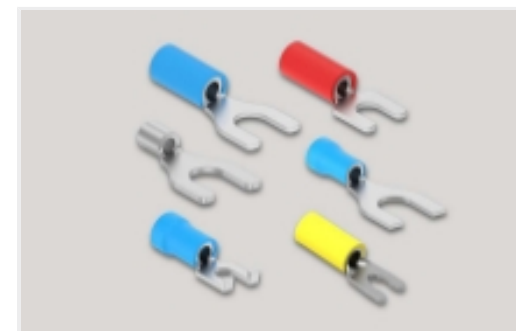
Compression Connectors(3)



Crimp Wire Pins, Tabs &amp; Ferrules(20)



Ring Terminals(310)

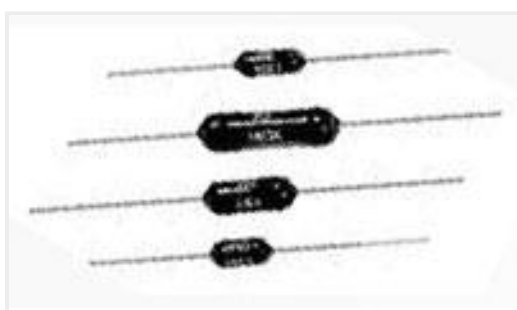


Spade Terminals(159)



Splices(45)

## Customers Also Bought



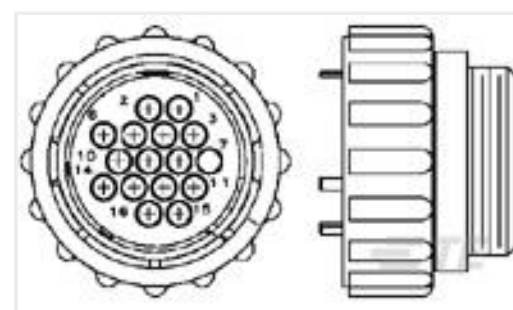
TE Part #3-1879665-5  
H8 28K 0.1% 15PPM



TE Part #1-66358-9  
III+ SKT,18-14,30AU/FL,STRIP



TE Part #1-66359-2  
III+ PIN,18-14,30AU/FL,STRIP



TE Part #206037-3  
CPC PLUG ASSEMBLY SZ 17-16



TE Part #1658543-2  
SOCKET CONT DUPL PLT STRIP HD-



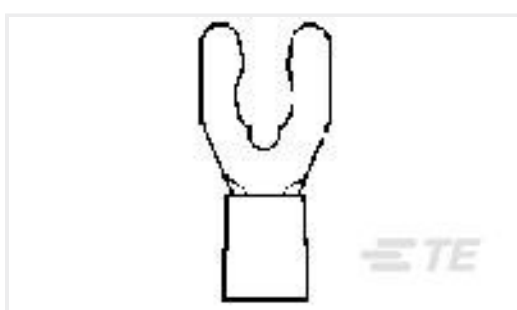
TE Part #3-1825139-4  
A211SDZQ04



TE Part #5750752-1  
68 50SR BKSHELL KIT W/BOOT



TE Part #3-1614893-4  
CPF 0805 28K 0.1% 25PPM 1K RL



TE Part #52950-1  
PG SPR SPD 22-16COMM22-18MIL 8



TE Part #5786860-7  
68 50SR CABLE RCPT S/A

## Documents

### Product Drawings

[TERMINAL,PG SPR SPD 12-10 8](#)

English

### CAD Files

[3D PDF](#)

3D

Customer View Model

[ENG\\_CVM\\_CVM\\_52962-1\\_AB.2d\\_dxf.zip](#)

English

Customer View Model

[ENG\\_CVM\\_CVM\\_52962-1\\_AB.3d\\_igs.zip](#)

English

Customer View Model

[ENG\\_CVM\\_CVM\\_52962-1\\_AB.3d\\_stp.zip](#)

English

By downloading the CAD file I accept and agree to the [Terms and Conditions](#) of use.

### Product Specifications



### Application Specification

English

---

### Instruction Sheets

**AMP\* PIDG\* (VINYL) & PLASTI-GRIP\* SHORT SPRING SPADE TERMINALS FOR BAR**

English

**Instruction Sheet (U.S.)**

English