

52475 ✓ ACTIVE

PLASTI-GRIP

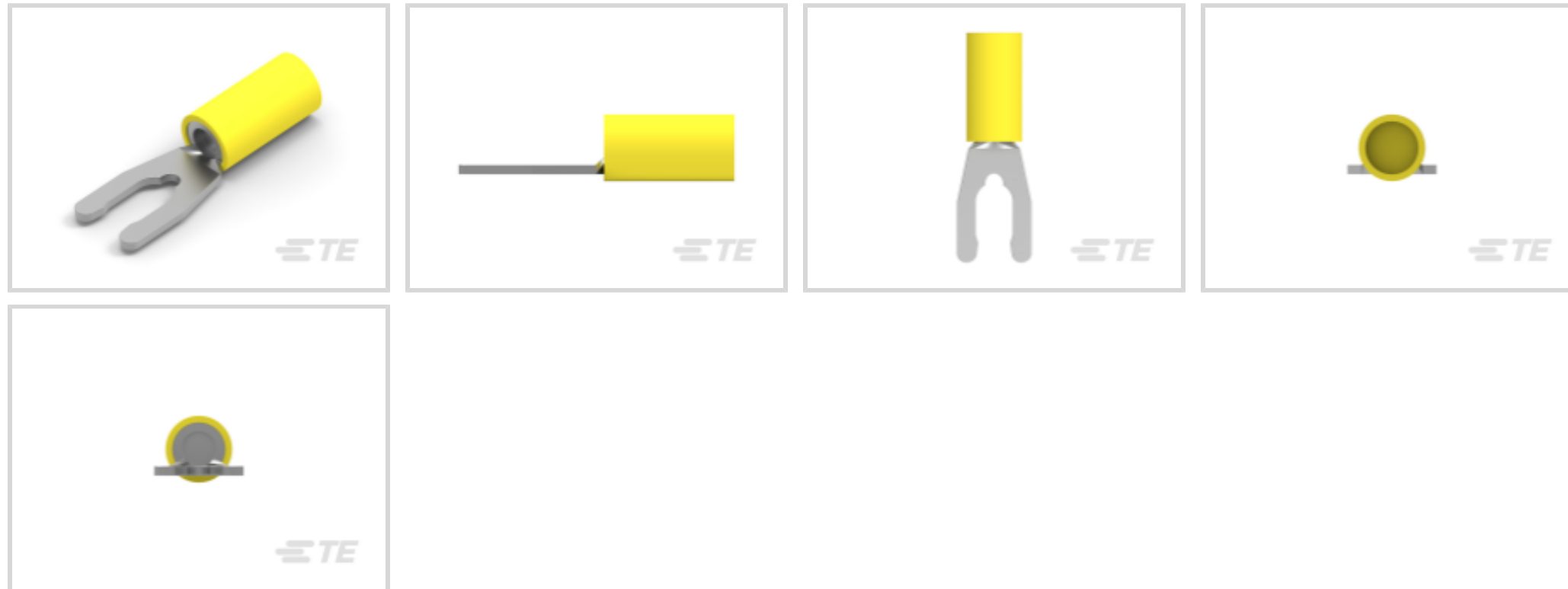
TE Internal #: 52475

Spring Spade Terminal, 12 – 10 AWG, #10 Stud, 4.82 mm [.19 in]
Stud Diameter, Closed Barrel, Straight, Tin Plating, Partially
Insulated, PLASTI-GRIP

[View on TE.com >](#)



Terminals & Splices > Spade Terminals



Spade Terminal Type: **Spring Spade Terminal**

Wire Size: **5180 – 13100 CMA**

Stud Size: **#10**

Features

Configuration Features

Number of Holes	1
-----------------	---

Mechanical Attachment

Wire Insulation Support	With
-------------------------	------

Electrical Characteristics

Voltage Rating	600 V
----------------	-------

Industry Standards

Government Qualified Terminal	No
-------------------------------	----

Body Features

Insulation Sleeve Color	Yellow
Stripe Color	Yellow

Packaging Features

Packaging Quantity	500
Packaging Method	Loose Piece

Product Type Features

--	--



Stud Size	#10
Sealable	No
Wire Insulation Support Retention Type	Insulation Support

Contact Features

Spade Terminal Type	Spring Spade Terminal
Barrel Type	Closed
Terminal Orientation	Straight
Terminal Plating Material	Tin

Dimensions

Wire Size	5180 – 13100 CMA
Stud Diameter	4.82 mm [.19 in]
Tongue Thickness	1.07 mm [.042 in]
Product Length	30.96 mm [1.219 in]
Compatible Insulation Diameter (Max)	5.08 mm [.2 in]
Compatible Insulation Diameter Range	2.67 – 5.08 mm [.105 – .2 in]

Usage Conditions

Insulation Option	Partially Insulated
-------------------	---------------------

Operation/Application

Compatible With Wire Base Material	Copper
Compatible With Wire Plating Material	Tin

Other

EU RoHS Compliance	Compliant
EU ELV Compliance	Compliant

Product Compliance

[For compliance documentation, visit the product page on TE.com>](#)

EU RoHS Directive 2011/65/EU	Compliant
EU ELV Directive 2000/53/EC	Compliant
China RoHS 2 Directive MIIT Order No 32, 2016	No Restricted Materials Above Threshold
EU REACH Regulation (EC) No. 1907/2006	Current ECHA Candidate List: JUNE 2024 (241) Candidate List Declared Against: JUNE 2024 (241) Does not contain REACH SVHC

Halogen Content

Not Low Halogen - contains Br or Cl > 900 ppm.

Solder Process Capability

Not applicable for solder process capability

Product Compliance Disclaimer

This information is provided based on reasonable inquiry of our suppliers and represents our current actual knowledge based on the information they provided. This information is subject to change. The part numbers that TE has identified as EU RoHS compliant have a maximum concentration of 0.1% by weight in homogenous materials for lead, hexavalent chromium, mercury, PBB, PBDE, DBP, BBP, DEHP, DIBP, and 0.01% for cadmium, or qualify for an exemption to these limits as defined in the Annexes of Directive 2011/65/EU (RoHS2). Finished electrical and electronic equipment products will be CE marked as required by Directive 2011/65/EU. Components may not be CE marked. Additionally, the part numbers that TE has identified as EU ELV compliant have a maximum concentration of 0.1% by weight in homogenous materials for lead, hexavalent chromium, and mercury, and 0.01% for cadmium, or qualify for an exemption to these limits as defined in the Annexes of Directive 2000/53/EC (ELV). Regarding the REACH Regulation, the information TE provides on SVHC in articles for this part number is based on the latest European Chemicals Agency (ECHA) 'Guidance on requirements for substances in articles' posted at this URL: <https://echa.europa.eu/guidance-documents/guidance-on-reach>

Compatible Parts



TE Part # 169404
CERTI-LOK DIE



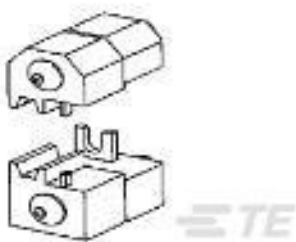
TE Part # 539691-2
ERGO DIE R.B.Y



TE Part # 2063030-1
SDE DIESET, RBY, UL



TE Part # 169400
CERTI-LOK FRAME W/O DIES



TE Part # 47808-6
DIES PIDG 12-10 DIE SET



TE Part # 58423-1
DIE, RBY IS9252



TE Part # 58433-3
PRO CR ASSY, RBY IS9252



TE Part # 59824-1
TETRA-CRIMP PIDG PG FASTON 22-10 ASSY

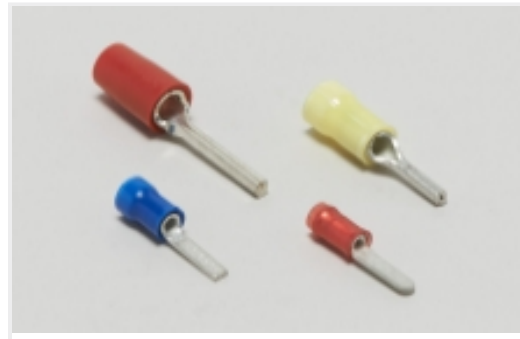


TE Part # 59239-4
HHHT PIDG PG 12-10 ASSY

Also in the Series | **PLASTI-GRIP**



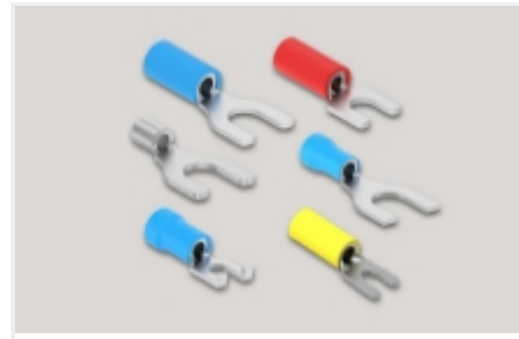
Compression Connectors(3)



Crimp Wire Pins, Tabs & Ferrules(20)



Ring Terminals(310)

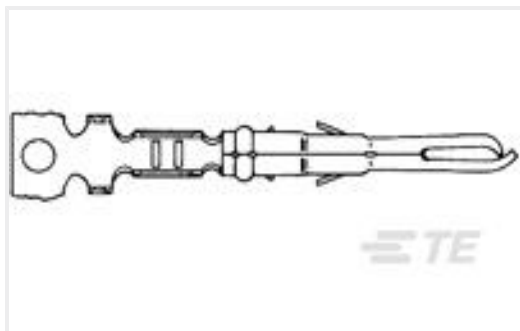


Spade Terminals(159)



Splices(45)

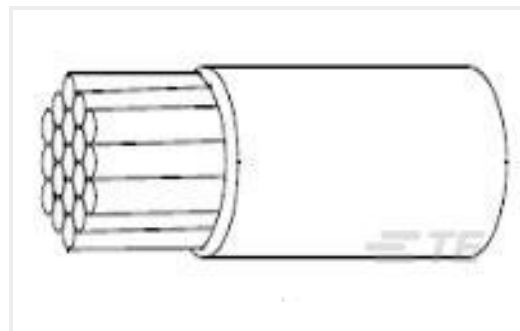
Customers Also Bought



TE Part #350967-2
MR PIN AU/PHBZ



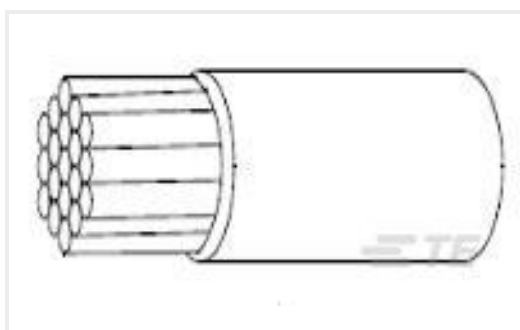
TE Part #3-66104-0
III+ SKT,24-20,TIN ,STRIP



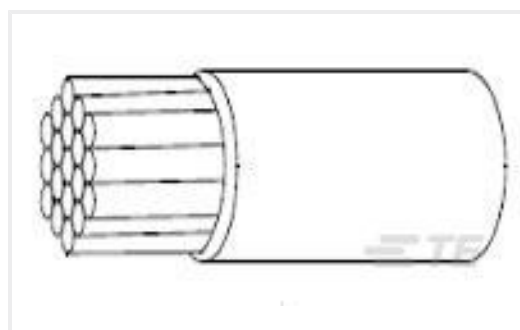
TE Part #216208-001
22759/32-22-4



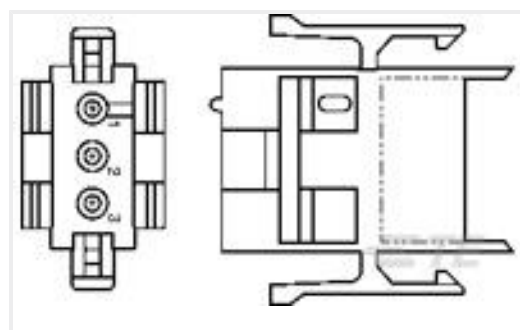
TE Part #130552
TERM, RING, SOLIS, 6, M5



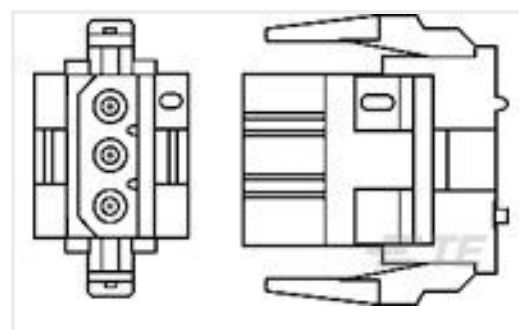
TE Part #216288-002
22759/32-22-5



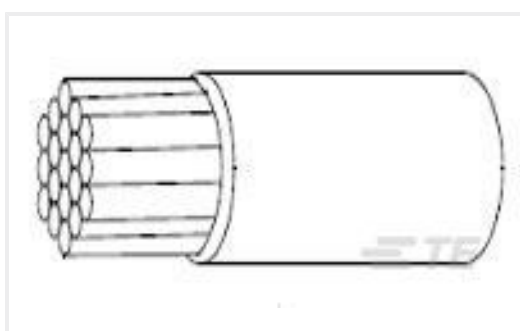
TE Part #216367-001
22759/33-22-9



TE Part #1-640507-0
02P MR II CAP HSG



TE Part #1-640517-0
02P MR II PLUG HSG



TE Part #216385-001
22759/32-20-0



TE Part #CA3865-000
22759/32-16-2CS2621

Documents



Product Drawings

[TERMINAL,PG SPR SPD 12-10 10](#)

English

CAD Files

[3D PDF](#)

3D

Customer View Model

[ENG_CVM_CVM_52475_S.2d_dxf.zip](#)

English

Customer View Model

[ENG_CVM_CVM_52475_S.3d_igs.zip](#)

English

Customer View Model

[ENG_CVM_CVM_52475_S.3d_stp.zip](#)

English

By downloading the CAD file I accept and agree to the [Terms and Conditions](#) of use.

Product Specifications

[Application Specification](#)

English

Agency Approvals

[UL Report](#)

English

[UL Report](#)

English