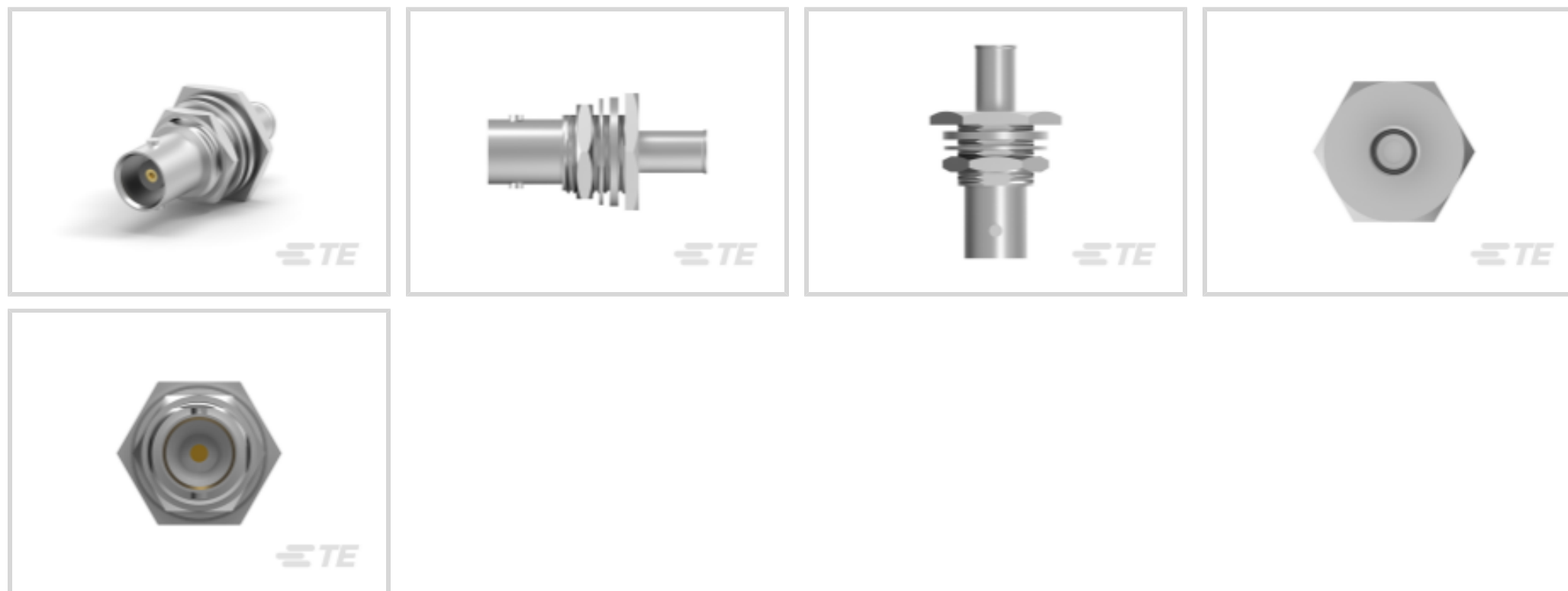




Connectors > RF Connectors > Coax Connectors



RF Interface: **BNC**

RF Connector Style: **Jack**

RF Connector Mated Outer Diameter (Approximate): **14.53 mm [ .572 in ]**

Impedance: **50 Ω**

Compatible With RF Cable Type: **RG 58C, RG 141A, RG 58, RG 141, RG 58B, RG 58A**

### Features

#### Usage Conditions

Insulation Option	Uninsulated
-------------------	-------------

#### Other

Coupling Nut Base Material	Brass
Grade	Commercial
Dielectric Material	Polypropylene
EU RoHS Compliance	Compliant with Exemptions
EU ELV Compliance	Compliant with Exemptions

#### Contact Features

Crimp Type	Dual Crimp
RF Connector Center Contact Underplating Material	Nickel
	1080 μin
RF Connector Center Contact Plating Material	Gold
RF Connector Center Contact Material	Beryllium Copper

#### Mechanical Attachment

Panel Attachment Style	Rear Mount
RF Connector Coupling Mechanism	Bayonet

Connector Mounting Type	Panel Mount
RF Contact Captivation Method	Mechanical
Detent	With

### Product Type Features

Connector Seal & Plug Type	Gasket
RF Interface	BNC
RF Connector Style	Jack
Compatible With RF Cable Type	RG 58C, RG 141A, RG 58, RG 141, RG 58B, RG 58A
Connector System	Cable-to-Board
Sealable	Yes
Connector & Contact Terminates To	Wire & Cable

### Dimensions

RF Connector Mated Outer Diameter (Approximate)	14.53 mm[.572 in]
---	-------------------

### Electrical Characteristics

Impedance	50 $\Omega$
-----------	-------------

### Operation/Application

Operating Frequency	4 GHz
---------------------	-------

### Configuration Features

Number of Positions	1
Number of Coaxial Contacts	1

### Body Features

Cable Connector Orientation	Straight
Body Material	Zinc
Body Plating Material	Nickel

### Termination Features

Termination Method to Wire & Cable	Crimp
------------------------------------	-------

### Packaging Features

Packaging Method	Carton
------------------	--------

### Product Compliance

[For compliance documentation, visit the product page on TE.com>](#)



EU RoHS Directive 2011/65/EU	Compliant with Exemptions
EU ELV Directive 2000/53/EC	Compliant with Exemptions
China RoHS 2 Directive MIIT Order No 32, 2016	Restricted Materials Above Threshold
EU REACH Regulation (EC) No. 1907/2006	<p>Current ECHA Candidate List: JUNE 2024 (241)</p> <p>Candidate List Declared Against: JUL 2021 (219)</p> <p>SVHC &gt; Threshold:</p> <p>Pb (3.7% in component part)</p> <p><b>Article Safe Usage Statements:</b>                      Do not eat, drink or smoke when using this product. Wash thoroughly after handling. Recycle if possible and dispose of the article by following all applicable governmental regulations relevant to your geographic location.</p>
Halogen Content	Not Yet Reviewed for halogen content
Solder Process Capability	Not applicable for solder process capability

Product Compliance Disclaimer

This information is provided based on reasonable inquiry of our suppliers and represents our current actual knowledge based on the information they provided. This information is subject to change. The part numbers that TE has identified as EU RoHS compliant have a maximum concentration of 0.1% by weight in homogenous materials for lead, hexavalent chromium, mercury, PBB, PBDE, DBP, BBP, DEHP, DIBP, and 0.01% for cadmium, or qualify for an exemption to these limits as defined in the Annexes of Directive 2011/65/EU (RoHS2). Finished electrical and electronic equipment products will be CE marked as required by Directive 2011/65/EU. Components may not be CE marked. Additionally, the part numbers that TE has identified as EU ELV compliant have a maximum concentration of 0.1% by weight in homogenous materials for lead, hexavalent chromium, and mercury, and 0.01% for cadmium, or qualify for an exemption to these limits as defined in the Annexes of Directive 2000/53/EC (ELV). Regarding the REACH Regulation, the information TE provides on SVHC in articles for this part number is based on the latest European Chemicals Agency (ECHA) 'Guidance on requirements for substances in articles' posted at this URL: <https://echa.europa.eu/guidance-documents/guidance-on-reach>

## Customers Also Bought

TE Part #5-103976-4  
4X5 MTE RCPT SR PLAIN .100CL

TE Part #1-104068-3  
34 SYSTEM 50 HDR DRST SHRD

TE Part #2-1761465-2  
PCI Express RA assy 5.8mm slot 2.3 mm pc

TE Part #6648239-2  
JUMPER,CRN SKT

TE Part #6-1437622-0  
KN700B1/4=KNOB BLACK KNURL 1/4

TE Part #2964314001  
MT1000-3/64-0-SP

TE Part #6648239-1  
JUMPER,CRN SKT

TE Part #178323-5  
DYNAMIC D3100D HDR V 6P ASSY SN



## Documents

### Product Drawings

[JACK,BULKHEAD,COM'L,BNC](#)

English

### CAD Files

[3D PDF](#)

3D

Customer View Model

[ENG\\_CVM\\_CVM\\_5228980-5\\_A.2d\\_dxf.zip](#)

English

Customer View Model

[ENG\\_CVM\\_CVM\\_5228980-5\\_A.3d\\_igs.zip](#)

English

Customer View Model

[ENG\\_CVM\\_CVM\\_5228980-5\\_A.3d\\_stp.zip](#)

English

By downloading the CAD file I accept and agree to the [Terms and Conditions](#) of use.

### Datasheets & Catalog Pages

[BNC Connectors](#)

English

### Product Specifications

[Product Specification](#)

English

[Commercial BNC Coaxial Bulkhead Jacks](#)

English