

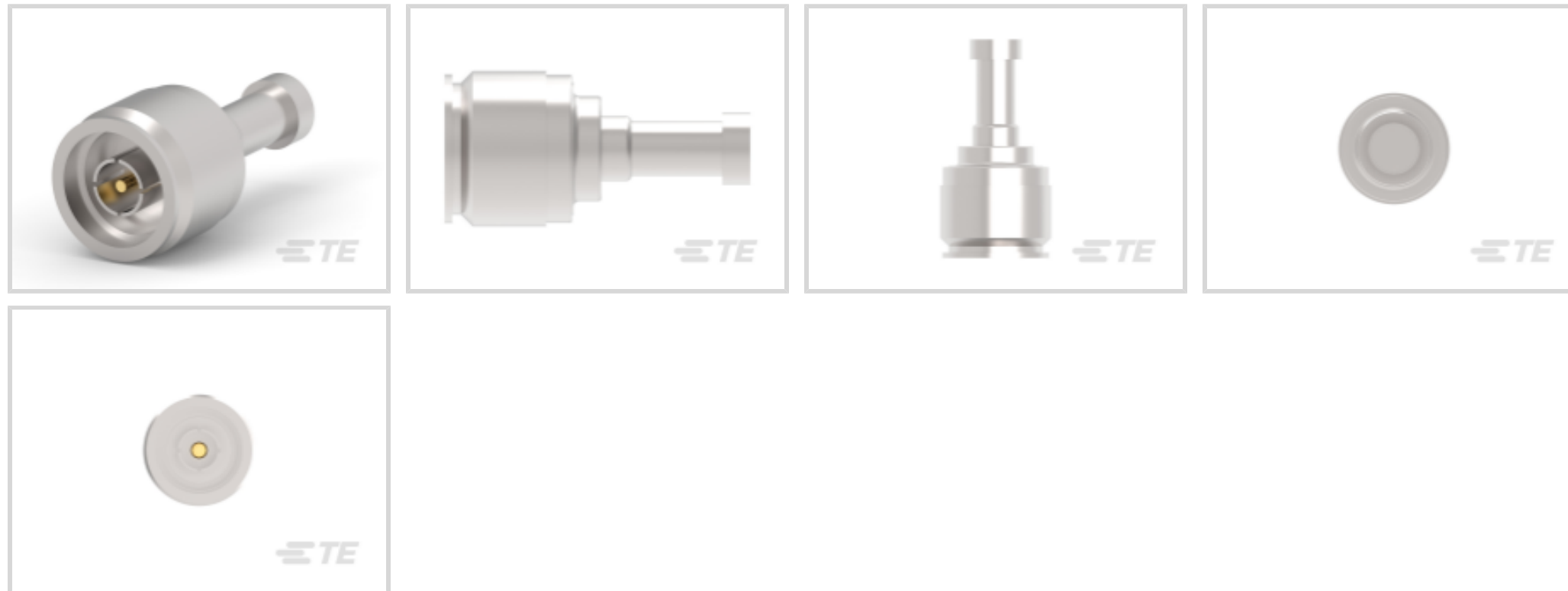


TE Internal #: 5225392-7

N Type Connector, Plug, 50 ohm, Snap-On, 11 GHz, Cable-to-Board, 1 Position, Wire & Cable, Panel Mount, -55 – 85 °C [-67 – 185 °F], Crimp, Straight

[View on TE.com >](#)

Connectors > RF Connectors > Coax Connectors



RF Interface: **N Type**

RF Connector Style: **Plug**

RF Connector Mated Outer Diameter (Approximate): **19.05 mm [ .75 in ]**

Impedance: **50 Ω**

Compatible With RF Cable Type: **RG 58C, RG 58A**

## Features

### Other

Grade	Military
Dielectric Material	PTFE
EU RoHS Compliance	Compliant with Exemptions
EU ELV Compliance	Compliant with Exemptions

### Contact Features

Crimp Type	Dual Crimp
RF Connector Contact Configuration	Not Captivated
RF Connector Center Contact Underplating Material	Copper
RF Connector Center Contact Plating Material	Gold
RF Connector Center Contact Material	Brass

### Product Type Features

RF Interface	N Type
RF Connector Style	Plug
Compatible With RF Cable Type	RG 58C, RG 58A



Connector System	Cable-to-Board
------------------	----------------

Sealable	No
----------	----

Connector & Contact Terminates To	Wire & Cable
-----------------------------------	--------------

### Dimensions

RF Connector Mated Outer Diameter (Approximate)	19.05 mm[.75 in]
---	------------------

### Electrical Characteristics

Impedance	50 Ω
-----------	------

### Mechanical Attachment

RF Connector Coupling Mechanism	Snap-On
---------------------------------	---------

Connector Mounting Type	Panel Mount
-------------------------	-------------

RF Contact Captivation Method	Mechanical
-------------------------------	------------

Detent	Without
--------	---------

### Operation/Application

Operating Frequency	11 GHz
---------------------	--------

### Configuration Features

Number of Positions	1
---------------------	---

Number of Coaxial Contacts	1
----------------------------	---

### Body Features

Cable Connector Orientation	Straight
-----------------------------	----------

Body Material	Brass
---------------	-------

Body Plating Material	Silver
-----------------------	--------

### Termination Features

Termination Method to Wire & Cable	Crimp
------------------------------------	-------

### Usage Conditions

Operating Temperature Range	-55 – 85 °C[-67 – 185 °F]
-----------------------------	---------------------------

### Packaging Features

Packaging Method	Carton
------------------	--------

### Product Compliance

[For compliance documentation, visit the product page on TE.com>](#)

EU RoHS Directive 2011/65/EU	Compliant with Exemptions
------------------------------	---------------------------

EU ELV Directive 2000/53/EC

Compliant with Exemptions

China RoHS 2 Directive MIIT Order No 32, 2016

Restricted Materials Above Threshold

EU REACH Regulation (EC) No. 1907/2006

Current ECHA Candidate List: JUNE 2024 (241)

Candidate List Declared Against: JUL 2021 (219)

SVHC &gt; Threshold:

Pb (3.7% in Component Part)

**Article Safe Usage Statements:**

Do not eat, drink or smoke when using this product. Wash thoroughly after handling. Recycle if possible and dispose of the article by following all applicable governmental regulations relevant to your geographic location.

Halogen Content

Low Bromine/Chlorine - Br and Cl &lt; 900 ppm per homogenous material. Also BFR /CFR/PVC Free

Solder Process Capability

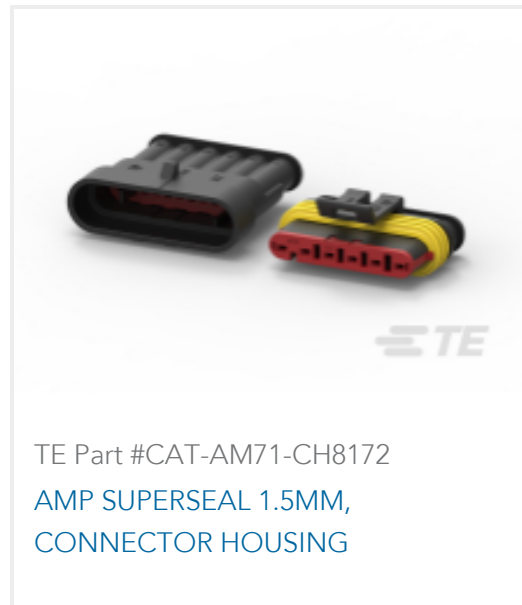
Not applicable for solder process capability

**Product Compliance Disclaimer**

This information is provided based on reasonable inquiry of our suppliers and represents our current actual knowledge based on the information they provided. This information is subject to change. The part numbers that TE has identified as EU RoHS compliant have a maximum concentration of 0.1% by weight in homogenous materials for lead, hexavalent chromium, mercury, PBB, PBDE, DBP, BBP, DEHP, DIBP, and 0.01% for cadmium, or qualify for an exemption to these limits as defined in the Annexes of Directive 2011/65/EU (RoHS2). Finished electrical and electronic equipment products will be CE marked as required by Directive 2011/65/EU. Components may not be CE marked. Additionally, the part numbers that TE has identified as EU ELV compliant have a maximum concentration of 0.1% by weight in homogenous materials for lead, hexavalent chromium, and mercury, and 0.01% for cadmium, or qualify for an exemption to these limits as defined in the Annexes of Directive 2000/53/EC (ELV). Regarding the REACH Regulation, the information TE provides on SVHC in articles for this part number is based on the latest European Chemicals Agency (ECHA) 'Guidance on requirements for substances in articles' posted at this URL: <https://echa.europa.eu/guidance-documents/guidance-on-reach>

**Compatible Parts**

## Customers Also Bought



## Documents

### Product Drawings

#### SERIES N PLUG

English

### CAD Files

#### 3D PDF

3D

#### Customer View Model

[ENG\\_CVM\\_CVM\\_5225392-7\\_B.2d\\_dxf.zip](#)

English

#### Customer View Model

[ENG\\_CVM\\_CVM\\_5225392-7\\_B.3d\\_igs.zip](#)

English

#### Customer View Model

[ENG\\_CVM\\_CVM\\_5225392-7\\_B.3d\\_stp.zip](#)

English

By downloading the CAD file I accept and agree to the [Terms and Conditions](#) of use.

### Product Specifications

#### Product Specification

English

#### Connector, Coaxial, Series N

English