

521596-1 ☐ SUPERSEDED



Ultra-Pod | Ultra-Pod 187

TE Internal #: 521596-1

TE Internal Description: ULTRA-POD 187 ASY REC 22-18 .187X.020

BR

ULTRA POD: Flag, Receptacle Assembly, Unplated, 0.187 inch

[View on TE.com >](#)

Terminals & Splices > Quick Disconnects > ULTRA POD: Flag, Receptacle Assembly, Unplated, 0.187 inch



Quick Disconnect Terminal Type: **Receptacle**

Wire Size: .32 – .82 mm²

Mating Tab Width: 4.75 mm [.187 in]

Mating Tab Thickness: .51 mm [.02 in]

[All ULTRA POD: Flag, Receptacle Assembly, Unplated, 0.187 inch \(0\)](#)

Features

Industry Standards

Compatible With Agency/Standards Products	UL
UL Flammability Rating	UL 94V-0

Termination Features

Product Terminates To	Wire & Cable
-----------------------	--------------

Configuration Features

Compatible With Wire & Cable Type	Discrete Wire
Connection Capacity	Single

Mechanical Attachment

Wire Insulation Support	With
-------------------------	------

Electrical Characteristics

Voltage Rating	600 V
----------------	-------

Body Features

--	--

Insulation Material	Nylon
---------------------	-------

Other

Barrel Color	Natural
--------------	---------

EU RoHS Compliance	Compliant
--------------------	-----------

EU ELV Compliance	Compliant
-------------------	-----------

Packaging Features

Packaging Quantity	2400
--------------------	------

Packaging Method	Strip/Reel
------------------	------------

Dimensions

Product Length	23.16 mm[.91 in]
----------------	------------------

Compatible Insulation Diameter Range	1.52 – 2.8 mm[.06 – .11 in]
--------------------------------------	-----------------------------

Terminal Material Thickness	.33 mm[.013 in]
-----------------------------	-----------------

Wire Size	.32 – .82 mm ²
-----------	---------------------------

Product Type Features

Insertion Force	Normal
-----------------	--------

Contact Features

Quick Disconnect Terminal Type	Receptacle
--------------------------------	------------

Mating Tab Width	4.75 mm[.187 in]
------------------	------------------

Mating Tab Thickness	.51 mm[.02 in]
----------------------	----------------

Terminal Orientation	Flag
----------------------	------

Contact Base Material	Brass
-----------------------	-------

Terminal Plating Material	Unplated
---------------------------	----------

Crimp Type	Tab-Lok
------------	---------

Barrel Type	Open
-------------	------

Usage Conditions

Insulation Option	Fully Insulated
-------------------	-----------------

Product Compliance

[For compliance documentation, visit the product page on TE.com>](#)

EU RoHS Directive 2011/65/EU	Compliant
------------------------------	-----------

EU ELV Directive 2000/53/EC	Compliant
-----------------------------	-----------

China RoHS 2 Directive MIIT Order No 32, 2016	No Restricted Materials Above Threshold
---	---

EU REACH Regulation (EC) No. 1907/2006

Current ECHA Candidate List: JUNE 2024 (241)

Candidate List Declared Against: JUNE 2022 (224)

Does not contain REACH SVHC

Halogen Content

Low Halogen - Br, Cl, F, I < 900 ppm per homogenous material. Also BFR/CFR/PVC Free

Solder Process Capability

Not applicable for solder process capability

Product Compliance Disclaimer

This information is provided based on reasonable inquiry of our suppliers and represents our current actual knowledge based on the information they provided. This information is subject to change. The part numbers that TE has identified as EU RoHS compliant have a maximum concentration of 0.1% by weight in homogenous materials for lead, hexavalent chromium, mercury, PBB, PBDE, DBP, BBP, DEHP, DIBP, and 0.01% for cadmium, or qualify for an exemption to these limits as defined in the Annexes of Directive 2011/65/EU (RoHS2). Finished electrical and electronic equipment products will be CE marked as required by Directive 2011/65/EU. Components may not be CE marked. Additionally, the part numbers that TE has identified as EU ELV compliant have a maximum concentration of 0.1% by weight in homogenous materials for lead, hexavalent chromium, and mercury, and 0.01% for cadmium, or qualify for an exemption to these limits as defined in the Annexes of Directive 2000/53/EC (ELV). Regarding the REACH Regulation, the information TE provides on SVHC in articles for this part number is based on the latest European Chemicals Agency (ECHA) 'Guidance on requirements for substances in articles' posted at this URL: <https://echa.europa.eu/guidance-documents/guidance-on-reach>

Also in the Series | **Ultra-Pod 187**



Quick Disconnects(22)

Customers Also Bought



TE Part #2178029-2
2P ST-TIMER GREEN, V0



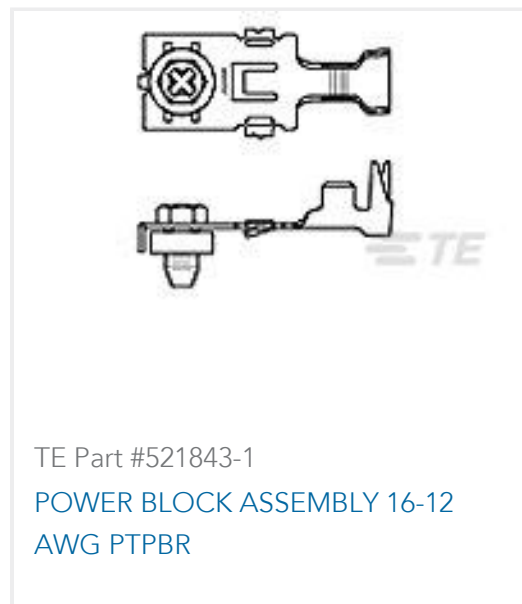
TE Part #1-2232265-1
PTL 1X2 PLUG HSG HOT WIRE KEY A BLK



TE Part #1-926984-1
STD TIMER CONTACT



TE Part #1-2178029-3
3P ST-TIMER GEH V0



Documents

Product Drawings

[ULTRA-POD 187 ASY REC 22-18 .187X.020 BR](#)

English

CAD Files

[3D PDF](#)

3D

Customer View Model

[ENG_CVM_CVM_521596-1_D_c-521596-1-d.2d_dxf.zip](#)

English

Customer View Model

[ENG_CVM_CVM_521596-1_D_c-521596-1-d.3d_igs.zip](#)

English

Customer View Model

[ENG_CVM_CVM_521596-1_D_c-521596-1-d.3d_stp.zip](#)

English

By downloading the CAD file I accept and agree to the [Terms and Conditions](#) of use.

Datasheets & Catalog Pages

[Ultra-Fast and Ultra Fast Plus](#)

English

Product Specifications

[Application Specification](#)

English

Agency Approvals

[UL Report](#)



English

UL Report

English