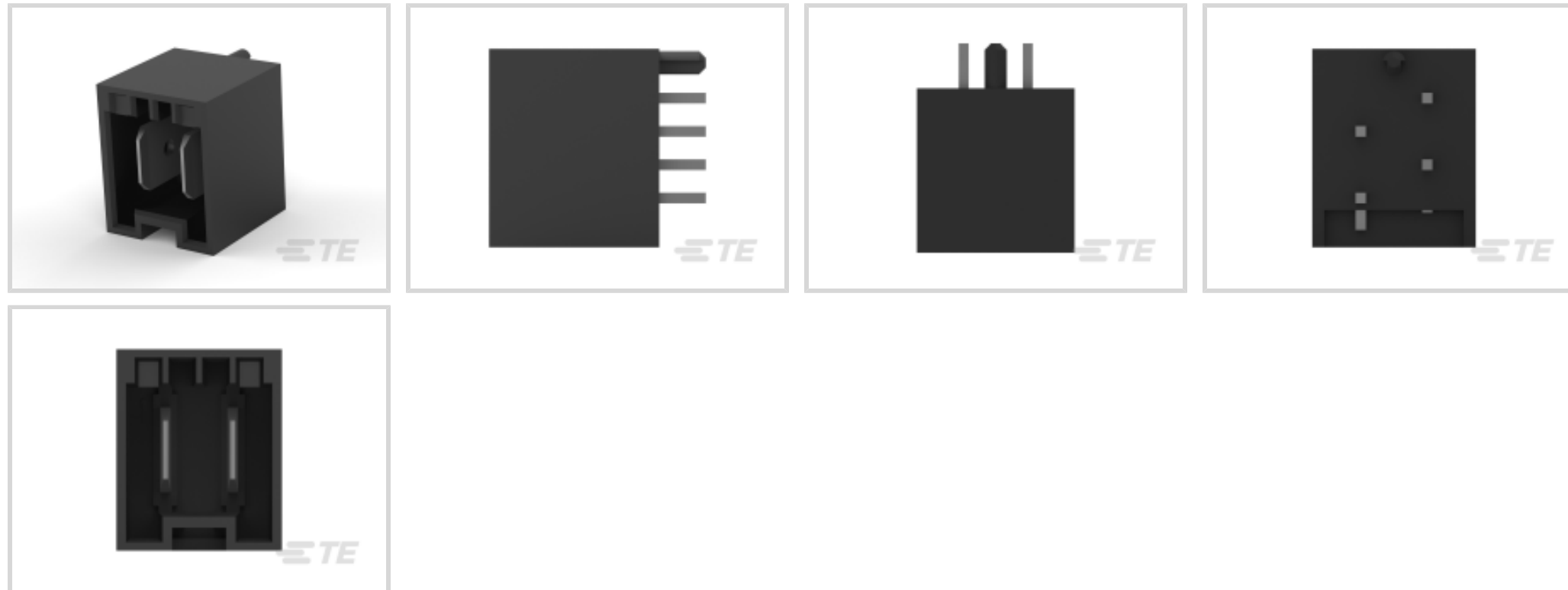




Connectors > PCB Connectors > PCB Headers & Receptacles



PCB Connector Assembly Type: **PCB Mount Header**

PCB Mount Orientation: **Vertical**

Connector System: **Wire-to-Board**

Number of Positions: **2**

Number of Rows: **1**

Features

Electrical Characteristics

Operating Voltage	250 VAC
-------------------	---------

Dimensions

Connector Width	14.9 mm[.587 in]
PCB Thickness (Recommended)	1.5 mm[.059 in]
Connector Height	12.8 mm[.5 in]
Connector Length	12.3 mm[.48 in]

Packaging Features

Packaging Quantity	208
Packaging Method	Box

Industry Standards

Compatible With Agency/Standards Products	UL
Compatible With Approved Standards Products	UL E28476
UL Flammability Rating	UL 94V-0



Mechanical Attachment

Mating Retention	With
Mating Alignment Type	Keyed
PCB Mount Alignment Type	Boss
PCB Mount Retention	Without
PCB Mount Alignment	With
Connector Mounting Type	Board Mount
Mating Alignment	With

Termination Features

Rectangular Termination Post & Tail Width	.8 mm[.032 in]
Rectangular Termination Post & Tail Thickness	.8 mm[.032 in]
Termination Post & Tail Length	3.5 mm[.14 in]
Termination Method to PCB	Through Hole - Solder

Contact Features

Contact Underplating Material	Nickel
Contact Underplating Material Thickness	1.3 μ m[51.18 μ in]
PCB Contact Termination Area Plating Material Finish	Matte
Contact Mating Area Plating Material Thickness	3.8 μ m[149.6 μ in]
Mating Tab Width	6.3 mm[.248 in]
PCB Contact Termination Area Plating Material Thickness	3.8 μ m[149.6 μ in]
Contact Layout	Inline
Contact Base Material	Brass
Mating Tab Thickness	.8 mm[.032 in]
PCB Contact Termination Area Plating Material	Tin
Contact Mating Area Plating Material Finish	Matte
Contact Mating Area Plating Material	Tin
Contact Type	Tab
Contact Current Rating (Max)	16 A

Housing Features

Housing Material	Nylon 6/6
Centerline (Pitch)	5 mm[.197 in]

Configuration Features

--	--



Keying & Polarized Position Locations	1C, 2D
PCB Mount Orientation	Vertical
Number of Positions	2
Number of Rows	1

Product Type Features

PCB Connector Assembly Type	PCB Mount Header
Connector System	Wire-to-Board
Header Type	Fully Shrouded
Sealable	No
Connector & Contact Terminates To	Printed Circuit Board

Body Features

Primary Product Color	Black
-----------------------	-------

Usage Conditions

Operating Temperature Range	-40 – 105 °C[-40 – 221 °F]
-----------------------------	----------------------------

Operation/Application

Circuit Application	Power
---------------------	-------

Other

EU RoHS Compliance	Compliant
EU ELV Compliance	Compliant

Product Compliance

[For compliance documentation, visit the product page on TE.com>](#)

EU RoHS Directive 2011/65/EU	Compliant
EU ELV Directive 2000/53/EC	Compliant
China RoHS 2 Directive MIIT Order No 32, 2016	No Restricted Materials Above Threshold
EU REACH Regulation (EC) No. 1907/2006	Current ECHA Candidate List: JUNE 2024 (241) Candidate List Declared Against: JUNE 2024 (241) Does not contain REACH SVHC
Halogen Content	BFR/CFR/PVC Free, but Br/Cl >900 ppm in other sources.
Solder Process Capability	Wave solder capable to 265°C

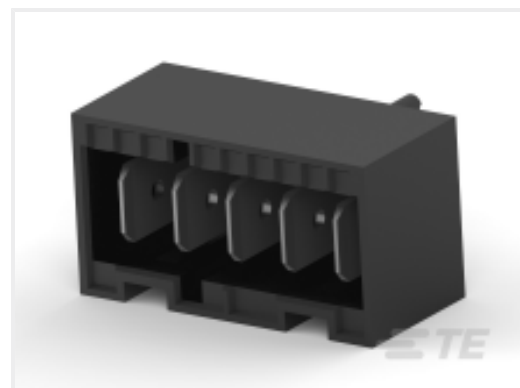
Product Compliance Disclaimer

This information is provided based on reasonable inquiry of our suppliers and represents our current actual knowledge based on the information they provided. This information is subject to change. The part numbers that TE has identified as EU RoHS compliant have a maximum concentration of 0.1% by weight in homogenous materials for lead, hexavalent chromium, mercury, PBB, PBDE, DBP, BBP, DEHP, DIBP, and 0.01% for cadmium, or qualify for an exemption to these limits as defined in the Annexes of Directive 2011/65/EU (RoHS2). Finished electrical and electronic equipment products will be CE marked as required by Directive 2011/65/EU. Components may not be CE marked. Additionally, the part numbers that TE has identified as EU ELV compliant have a maximum concentration of 0.1% by weight in homogenous materials for lead, hexavalent chromium, and mercury, and 0.01% for cadmium, or qualify for an exemption to these limits as defined in the Annexes of Directive 2000/53/EC (ELV). Regarding the REACH Regulation, the information TE provides on SVHC in articles for this part number is based on the latest European Chemicals Agency (ECHA) 'Guidance on requirements for substances in articles' posted at this URL: <https://echa.europa.eu/guidance-documents/guidance-on-reach>

Compatible Parts



TE Part # 3-521384-2
ASSY PL R/A RAST5 HEADER 02-E



TE Part # 521383-5
ASSY DIN VERT RAST5 HEADER05-B



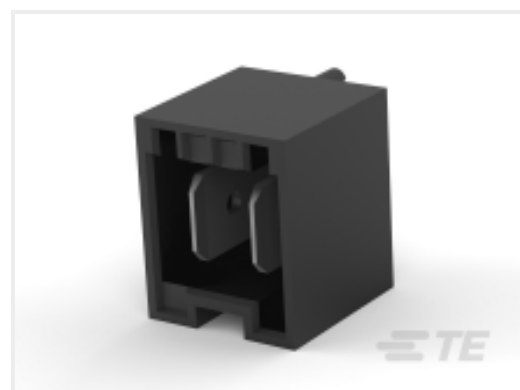
TE Part # 521384-2
ASSY PL R/A RAST5 HEADER 02-A



TE Part # 3-521383-5
ASSY DIN VERT RAST5 HEADER 5P



TE Part # 521383-3
ASSY DIN VERT RAST5 HEADER03-A



TE Part # 3-521383-2
ASSY DIN VERT RAST5 HEADER02-E



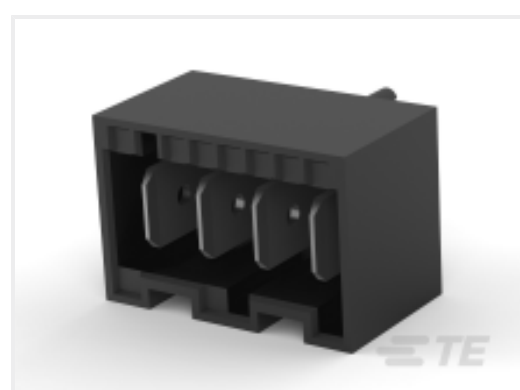
TE Part # 2-521384-2
ASSY PL R/A RAST5 HEADER 02-C



TE Part # 1-521384-2
ASSY PL R/A RAST5 HEADER 02-B



TE Part # 6-521384-2
ASSY PL R/A RAST5 HEADER 2P

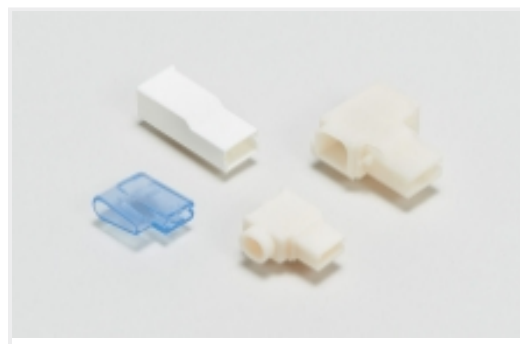


TE Part # 521383-4
ASSY DIN VERT RAST5 HEADER04-A

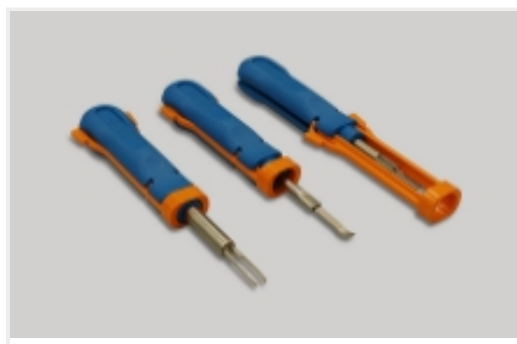
Also in the Series | [RAST 5 IDC Connectors](#)



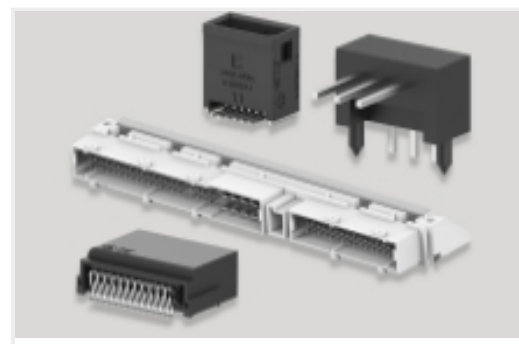
Connector Contacts(12)



Crimp Terminal Housings(39)



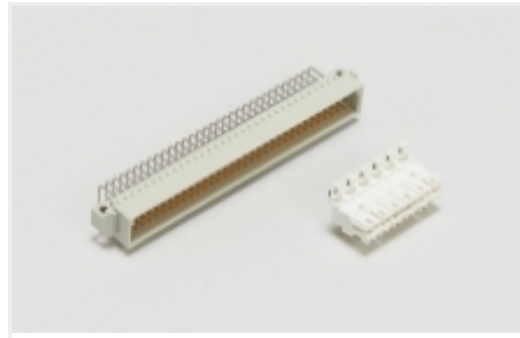
Insertion & Extraction Tools(1)



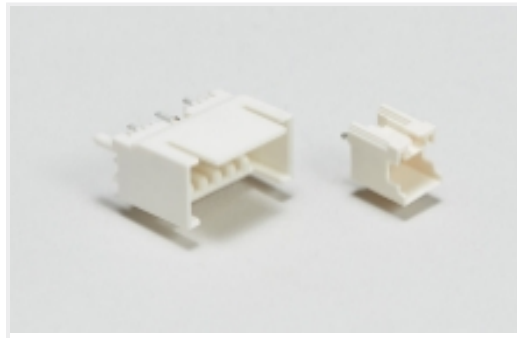
PCB Headers & Receptacles(417)



Power Contacts(3)



Standard Edge Connectors(31)



Wire-to-Board Headers & Receptacles (417)

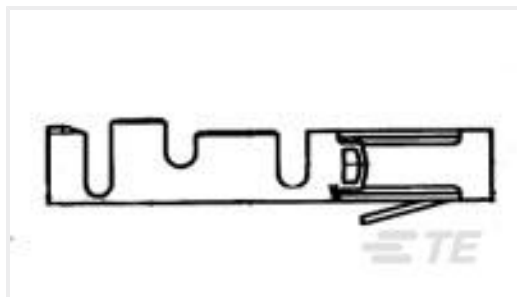
Customers Also Bought



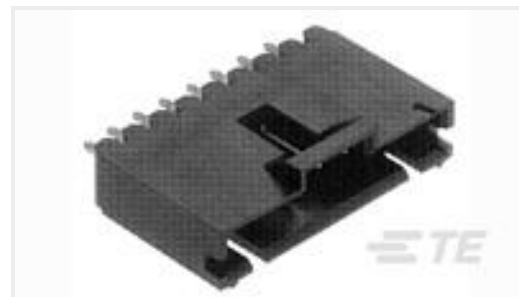
TE Part #1971946-2
2P, RAST 5 Tab Header, THV, RED



TE Part #7-1437719-5
T01-0570-S07-FEMALE REC PANEL-PCB STRT



TE Part #182206-2
MOD 2 TERMINAL



TE Part #5-103735-1
02 MTE HDR SRST LATCH .100CL



TE Part #ZPF00000000100308
732-8255-99



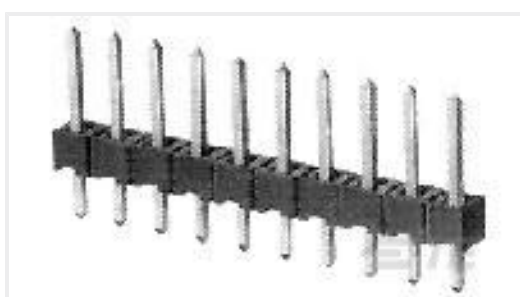
TE Part #1-487576-2
20 ZIFLINE 50 ASSY



TE Part #4-1437565-2
FSM4JSMATR=TACT SWITCH 6X6MIL



TE Part #CAT-C339-T547
Metal Chip Resistor: Current Sense



TE Part #825435-4
MOD 2 PINHDR 1X04P.

Documents



Product Drawings

[ASSY DIN VERT RAST5 HEADER02-A](#)

English

CAD Files

Customer View Model

[ENG_CVM_CVM_521383-2_D.2d_dxf.zip](#)

English

3D PDF

3D

Customer View Model

[ENG_CVM_CVM_521383-2_D.3d_igs.zip](#)

English

Customer View Model

[ENG_CVM_CVM_521383-2_D.3d_stp.zip](#)

English

By downloading the CAD file I accept and agree to the [Terms and Conditions](#) of use.

Datasheets & Catalog Pages

[RAST Connector System Catalog](#)

English

Product Specifications

[Product Specification](#)

English

Agency Approvals

[VDE Certificate](#)

English

[VDE Certificate](#)

English