

521213-1 x OBSOLETE

Ultra-Pod | Ultra-Pod 250

TE Internal #: 521213-1

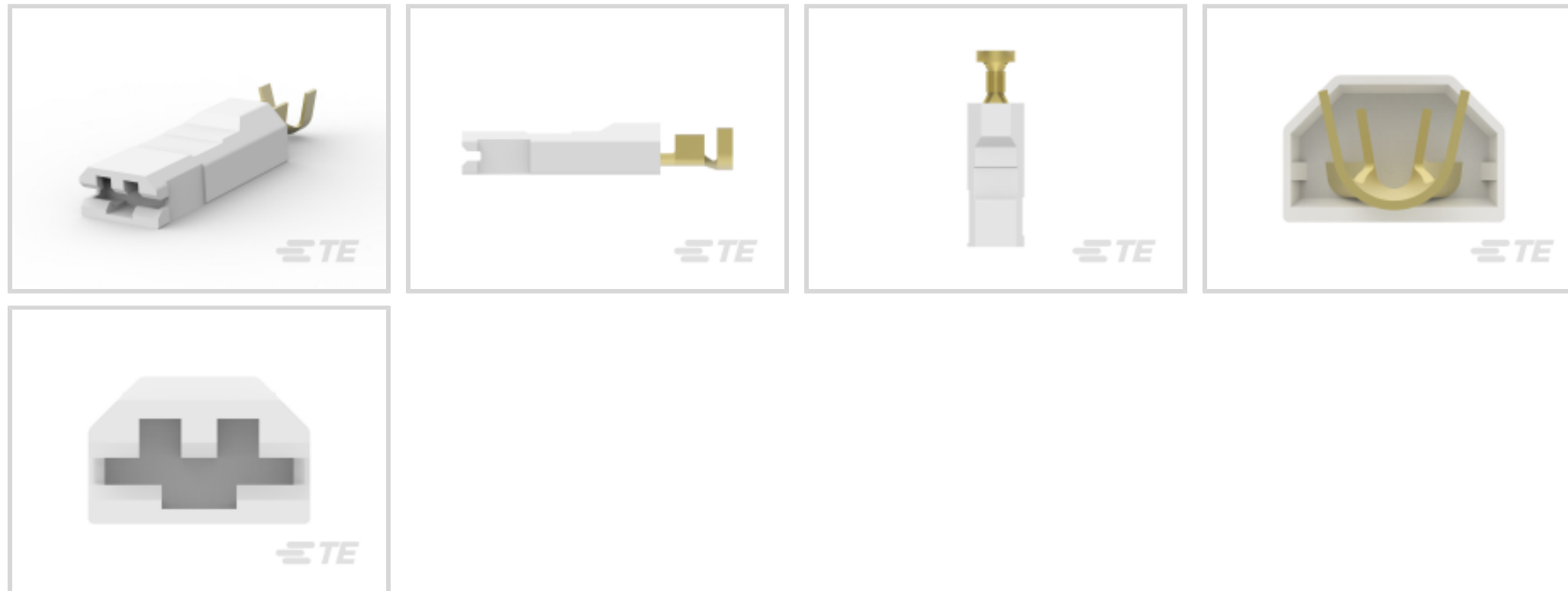
TE Internal Description: ULTRA-POD 250 ASSY REC 18-14 AWG BR

ULTRA POD: Straight, Receptacle Assembly, Unplated, .250 inch

[View on TE.com >](#)



Terminals & Splices > Quick Disconnects > ULTRA POD: Straight, Receptacle Assembly, Unplated, .250 inch



Quick Disconnect Terminal Type: **Receptacle**

Wire Size: .82 – 2.08 mm<sup>2</sup>

Mating Tab Width: 6.35 mm [ .25 in ]

Mating Tab Thickness: .81 mm [ .032 in ]

[All ULTRA POD: Straight, Receptacle Assembly, Unplated, .250 inch \(11\)](#)

## Features

### Industry Standards

Compatible With Agency/Standards Products	UL, CSA
UL Flammability Rating	UL 94V-2

### Termination Features

Product Terminates To	Wire & Cable
-----------------------	--------------

### Configuration Features

Compatible With Wire & Cable Type	Discrete Wire
Connection Capacity	Single

### Mechanical Attachment

Wire Insulation Support	With
-------------------------	------

### Electrical Characteristics

Voltage Rating	600 V
----------------	-------

### Body Features

Insulation Material	Nylon
---------------------	-------

### Other

Barrel Color	Natural
EU RoHS Compliance	Compliant
EU ELV Compliance	Compliant

### Packaging Features

Packaging Quantity	2000
Packaging Method	Strip/Reel

### Dimensions

Product Length	33.53 mm[1.32 in]
Compatible Insulation Diameter Range	2.79 – 4.57 mm[.11 – .18 in]
Terminal Material Thickness	.41 mm[.016 in]
Wire Size	.82 – 2.08 mm <sup>2</sup>

### Product Type Features

Insertion Force	Low
-----------------	-----

### Contact Features

Quick Disconnect Terminal Type	Receptacle
Mating Tab Width	6.35 mm[.25 in]
Mating Tab Thickness	.81 mm[.032 in]
Terminal Orientation	Straight
Contact Base Material	Brass
Terminal Plating Material	Unplated
Crimp Type	F-Crimp
Barrel Type	Open

### Usage Conditions

Insulation Option	Fully Insulated
-------------------	-----------------

### Product Compliance

[For compliance documentation, visit the product page on TE.com>](#)

EU RoHS Directive 2011/65/EU	Compliant
EU ELV Directive 2000/53/EC	Compliant
China RoHS 2 Directive MIIT Order No 32, 2016	No Restricted Materials Above Threshold
EU REACH Regulation (EC) No. 1907/2006	Current ECHA Candidate List: JUNE 2024 (241)

Candidate List Declared Against: JUNE 2022 (224)

Does not contain REACH SVHC

Halogen Content

BFR/CFR/PVC Free, but Br/Cl >900 ppm in other sources.

Solder Process Capability

Not applicable for solder process capability

Product Compliance Disclaimer

This information is provided based on reasonable inquiry of our suppliers and represents our current actual knowledge based on the information they provided. This information is subject to change. The part numbers that TE has identified as EU RoHS compliant have a maximum concentration of 0.1% by weight in homogenous materials for lead, hexavalent chromium, mercury, PBB, PBDE, DBP, BBP, DEHP, DIBP, and 0.01% for cadmium, or qualify for an exemption to these limits as defined in the Annexes of Directive 2011/65/EU (RoHS2). Finished electrical and electronic equipment products will be CE marked as required by Directive 2011/65/EU. Components may not be CE marked. Additionally, the part numbers that TE has identified as EU ELV compliant have a maximum concentration of 0.1% by weight in homogenous materials for lead, hexavalent chromium, and mercury, and 0.01% for cadmium, or qualify for an exemption to these limits as defined in the Annexes of Directive 2000/53/EC (ELV). Regarding the REACH Regulation, the information TE provides on SVHC in articles for this part number is based on the latest European Chemicals Agency (ECHA) 'Guidance on requirements for substances in articles' posted at this URL: <https://echa.europa.eu/guidance-documents/guidance-on-reach>

Also in the Series | **Ultra-Pod 250**



Insertion & Extraction Tools(2)



Quick Disconnects(43)

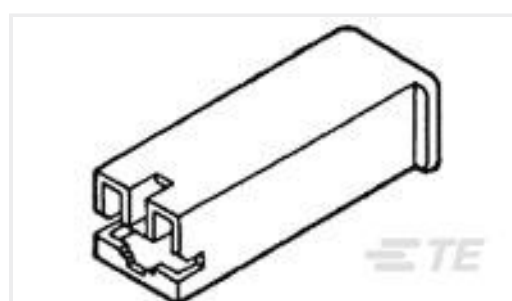
Customers Also Bought



TE Part #640457-3  
03P MTA100 HDR ASSY SQ R/A F/L



TE Part #520971-4  
ULTRA-POD 250 ASY REC 18-14 AWG TPBR



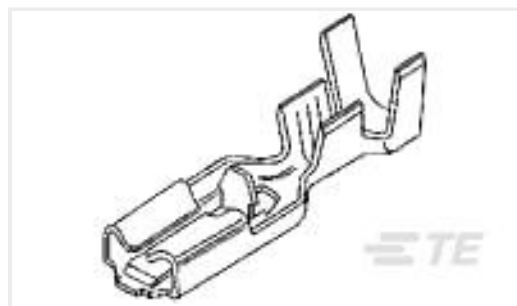
TE Part #2-172076-1  
250 HSG. PL MKII REC. NAT



TE Part #1-154719-0  
PL 250 REC HSG 1P NYLON NAT



TE Part #1909782-1  
BOARD TO WIRE WAFER 1.2MM TOP  
ENTRY



TE Part #63239-1  
POSITIVE LOCK 250 REC 12-10 AWG  
TPBR



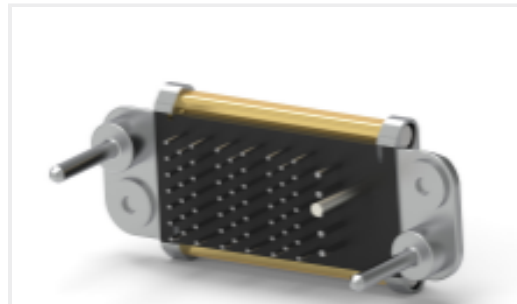
TE Part #1909784-1  
WIRE TO BOARD TERMINAL 1.2MM  
TOP ENTRY



TE Part #1909783-1  
WIRE TO BOARD HOUSING 1.2MM  
TOP ENTRY



TE Part #52263  
TERMINAL R PG 8 10



TE Part #6646158-1  
CONNECTOR, PIN, DOMINO

## Documents

### CAD Files

#### 3D PDF

3D

#### Customer View Model

[ENG\\_CVM\\_CVM\\_521213-1\\_G.2d\\_dxf.zip](#)

English

#### Customer View Model

[ENG\\_CVM\\_CVM\\_521213-1\\_G.3d\\_igs.zip](#)

English

#### Customer View Model

[ENG\\_CVM\\_CVM\\_521213-1\\_G.3d\\_stp.zip](#)

English

By downloading the CAD file I accept and agree to the [Terms and Conditions](#) of use.

### Datasheets & Catalog Pages

#### Ultra-Fast and Ultra Fast Plus

English

### Product Specifications

#### Application Specification

English

#### Application Specification

English

### Agency Approvals

#### Agency Approval Document

English

