

521085-1 ✓ ACTIVE

Timer Connector System

TE Internal #: 521085-1

Receptacle, Receptacle, 7 Position, Straight, UL 94V-2, Natural, Nylon, Cable Mount (Free-Hanging), Timer Connector System, Crimp Terminal Housings

[View on TE.com >](#)



Terminals & Splices > Terminal Housings, Insulation Sleeves & Blocks > Crimp Terminal Housings



Terminal Type: **Receptacle**

Connector & Housing Type: **Receptacle**

Number of Positions: **7**

Terminal Orientation: **Straight**

UL Flammability Rating: **UL 94V-2**

Features

Packaging Features

Packaging Quantity	1
Packaging Method	Carton

Mechanical Attachment

Mating Alignment Type	Polarization
Mating Retention Type	Latch
Mating Alignment	With
Connector Mounting Type	Cable Mount (Free-Hanging)

Product Type Features

Sealable	No
Connector System	Wire-to-Wire
Connector & Housing Type	Receptacle

Configuration Features

Number of Positions	7
---------------------	---



Body Features

Primary Product Color	Natural
-----------------------	---------

Contact Features

Terminal Type	Receptacle
Terminal Orientation	Straight
Contact Mating Retention	With

Housing Features

Housing Material	Nylon
Centerline (Pitch)	5.59 mm [.22 in]

Usage Conditions

Operating Temperature Range	-40 – 105 °C [-40 – 221 °F]
-----------------------------	-----------------------------

Industry Standards

UL Flammability Rating	UL 94V-2
------------------------	----------

Other

EU RoHS Compliance	Compliant
EU ELV Compliance	Compliant

Product Compliance

[For compliance documentation, visit the product page on TE.com>](#)

EU RoHS Directive 2011/65/EU	Compliant
EU ELV Directive 2000/53/EC	Compliant
China RoHS 2 Directive MIIT Order No 32, 2016	No Restricted Materials Above Threshold
EU REACH Regulation (EC) No. 1907/2006	Current ECHA Candidate List: JUNE 2024 (241) Candidate List Declared Against: JUNE 2024 (241) Does not contain REACH SVHC
Halogen Content	Low Halogen - Br, Cl, F, I < 900 ppm per homogenous material. Also BFR/CFR/PVC Free
Solder Process Capability	Not applicable for solder process capability

Product Compliance Disclaimer

This information is provided based on reasonable inquiry of our suppliers and represents our current actual knowledge based on the information they provided. This information is subject to change. The part numbers that TE has identified as EU RoHS compliant have a maximum concentration of 0.1% by weight in homogenous materials for lead, hexavalent

chromium, mercury, PBB, PBDE, DBP, BBP, DEHP, DIBP, and 0.01% for cadmium, or qualify for an exemption to these limits as defined in the Annexes of Directive 2011/65/EU (RoHS2). Finished electrical and electronic equipment products will be CE marked as required by Directive 2011/65/EU. Components may not be CE marked. Additionally, the part numbers that TE has identified as EU ELV compliant have a maximum concentration of 0.1% by weight in homogenous materials for lead, hexavalent chromium, and mercury, and 0.01% for cadmium, or qualify for an exemption to these limits as defined in the Annexes of Directive 2000/53/EC (ELV). Regarding the REACH Regulation, the information TE provides on SVHC in articles for this part number is based on the latest European Chemicals Agency (ECHA) 'Guidance on requirements for substances in articles' posted at this URL: <https://echa.europa.eu/guidance-documents/guidance-on-reach>

Compatible Parts



TE Part # 521163-2
POWER BLADE HSG 12P NYLON
BLACK



TE Part # 521190-2
PLUG 3 POS 125 HOUSING NYLON 6
/6



TE Part # 1-770197-2
TIMER CONNECTOR 24P HSG R/H
NAT PA66 V-0



TE Part # 770198-1
TIMER CONNECTOR 24P HSG L/H
NAT PA66



TE Part # 770199-1
TIMER CONNECTOR 18P HSG R/H BK
NYLON6/6



TE Part # 521986-1
POWER BLADE HSG 10P NYLON
NATURAL



TE Part # 521073-2
PLUG .125 HOUSING NYLON 66/6



TE Part # 521116-2
MOTOR HOUSING HOUSING NYLON
VO BLACK



TE Part # 521152-2
PLUG 4 CIR 125 HOUSING NYLON 66
/6



TE Part # 521165-1
MOTOR HOUSING HOUSING BLACK
NYLON 6/6

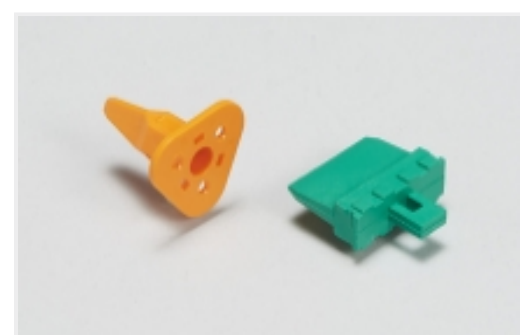


TE Part # 521190-4
PLUG 5 POS 125 HOUSING NYLON 6
/6

Also in the Series | Timer Connector System



Automotive Connector Caps & Covers
(11)



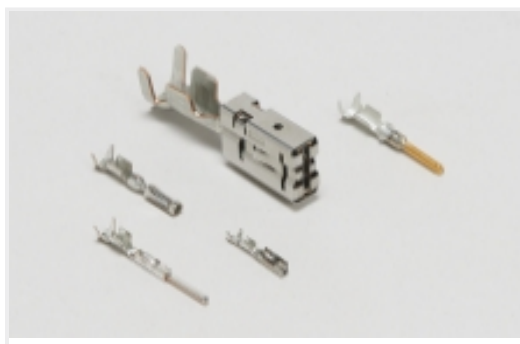
Automotive Connector Locks &
Position Assurance(15)



Automotive Headers(19)



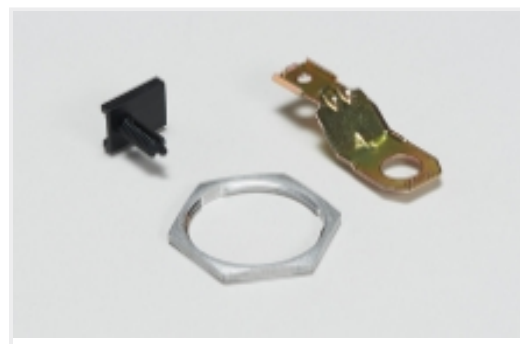
Automotive Housings(195)



Automotive Terminals(110)



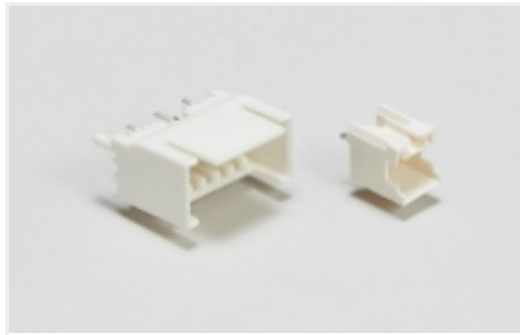
Crimp Terminal Housings(13)



Other Automotive Connector Accessories(1)



Quick Disconnects(4)



Wire-to-Board Headers & Receptacles (19)

Customers Also Bought



TE Part #1217345-1
110 FASTON,REC.,16-18 AWG,BR



TE Part #1981972-1
GIC2.5W PLUG HOUSING 12POS (2-ROW) NAT



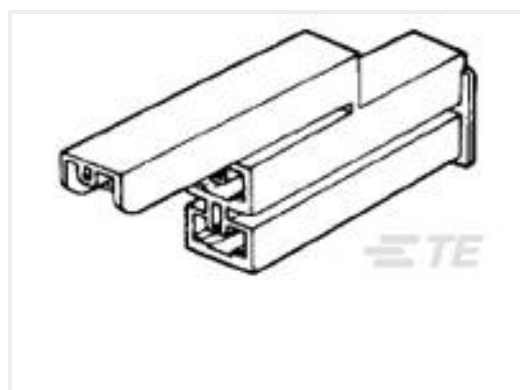
TE Part #2371464-2
2P, RAST5 P-LOCK HSG, INNER SLOT



TE Part #1742198-1
250 FASTON,REC.,18-14 AWG,NPST



TE Part #2232901-1
AMP POWER DBL LOCK REC (L)



TE Part #1-172075-1
3 POS PL 187(4.8 MM) HOUSING NATURAL



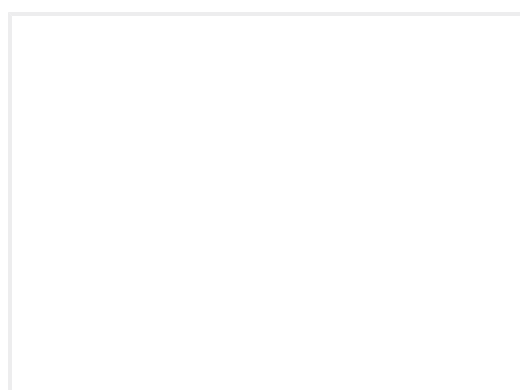
TE Part #368590-1
PDL 2P DBL PLATE 3.96(GWT) NAT



TE Part #63677-1
312 FASTON REC 16-12 AWG TPBR



TE Part #737161-1
SHAKE-PROOF RING-TONGUE 0.8-2 MM2 TPST



TE Part #2391532-1
RECEPTACLE, POSITIVE-LOCK, RAST 6.35

Documents



Product Drawings

[DRYER .250 HOUSING NYLON 6/6](#)

English

CAD Files

[3D PDF](#)

3D

Customer View Model

[ENG_CVM_CVM_521085-1_K_c-521085-1-k.2d_dxf.zip](#)

English

Customer View Model

[ENG_CVM_CVM_521085-1_K_c-521085-1-k.3d_igs.zip](#)

English

Customer View Model

[ENG_CVM_CVM_521085-1_K_c-521085-1-k.3d_stp.zip](#)

English

By downloading the CAD file I accept and agree to the [Terms and Conditions](#) of use.

Product Specifications

[Application Specification](#)

English

Agency Approvals

[UL Report](#)

English