

520936-1 ✓ ACTIVE

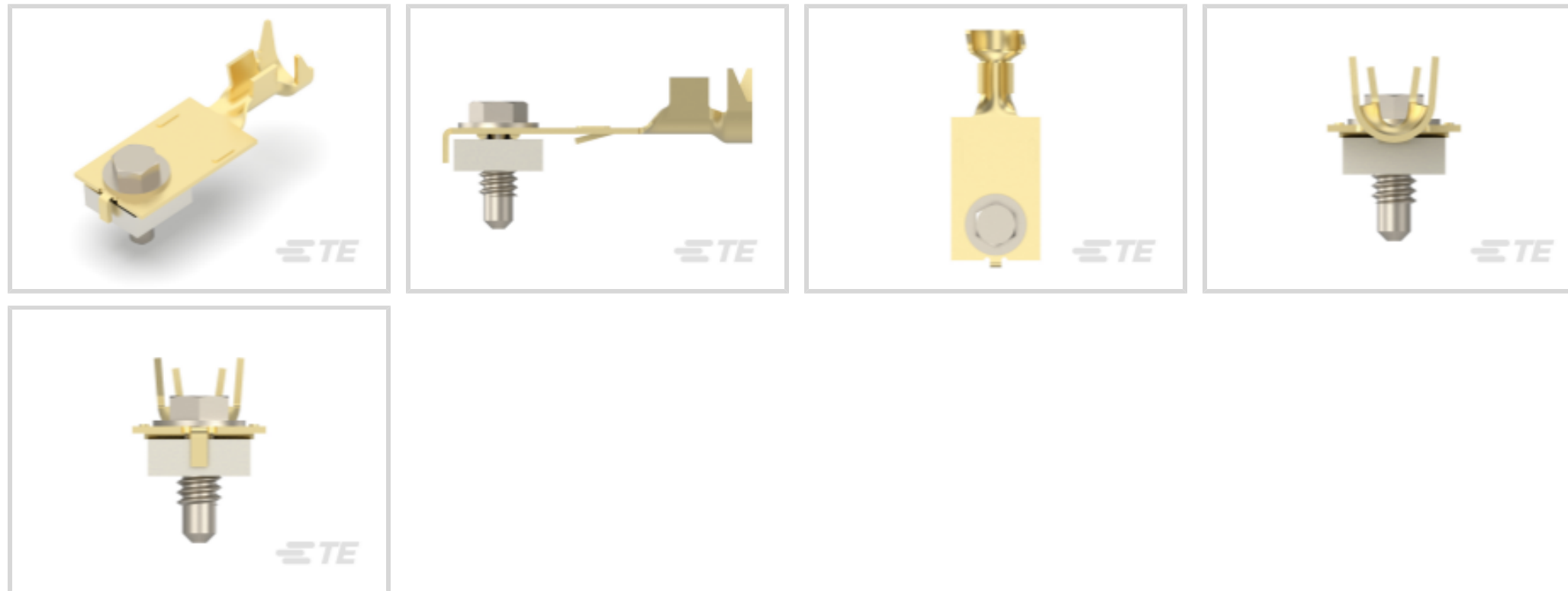
TE Internal #: 520936-1

Ring, 16 – 10 AWG, 1.3 – 5.26 mm² Wire, Unplated Plating, 38.1 mm [1.5 in] Length, Box, Wire Insulation Support, Straight, Special Purpose Terminals

[View on TE.com >](#)



Terminals & Splices > Special Purpose Terminals



Special Purpose Terminal Type: **Ring**

Wire Size: **1.3 – 5.26 mm²**

Terminal Material Thickness: **.38 mm [.015 in]**

Terminal Plating Material: **Unplated**

Features

Configuration Features

Compatible With Wire & Cable Type

Discrete Wire

Usage Conditions

Insulation Option

Uninsulated

Operating Temperature Range

-40 – 110 °C[-40 – 230 °F]

Product Type Features

Wire Insulation Support Retention Type

Insulation Support

Sealable

No

Packaging Features

Packaging Quantity

800

Packaging Method

Box

Contact Features

Barrel Type

Open

Special Purpose Terminal Type

Ring

Terminal Plating Material

Unplated

Terminal Orientation

Straight



Mechanical Attachment

Wire Insulation Support	With
-------------------------	------

Dimensions

Wire Size	1.3 – 5.26 mm ²
Terminal Material Thickness	.38 mm[.015 in]
Product Length	38.1 mm[1.5 in]
Compatible Insulation Diameter (Max)	7.87 mm[.31 in]
Compatible Insulation Diameter Range	5.59 – 7.87 mm[.22 – .31 in]

Other

EU RoHS Compliance	Compliant
EU ELV Compliance	Compliant

Product Compliance

[For compliance documentation, visit the product page on TE.com>](#)

EU RoHS Directive 2011/65/EU	Compliant
EU ELV Directive 2000/53/EC	Compliant
China RoHS 2 Directive MIIT Order No 32, 2016	No Restricted Materials Above Threshold
EU REACH Regulation (EC) No. 1907/2006	Current ECHA Candidate List: JUNE 2024 (241) Candidate List Declared Against: JUNE 2024 (241) Does not contain REACH SVHC
Halogen Content	Low Halogen - Br, Cl, F, I < 900 ppm per homogenous material. Also BFR/CFR/PVC Free
Solder Process Capability	Not applicable for solder process capability

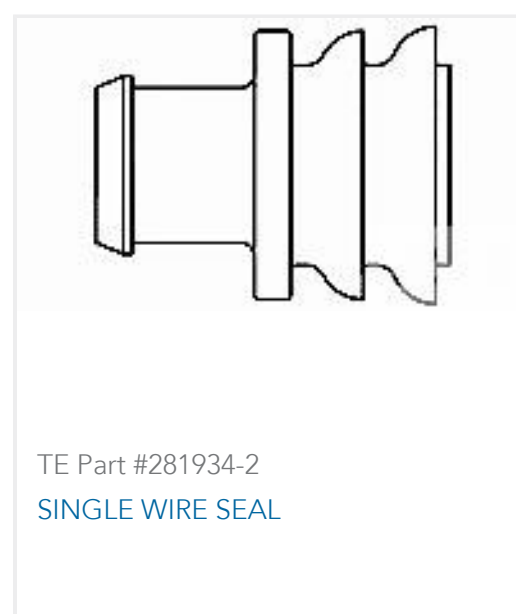
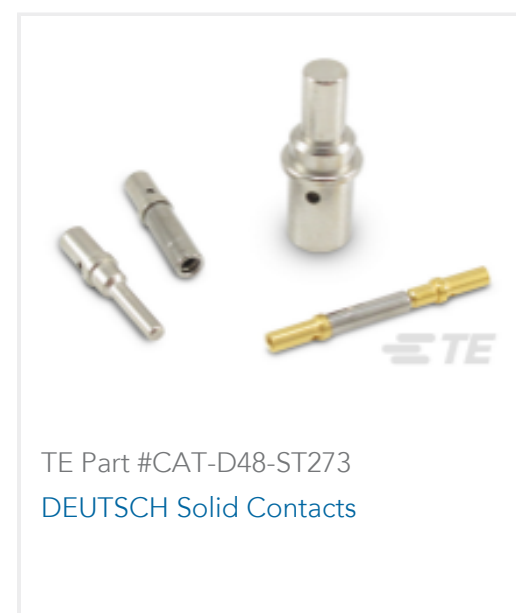
Product Compliance Disclaimer

This information is provided based on reasonable inquiry of our suppliers and represents our current actual knowledge based on the information they provided. This information is subject to change. The part numbers that TE has identified as EU RoHS compliant have a maximum concentration of 0.1% by weight in homogenous materials for lead, hexavalent chromium, mercury, PBB, PBDE, DBP, BBP, DEHP, DIBP, and 0.01% for cadmium, or qualify for an exemption to these limits as defined in the Annexes of Directive 2011/65/EU (RoHS2). Finished electrical and electronic equipment products will be CE marked as required by Directive 2011/65/EU. Components may not be CE marked. Additionally, the part numbers that TE has identified as EU ELV compliant have a maximum concentration of 0.1% by weight in homogenous materials for lead, hexavalent chromium, and mercury, and 0.01% for cadmium, or qualify for an exemption to these limits as defined in the Annexes of Directive 2000/53/EC (ELV). Regarding the REACH Regulation, the information TE provides on SVHC in articles for this part number is based on the latest European Chemicals Agency (ECHA) 'Guidance on requirements for substances in articles' posted at this URL: <https://echa.europa.eu/guidance-documents/guidance-on-reach>

Compatible Parts



Customers Also Bought



Documents

Product Drawings

[POWER RING 250 ASY 16-10 AWG NL](#)

English

CAD Files

[3D PDF](#)

3D

Customer View Model

[ENG_CVM_CVM_520936-1_T.2d_dxf.zip](#)

English

Customer View Model

[ENG_CVM_CVM_520936-1_T.3d_igs.zip](#)

English

Customer View Model

[ENG_CVM_CVM_520936-1_T.3d_stp.zip](#)



English

By downloading the CAD file I accept and agree to the [Terms and Conditions](#) of use.

Product Specifications

Product Specification

English

Power Ring, Housing and Terminal Assemblies

Japanese

Product Specification

Japanese

Power Ring, Housing and Terminal Assemblies

English

Product Specification

English

Agency Approvals

UL Report

English