



Connectors > Connector Accessories > Connector Hardware



Connector Hardware Accessory Type: **Washer**

Primary Product Material: **Stainless Steel**

Operating Temperature (Max): **85 °C [ 185 °F ]**

Operating Temperature Range: **-55 – 85 °C [ -67 – 185 °F ]**

Hardware Accessory Function: **Mounting, Latching, Locking & Retention**

## Features

### Product Type Features

Connector Hardware Accessory Type	Washer
Hardware Accessory Function	Mounting, Latching, Locking & Retention

### Body Features

Primary Product Material	Stainless Steel
--------------------------	-----------------

### Usage Conditions

Operating Temperature (Max)	85 °C[185 °F]
Operating Temperature Range	-55 – 85 °C[-67 – 185 °F]

### Other

EU RoHS Compliance	Compliant
EU ELV Compliance	Compliant

## Product Compliance

[For compliance documentation, visit the product page on TE.com>](#)

EU RoHS Directive 2011/65/EU	Compliant
EU ELV Directive 2000/53/EC	Compliant

China RoHS 2 Directive MIIT Order No 32, 2016

No Restricted Materials Above Threshold

EU REACH Regulation (EC) No. 1907/2006

Current ECHA Candidate List: JUNE 2024 (241)

Candidate List Declared Against: JUNE 2024 (241)

Does not contain REACH SVHC

Halogen Content

Low Halogen - Br, Cl, F, I &lt; 900 ppm per homogenous material. Also BFR/CFR/PVC Free

Solder Process Capability

Not applicable for solder process capability

## Product Compliance Disclaimer

This information is provided based on reasonable inquiry of our suppliers and represents our current actual knowledge based on the information they provided. This information is subject to change. The part numbers that TE has identified as EU RoHS compliant have a maximum concentration of 0.1% by weight in homogenous materials for lead, hexavalent chromium, mercury, PBB, PBDE, DBP, BBP, DEHP, DIBP, and 0.01% for cadmium, or qualify for an exemption to these limits as defined in the Annexes of Directive 2011/65/EU (RoHS2). Finished electrical and electronic equipment products will be CE marked as required by Directive 2011/65/EU. Components may not be CE marked. Additionally, the part numbers that TE has identified as EU ELV compliant have a maximum concentration of 0.1% by weight in homogenous materials for lead, hexavalent chromium, and mercury, and 0.01% for cadmium, or qualify for an exemption to these limits as defined in the Annexes of Directive 2000/53/EC (ELV). Regarding the REACH Regulation, the information TE provides on SVHC in articles for this part number is based on the latest European Chemicals Agency (ECHA) 'Guidance on requirements for substances in articles' posted at this URL: <https://echa.europa.eu/guidance-documents/guidance-on-reach>

## Compatible Parts



TE Part # 5205817-3  
FEMALE SCREWLOCK KIT

## Customers Also Bought



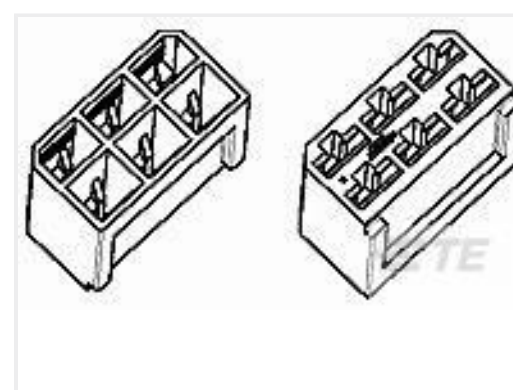
TE Part #HD36-18-6SN-059  
PLG,6P,AL,N, CBL CLMP BT,DRAIN,4 /16,S,MC



TE Part #NB14634001  
VERSAFIT-3X-1/2-0-SP



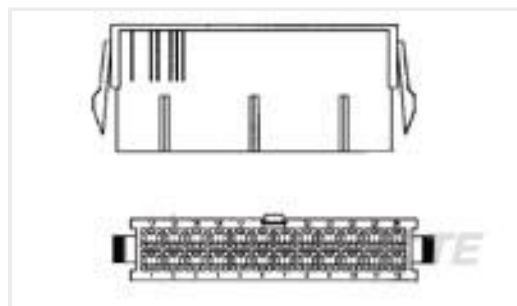
TE Part #284041-4  
TERMINAL BLOCK VERTICAL PLUG S



TE Part #1-480281-0  
FF 250 REC HSG 6P NYLON BLACK



TE Part #640913-2  
RECEPT,PIDG FASTON 16-14 205



TE Part #1-794953-2  
12P PM PLUG VAL-U-LOK V2



TE Part #1SNA232041R2400  
RC65 1->10 (X10) VERTICAL



TE Part #2266101-1  
OCEAN\_2.0\_APPLICATION-S-090F110O-RSM



TE Part #52044-1  
TERMINAL R PG 2 5/16



TE Part #NB13274001  
RNF-100-3/4-BK-SP

## Documents

### Product Drawings

[LOCKWASHER SPRING,PLTD](#)

English

### CAD Files

[3D PDF](#)

3D

Customer View Model

[ENG\\_CVM\\_CVM\\_5207883-3\\_O.2d\\_dxf.zip](#)

English

Customer View Model

[ENG\\_CVM\\_CVM\\_5207883-3\\_O.3d\\_igs.zip](#)

English

Customer View Model

[ENG\\_CVM\\_CVM\\_5207883-3\\_O.3d\\_stp.zip](#)

English

By downloading the CAD file I accept and agree to the [Terms and Conditions](#) of use.