

5178647-4 ✓ ACTIVE

CHAMP | CHAMP .050 Series I

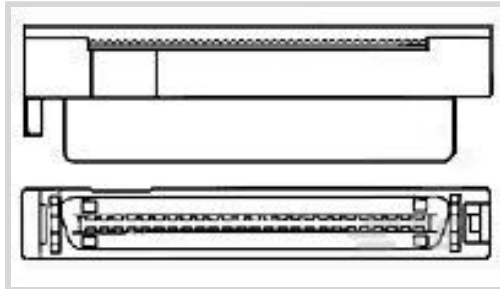
TE Internal #: 5178647-4

PCB Mount Receptacle, Right Angle, Board-to-Board, 36 Position,
1.27 mm [.05 in] Centerline, Gold, Through Hole - Solder, Signal,
CHAMP .050 Series I

[View on TE.com >](#)



Connectors > PCB Connectors > PCB Headers & Receptacles



PCB Connector Assembly Type: **PCB Mount Receptacle**

PCB Mount Orientation: **Right Angle**

Connector System: **Board-to-Board**

Number of Positions: **36**

Centerline (Pitch): **1.27 mm [.05 in]**

Features

Electrical Characteristics

Operating Voltage 250 VAC

Dielectric Withstanding Voltage (Max) 500 VAC

Body Features

Connector Profile High

Dimensions

.2 in

Connector Height 27.5 mm[1.08 in]

Packaging Features

Packaging Quantity 40

Packaging Method Tray

Mechanical Attachment

PCB Mount Retention Type Mounting Hole

PCB Mount Alignment Type Post Polarization

PCB Mount Retention With

PCB Mount Alignment With

Connector Mounting Type Board Mount

Mating Alignment Without

Termination Features



Rectangular Termination Post & Tail Width	.5 mm[.02 in]
Rectangular Termination Post & Tail Thickness	.32 mm[.013 in]
Termination Post & Tail Length	3.1 mm[.122 in]
Termination Method to PCB	Through Hole - Solder

Contact Features

Contact Mating Area Plating Material Thickness	.2 μ m[7.874 μ in]
PCB Contact Termination Area Plating Material Thickness	1 μ m
Contact Layout	Staggered
Contact Base Material	Phosphor Bronze
PCB Contact Termination Area Plating Material	Tin
Contact Mating Area Plating Material	Gold
Contact Current Rating (Max)	1 A

Housing Features

Housing Material	66 Nylon (GF)
Centerline (Pitch)	1.27 mm[.05 in]

Configuration Features

Stackable	No
PCB Mount Orientation	Right Angle
Number of Positions	36

Product Type Features

PCB Connector Assembly Type	PCB Mount Receptacle
Connector System	Board-to-Board
Sealable	No
Connector & Contact Terminates To	Printed Circuit Board

Usage Conditions

Operating Temperature Range	-55 – 85 °C[-67 – 185 °F]
-----------------------------	---------------------------

Operation/Application

Circuit Application	Signal
---------------------	--------

Industry Standards

UL Flammability Rating	UL 94V-0
------------------------	----------

Other

--	--



EU RoHS Compliance	Compliant
EU ELV Compliance	Compliant

Product Compliance

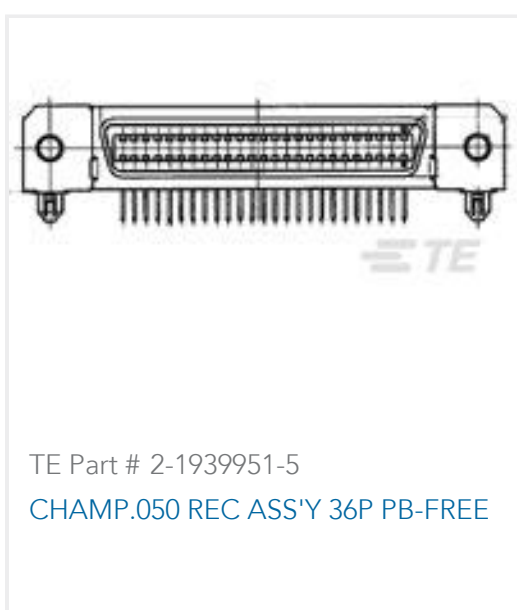
[For compliance documentation, visit the product page on TE.com>](#)

EU RoHS Directive 2011/65/EU	Compliant
EU ELV Directive 2000/53/EC	Compliant
China RoHS 2 Directive MIIT Order No 32, 2016	No Restricted Materials Above Threshold
EU REACH Regulation (EC) No. 1907/2006	Current ECHA Candidate List: JUNE 2024 (241) Candidate List Declared Against: JAN 2022 (223) Does not contain REACH SVHC
Halogen Content	Not Low Halogen - contains Br or Cl > 900 ppm.
Solder Process Capability	Wave solder capable to 265°C

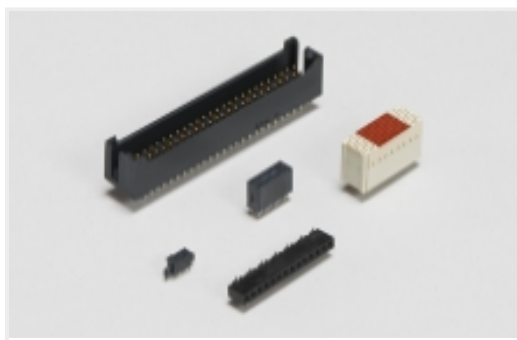
Product Compliance Disclaimer

This information is provided based on reasonable inquiry of our suppliers and represents our current actual knowledge based on the information they provided. This information is subject to change. The part numbers that TE has identified as EU RoHS compliant have a maximum concentration of 0.1% by weight in homogenous materials for lead, hexavalent chromium, mercury, PBB, PBDE, DBP, BBP, DEHP, DIBP, and 0.01% for cadmium, or qualify for an exemption to these limits as defined in the Annexes of Directive 2011/65/EU (RoHS2). Finished electrical and electronic equipment products will be CE marked as required by Directive 2011/65/EU. Components may not be CE marked. Additionally, the part numbers that TE has identified as EU ELV compliant have a maximum concentration of 0.1% by weight in homogenous materials for lead, hexavalent chromium, and mercury, and 0.01% for cadmium, or qualify for an exemption to these limits as defined in the Annexes of Directive 2000/53/EC (ELV). Regarding the REACH Regulation, the information TE provides on SVHC in articles for this part number is based on the latest European Chemicals Agency (ECHA) 'Guidance on requirements for substances in articles' posted at this URL: <https://echa.europa.eu/guidance-documents/guidance-on-reach>

Compatible Parts



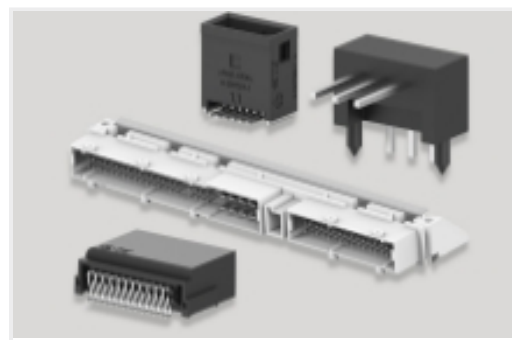
Also in the Series | CHAMP .050 Series I



Board-to-Board Headers & Receptacles(134)

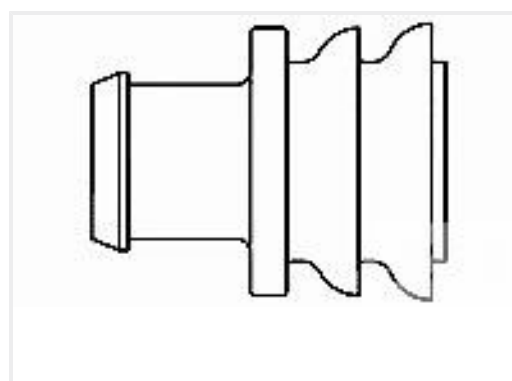


IDC D-Sub Connectors(6)



PCB Headers & Receptacles(134)

Customers Also Bought

TE Part #CAT-AM71-CH8172
AMP SUPERSEAL 1.5MM,
CONNECTOR HOUSINGTE Part #DT04-2P
REC, 2P, GRY, NTE Part #DT06-2S
PLG, 2P, GRY, NTE Part #CAT-D487-W416
Wedgelocks: DEUTSCH DTTE Part #CAT-D48-ST273
DEUTSCH Solid ContactsTE Part #114017-ZZ
SEALING PLUG, SIZE 12/16, WHTTE Part #281934-2
SINGLE WIRE SEAL

Documents

Product Drawings

[CHAMP 050 B-T-B REC HDR ASSY H](#)

English

CAD Files

[3D PDF](#)

English

Customer View Model

[ENG_CVM_5178647-4_O.2d_dxf.zip](#)

English

Customer View Model

[ENG_CVM_5178647-4_O.3d_igs.zip](#)

English

Customer View Model

[ENG_CVM_5178647-4_O.3d_stp.zip](#)

English

By downloading the CAD file I accept and agree to the [Terms and Conditions](#) of use.



Product Specifications

Product Specification

English