

5175475-8 ✓ ACTIVE

CHAMP | CHAMP .050 Series I

TE Internal #: 5175475-8

PCB Mount Receptacle, Vertical, Board-to-Board, 68 Position, 1.27 mm [.05 in] Centerline, Gold, Through Hole - Solder, Signal, CHAMP .050 Series I

[View on TE.com >](#)



Connectors > PCB Connectors > PCB Headers & Receptacles



PCB Connector Assembly Type: **PCB Mount Receptacle**

PCB Mount Orientation: **Vertical**

Connector System: **Board-to-Board**

Number of Positions: **68**

Centerline (Pitch): **1.27 mm [.05 in]**

Features

Electrical Characteristics

Operating Voltage	250 VAC
Insulation Resistance	1 MΩ

Body Features

PCB Retention Feature Material	Brass
PCB Retention Feature Plating Material	Tin over Nickel
Connector Profile	Standard

Dimensions

	.2 in
Connector Height	7 mm [.275 in]

Packaging Features

Packaging Quantity	80
Packaging Method	Tube

Mechanical Attachment

Mating Alignment Type	Polarized
PCB Mount Retention Type	Boardlock, Retention Leg
PCB Mount Retention	With
PCB Mount Alignment	Without
Connector Mounting Type	Board Mount



Mating Alignment With

Termination Features

Rectangular Termination Post & Tail Width	.5 mm[.02 in]
Rectangular Termination Post & Tail Thickness	.32 mm[.013 in]
Termination Post & Tail Length	3.1 mm[.122 in]
Termination Method to PCB	Through Hole - Solder

Contact Features

Contact Mating Area Plating Material Thickness	.2 μ m[7.9 μ in]
Mating Tab Width	.8 mm[.031 in]
PCB Contact Termination Area Plating Material Thickness	1 μ m[39.4 μ in]
Contact Shape & Form	Single Tine, Square
Contact Layout	Inline
Contact Base Material	Phosphor Bronze
Mating Tab Thickness	.32 mm[.013 in]
PCB Contact Termination Area Plating Material	Tin
Contact Mating Area Plating Material	Gold
Contact Type	Socket
Contact Current Rating (Max)	1 A

Housing Features

Housing Material	Nylon - GF
Centerline (Pitch)	1.27 mm[.05 in]

Configuration Features

Stackable	No
PCB Mount Orientation	Vertical
Number of Positions	68

Product Type Features

PCB Connector Assembly Type	PCB Mount Receptacle
Connector System	Board-to-Board
Sealable	No
Connector & Contact Terminates To	Printed Circuit Board

Usage Conditions

Operating Temperature Range	-55 – 85 °C[-67 – 185 °F]
-----------------------------	---------------------------



Operation/Application

Circuit Application	Signal
---------------------	--------

Industry Standards

UL Flammability Rating	UL 94V-0
------------------------	----------

Other

EU RoHS Compliance	Compliant
EU ELV Compliance	Compliant

Product Compliance

[For compliance documentation, visit the product page on TE.com>](#)

EU RoHS Directive 2011/65/EU	Compliant
EU ELV Directive 2000/53/EC	Compliant
China RoHS 2 Directive MIIT Order No 32, 2016	No Restricted Materials Above Threshold
EU REACH Regulation (EC) No. 1907/2006	Current ECHA Candidate List: JUNE 2024 (241) Candidate List Declared Against: JUNE 2024 (241) Does not contain REACH SVHC
Halogen Content	Not Low Halogen - contains Br or Cl > 900 ppm.
Solder Process Capability	Wave solder capable to 265°C

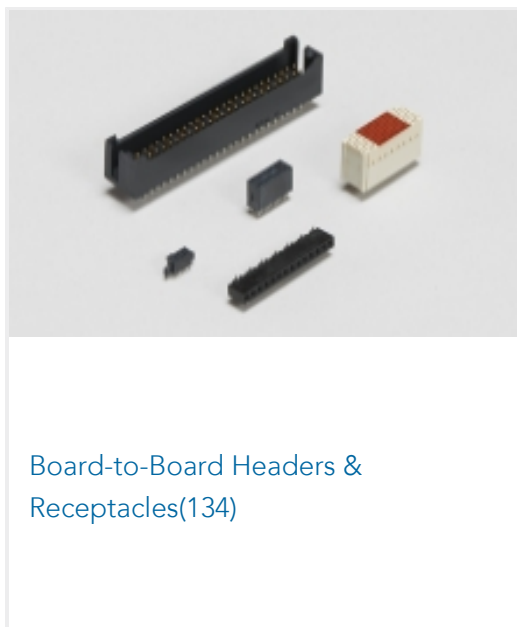
Product Compliance Disclaimer

This information is provided based on reasonable inquiry of our suppliers and represents our current actual knowledge based on the information they provided. This information is subject to change. The part numbers that TE has identified as EU RoHS compliant have a maximum concentration of 0.1% by weight in homogenous materials for lead, hexavalent chromium, mercury, PBB, PBDE, DBP, BBP, DEHP, DIBP, and 0.01% for cadmium, or qualify for an exemption to these limits as defined in the Annexes of Directive 2011/65/EU (RoHS2). Finished electrical and electronic equipment products will be CE marked as required by Directive 2011/65/EU. Components may not be CE marked. Additionally, the part numbers that TE has identified as EU ELV compliant have a maximum concentration of 0.1% by weight in homogenous materials for lead, hexavalent chromium, and mercury, and 0.01% for cadmium, or qualify for an exemption to these limits as defined in the Annexes of Directive 2000/53/EC (ELV). Regarding the REACH Regulation, the information TE provides on SVHC in articles for this part number is based on the latest European Chemicals Agency (ECHA) 'Guidance on requirements for substances in articles' posted at this URL: <https://echa.europa.eu/guidance-documents/guidance-on-reach>

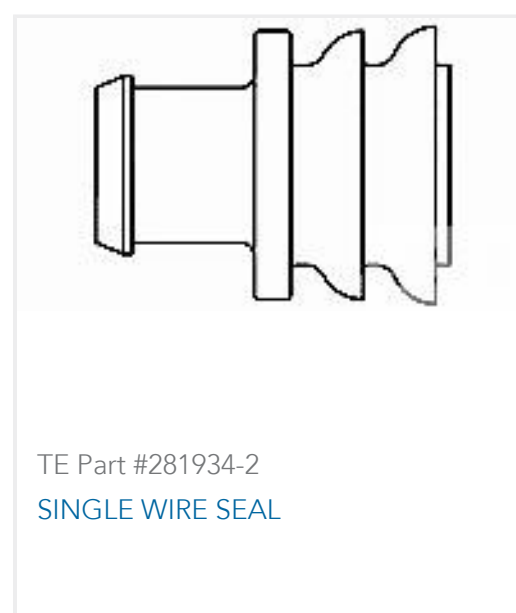
Compatible Parts



Also in the Series | **CHAMP .050 Series I**



Customers Also Bought



Documents

Product Drawings

CHAMP 050 B/B V W/LEG 68P

English

CAD Files

3D PDF

English



Customer View Model

[ENG_CVM_5175475-8_O.2d_dxf.zip](#)

English

Customer View Model

[ENG_CVM_5175475-8_O.3d_igs.zip](#)

English

Customer View Model

[ENG_CVM_5175475-8_O.3d_stp.zip](#)

English

By downloading the CAD file I accept and agree to the [Terms and Conditions](#) of use.

Product Specifications

[Product Specification](#)

English