

## MINI-MATCH

TE Internal #: 5164897-5

TE Internal Description: 05P MINI MATCH RA male, 2.5 mm pitch

[View on TE.com >](#)

Connectors &gt; PCB Connectors &gt; PCB Headers &amp; Receptacles

PCB Connector Assembly Type: **PCB Mount Header**PCB Mount Orientation: **Right Angle**Connector System: **Board-to-Board**Number of Positions: **5**Centerline (Pitch): **2.5 mm [ .09 in ]**

## Features

### Dimensions

PCB Thickness (Recommended)	1.6 mm[.06 in]
Connector Height	7.3 mm[.29 in]
Connector Length	12.5 mm[.492 in]

### Packaging Features

Packaging Quantity	3000
Packaging Method	Box

### Industry Standards

Compatible With Agency/Standards Products	UL
UL Rating	Recognized
Compatible With Approved Standards Products	UL
UL Flammability Rating	UL 94V-0

### Termination Features

Rectangular Termination Post & Tail Width	.78 mm[.03 in]
Rectangular Termination Post & Tail Thickness	.5 mm[.02 in]
Termination Post & Tail Length	3.2 mm[.125 in]
Termination Method to PCB	Through Hole - Solder

### Contact Features

Contact Mating Area Plating Material Thickness	3.04 μm[120 μin]
Mating Tab Width	2.79 mm[.11 in]

Contact Layout	Inline
Contact Base Material	Brass
Mating Tab Thickness	.5 mm[.02 in]
Contact Mating Area Plating Material	Tin
Contact Type	Tab
Contact Current Rating (Max)	7 A

### Housing Features

Housing Material	Polycarbonate GF20
Centerline (Pitch)	2.5 mm[.09 in]

### Configuration Features

Number of Columns	5
PCB Mount Orientation	Right Angle
Number of Positions	5

### Product Type Features

PCB Connector Assembly Type	PCB Mount Header
Connector System	Board-to-Board
Header Type	Unshrouded
Sealable	No
Connector & Contact Terminates To	Printed Circuit Board

### Body Features

Primary Product Color	Green
-----------------------	-------

### Mechanical Attachment

PCB Mount Retention	Without
PCB Mount Alignment	Without
Connector Mounting Type	Board Mount
Mating Alignment	Without

### Operation/Application

Circuit Application	Power & Signal
---------------------	----------------

### Other

EU RoHS Compliance	Compliant
EU ELV Compliance	Compliant



## Product Compliance

[For compliance documentation, visit the product page on TE.com>](#)

EU RoHS Directive 2011/65/EU	Compliant
EU ELV Directive 2000/53/EC	Compliant
China RoHS 2 Directive MIIT Order No 32, 2016	No Restricted Materials Above Threshold
EU REACH Regulation (EC) No. 1907/2006	Current ECHA Candidate List: JUNE 2024 (241) Candidate List Declared Against: JAN 2021 (211) Does not contain REACH SVHC
Halogen Content	Not Low Halogen - contains Br or Cl > 900 ppm.
Solder Process Capability	Not reviewed for solder process capability

### Product Compliance Disclaimer

This information is provided based on reasonable inquiry of our suppliers and represents our current actual knowledge based on the information they provided. This information is subject to change. The part numbers that TE has identified as EU RoHS compliant have a maximum concentration of 0.1% by weight in homogenous materials for lead, hexavalent chromium, mercury, PBB, PBDE, DBP, BBP, DEHP, DIBP, and 0.01% for cadmium, or qualify for an exemption to these limits as defined in the Annexes of Directive 2011/65/EU (RoHS2). Finished electrical and electronic equipment products will be CE marked as required by Directive 2011/65/EU. Components may not be CE marked. Additionally, the part numbers that TE has identified as EU ELV compliant have a maximum concentration of 0.1% by weight in homogenous materials for lead, hexavalent chromium, and mercury, and 0.01% for cadmium, or qualify for an exemption to these limits as defined in the Annexes of Directive 2000/53/EC (ELV). Regarding the REACH Regulation, the information TE provides on SVHC in articles for this part number is based on the latest European Chemicals Agency (ECHA) 'Guidance on requirements for substances in articles' posted at this URL: <https://echa.europa.eu/guidance-documents/guidance-on-reach>

## Customers Also Bought



TE Part #206070-8  
CABLE CLAMP KIT #17



TE Part #DT04-2P  
REC, 2P, GRY, N



TE Part #DT06-2S  
PLG, 2P, GRY, N



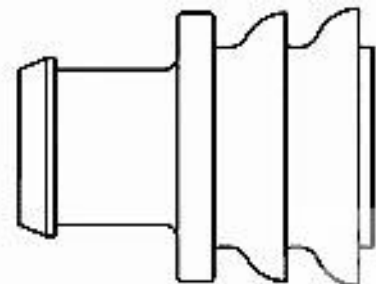
TE Part #CAT-D487-W416  
Wedgelocks: DEUTSCH DT



TE Part #CAT-D48-ST273  
DEUTSCH Solid Contacts



TE Part #CAT-AM71-CH8172  
AMP SUPERSEAL 1.5MM,  
CONNECTOR HOUSING



TE Part #281934-2  
SINGLE WIRE SEAL



## Documents

### CAD Files

Customer View Model

[ENG\\_CVM\\_5164897-5\\_A.3d\\_igs.zip](#)

English

Customer View Model

[ENG\\_CVM\\_5164897-5\\_A.3d\\_stp.zip](#)

English

Customer View Model

[ENG\\_CVM\\_5164897-5\\_A.2d\\_dxf.zip](#)

English

### 3D PDF

English

By downloading the CAD file I accept and agree to the [Terms and Conditions](#) of use.

### Product Specifications

[Product Specification](#)

[Mini Match Connection System](#)

English

[Product Specification](#)

English

### Instruction Sheets

[Instruction Sheet \(non U.S.\)](#)

German