

5148452-5 ✓ ACTIVE

EUROCARD | Eurocard Type L

TE Internal #: 5148452-5

Receptacle, Board-to-Board, 160 Position, 2.54 mm [.1 in]

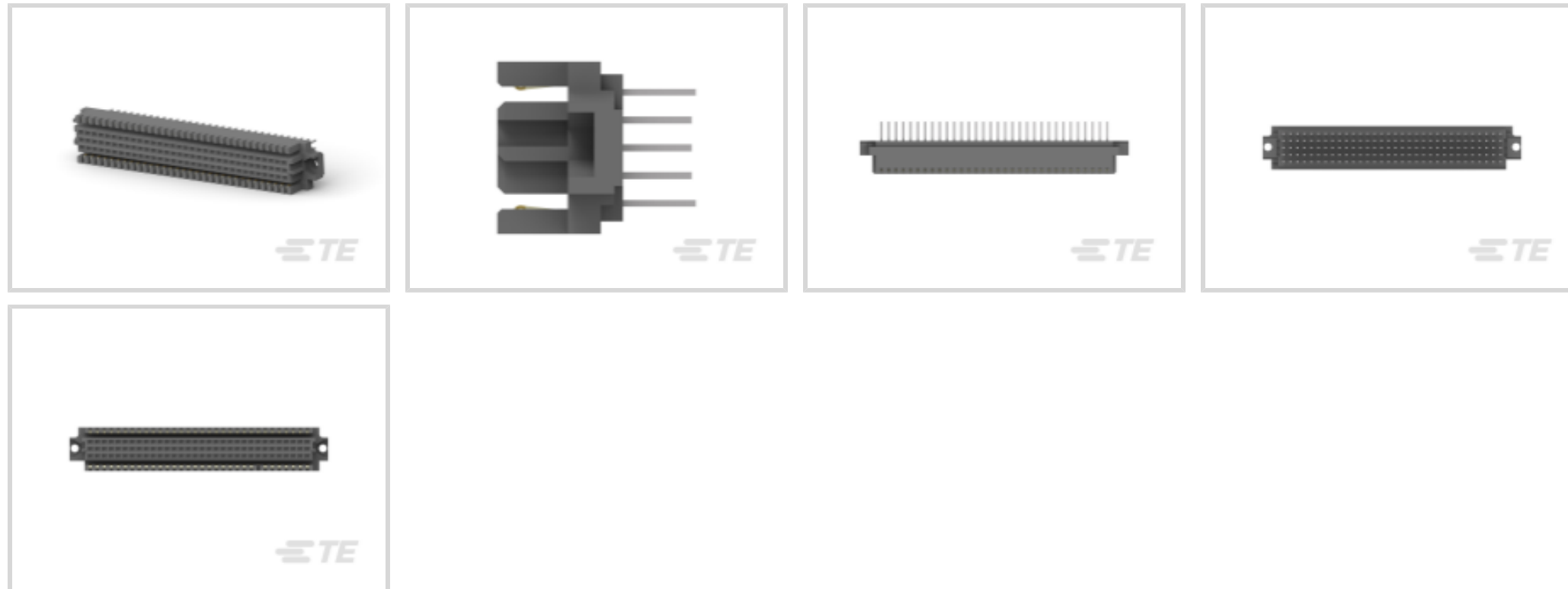
Centerline, Printed Circuit Board, 5 Row, Vertical, Eurocard Type L,

Eurocard Connectors

[View on TE.com >](#)



Connectors > PCB Connectors > Backplane Connectors > Eurocard Connectors



Connector & Housing Type: **Receptacle**

Connector System: **Board-to-Board**

Termination Post & Tail Length: **6 mm [.236 in]**

Number of Positions: **160**

Centerline (Pitch): **2.54 mm [.1 in]**

## Features

### Mechanical Attachment

Connector Mounting Type	Board Mount
-------------------------	-------------

### Contact Features

PCB Contact Termination Area Plating Material Thickness	2.54 – 7.62 $\mu\text{m}$ [100 – 300 $\mu\text{in}$ ]
Contact Layout	Matrix
Contact Base Material	Phosphor Bronze
PCB Contact Termination Area Plating Material	Tin
Contact Type	Receptacle

### Packaging Features

Packaging Method	Box
------------------	-----

### Dimensions

Connector Width	15.88 mm[.625 in]
PCB Thickness (Recommended)	1.57 mm[.062 in]
Connector Height	11.51 mm[.45 in]
Connector Length	94 mm[3.7 in]



Row-to-Row Spacing	2.54 mm [.1 in]
--------------------	-----------------

### Termination Features

Termination Method to PCB	Through Hole - Press-Fit
Termination Post & Tail Length	6 mm [.236 in]

### Product Type Features

Connector & Housing Type	Receptacle
Connector System	Board-to-Board
Connector & Contact Terminates To	Printed Circuit Board
DIN Size	Expanded
DIN Level	II

### Configuration Features

Number of Positions	160
Number of Rows	5
PCB Mount Orientation	Vertical
Number of Columns	32
Rows Loaded	Fully Loaded
Number of Signal Positions	96

### Housing Features

Centerline (Pitch)	2.54 mm [.1 in]
--------------------	-----------------

### Usage Conditions

Operating Temperature Range	-55 – 105 °C [-67 – 221 °F]
-----------------------------	-----------------------------

### Operation/Application

Circuit Application	Signal
---------------------	--------

### Other

EU RoHS Compliance	Compliant
EU ELV Compliance	Compliant

### Product Compliance

[For compliance documentation, visit the product page on TE.com>](#)

EU RoHS Directive 2011/65/EU	Compliant
EU ELV Directive 2000/53/EC	Compliant



China RoHS 2 Directive MIIT Order No 32, 2016	No Restricted Materials Above Threshold
EU REACH Regulation (EC) No. 1907/2006	Current ECHA Candidate List: JUNE 2024 (241) Candidate List Declared Against: JUNE 2024 (241) Does not contain REACH SVHC
Halogen Content	Not Low Halogen - contains Br or Cl > 900 ppm.
Solder Process Capability	Not applicable for solder process capability

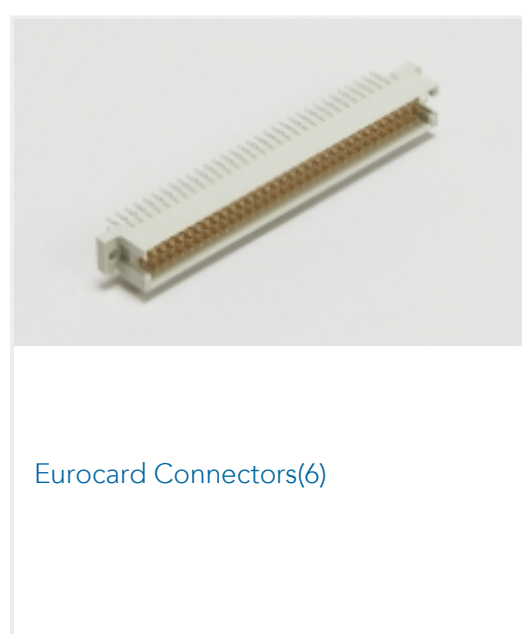
Product Compliance Disclaimer

This information is provided based on reasonable inquiry of our suppliers and represents our current actual knowledge based on the information they provided. This information is subject to change. The part numbers that TE has identified as EU RoHS compliant have a maximum concentration of 0.1% by weight in homogenous materials for lead, hexavalent chromium, mercury, PBB, PBDE, DBP, BBP, DEHP, DIBP, and 0.01% for cadmium, or qualify for an exemption to these limits as defined in the Annexes of Directive 2011/65/EU (RoHS2). Finished electrical and electronic equipment products will be CE marked as required by Directive 2011/65/EU. Components may not be CE marked. Additionally, the part numbers that TE has identified as EU ELV compliant have a maximum concentration of 0.1% by weight in homogenous materials for lead, hexavalent chromium, and mercury, and 0.01% for cadmium, or qualify for an exemption to these limits as defined in the Annexes of Directive 2000/53/EC (ELV). Regarding the REACH Regulation, the information TE provides on SVHC in articles for this part number is based on the latest European Chemicals Agency (ECHA) 'Guidance on requirements for substances in articles' posted at this URL: <https://echa.europa.eu/guidance-documents/guidance-on-reach>

### Compatible Parts



### Also in the Series | Eurocard Type L



### Customers Also Bought



TE Part #535074-2  
EURO SHROUD 96 POS



TE Part #640915-2  
RECEPT,PIDG FASTON 16-14 205



TE Part #1-350766-2  
03P UMNL V0 PLUG HSG RED



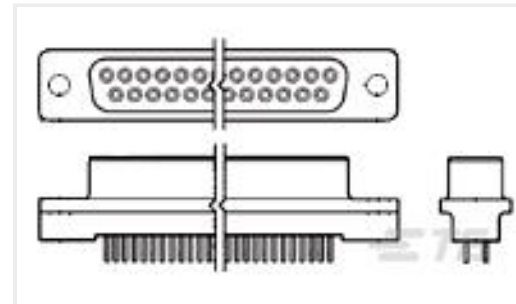
TE Part #5148059-5  
ASSY,RECEPTACLE,EUROCARD,TYPE C,LEAD-FRE



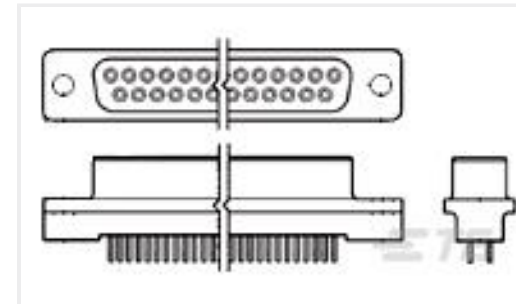
TE Part #350790-3  
03P UMNL PIN HDR ASSY 94VO LF



TE Part #5745074-4  
HD-20 PLUG 37P VERT FFSCRLK



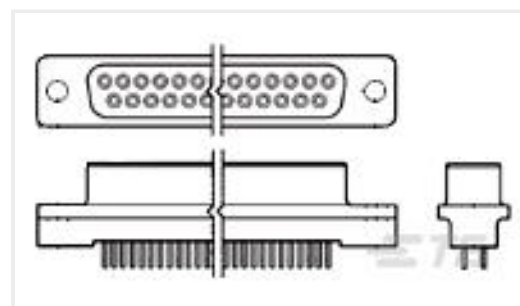
TE Part #5745076-6  
HD-20 RCPT 9P VERT FFSCRLK



TE Part #5745079-6  
HD-20 RCPT 37P VERT FFSCRLK



TE Part #148452-5  
160 ENH EURO LONG REC 6MM ASSY



TE Part #5745077-6  
HD-20 RCPT 15P VERT FFSCRLK

## Documents

### Product Drawings

[ASSY,RECPT,ENH.TYPE C,EUROCARD,L-FREE,5](#)

English

### CAD Files

Customer View Model

[ENG\\_CVM\\_CVM\\_5148452-5\\_A.2d\\_dxf.zip](#)

English

### 3D PDF

3D

Customer View Model

[ENG\\_CVM\\_CVM\\_5148452-5\\_A.3d\\_igs.zip](#)

English

Customer View Model

[ENG\\_CVM\\_CVM\\_5148452-5\\_A.3d\\_stp.zip](#)

English

By downloading the CAD file I accept and agree to the [Terms and Conditions](#) of use.

## Agency Approvals



UL

English