

5100785-9 ✓ ACTIVE

Z-PACK | Z-PACK 2mm HM

TE Internal #: 5100785-9

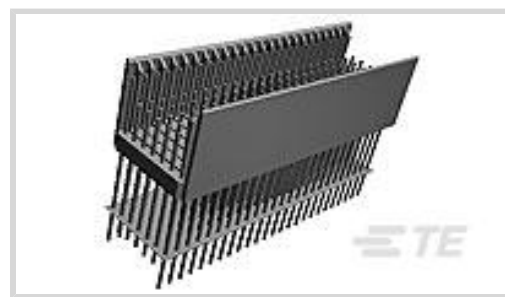
Hard Metric Backplane PCB Mount Header, ≤1 Gb/s, 25 Column, 5 Row, Mezzanine, 125 Position, 2 mm [.078 in] Centerline, Vertical, Gray, Z-PACK 2mm HM

[View on TE.com >](#)



[Connectors >](#) [PCB Connectors >](#) [Backplane Connectors >](#) [Hard Metric Backplane Connectors >](#)

Hard Metric Male Connector: Traditional Backplane, Mezzanine, 2mm



PCB Connector Assembly Type: **PCB Mount Header**

Data Rate: **≤1 Gb/s**

Number of Columns: **25**

Number of Rows: **5**

Backplane Architecture: **Mezzanine**

[All Hard Metric Male Connector: Traditional Backplane, Mezzanine, 2mm \(124\)](#)

Features

Mechanical Attachment

Connector Mounting Type	Board Mount
-------------------------	-------------

Industry Standards

UL Flammability Rating	UL 94V-0
------------------------	----------

Termination Features

Termination Method to PCB	Through Hole - Press-Fit
---------------------------	--------------------------

Dimensions

Backplane Module Length	49.88 mm
-------------------------	----------

Operation/Application

Shielded	No
----------	----

Circuit Application	Power & Signal
---------------------	----------------

Contact Features

Contact Underplating Material	Nickel
-------------------------------	--------

Contact Base Material	Phosphor Bronze
-----------------------	-----------------

CompactPCI Designation	None
------------------------	------

PCB Contact Termination Area Plating Material	Tin
---	-----



Feedthrough Post Length	3.7 mm
Contact Type	Pin
Contact Mating Area Plating Material	Gold
Contact Mating Area Plating Material Thickness	.76 μm[30 μin]
Contact Current Rating (Max)	1.5 A

Packaging Features

Packaging Quantity	10
Packaging Method	Tube

Housing Features

Housing Material	Polyester - GF
Centerline (Pitch)	2 mm[.078 in]

Product Type Features

Connector & Contact Terminates To	Printed Circuit Board
Backplane Interface Type	2mm HM
Connector System	Board-to-Board
PCB Connector Assembly Type	PCB Mount Header
Sealable	No

Signal Characteristics

Data Rate	≤1 Gb/s
-----------	---------

Configuration Features

Number of Columns	25
Number of Rows	5
Backplane Architecture	Mezzanine
Number of Positions	125
PCB Mount Orientation	Vertical

Body Features

Primary Product Color	Gray
-----------------------	------

Usage Conditions

Operating Temperature Range	-55 – 125 °C[-67 – 257 °F]
-----------------------------	----------------------------

Other

EU RoHS Compliance	Compliant
EU ELV Compliance	Compliant



Product Compliance

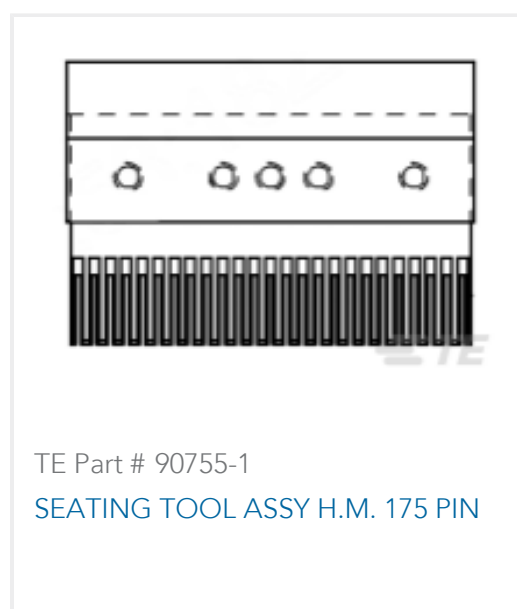
[For compliance documentation, visit the product page on TE.com>](#)

EU RoHS Directive 2011/65/EU	Compliant
EU ELV Directive 2000/53/EC	Compliant
China RoHS 2 Directive MIIT Order No 32, 2016	No Restricted Materials Above Threshold
EU REACH Regulation (EC) No. 1907/2006	Current ECHA Candidate List: JUNE 2024 (241) Candidate List Declared Against: JUNE 2024 (241) Does not contain REACH SVHC
Halogen Content	Not Low Halogen - contains Br or Cl > 900 ppm.
Solder Process Capability	Not applicable for solder process capability

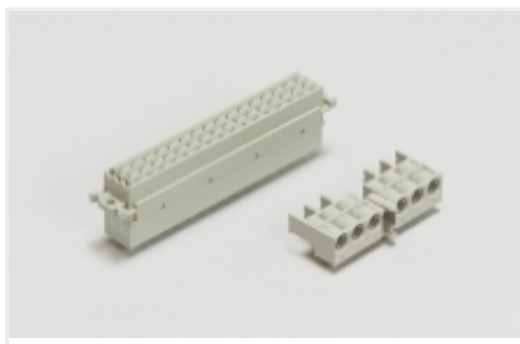
Product Compliance Disclaimer

This information is provided based on reasonable inquiry of our suppliers and represents our current actual knowledge based on the information they provided. This information is subject to change. The part numbers that TE has identified as EU RoHS compliant have a maximum concentration of 0.1% by weight in homogenous materials for lead, hexavalent chromium, mercury, PBB, PBDE, DBP, BBP, DEHP, DIBP, and 0.01% for cadmium, or qualify for an exemption to these limits as defined in the Annexes of Directive 2011/65/EU (RoHS2). Finished electrical and electronic equipment products will be CE marked as required by Directive 2011/65/EU. Components may not be CE marked. Additionally, the part numbers that TE has identified as EU ELV compliant have a maximum concentration of 0.1% by weight in homogenous materials for lead, hexavalent chromium, and mercury, and 0.01% for cadmium, or qualify for an exemption to these limits as defined in the Annexes of Directive 2000/53/EC (ELV). Regarding the REACH Regulation, the information TE provides on SVHC in articles for this part number is based on the latest European Chemicals Agency (ECHA) 'Guidance on requirements for substances in articles' posted at this URL: <https://echa.europa.eu/guidance-documents/guidance-on-reach>

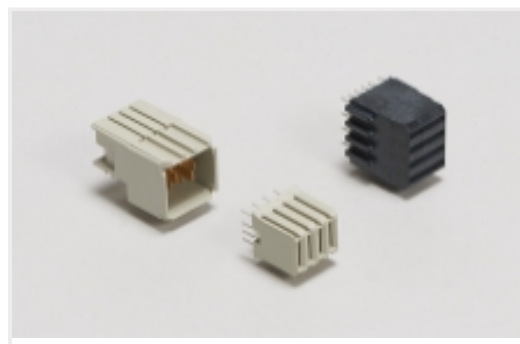
Compatible Parts



Also in the Series | [Z-PACK 2mm HM](#)



Backplane Connector Housings(4)



Backplane Power Connectors(1)



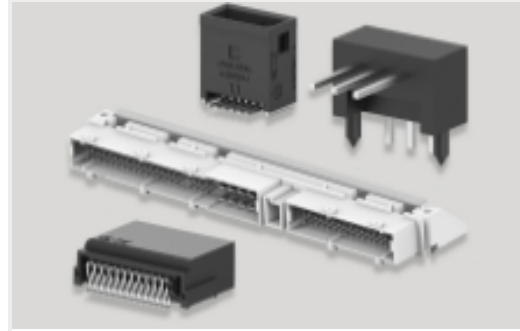
Connector Caps & Covers(62)



Connector Contacts(2)



Insertion & Extraction Tools(2)



PCB Headers & Receptacles(46)

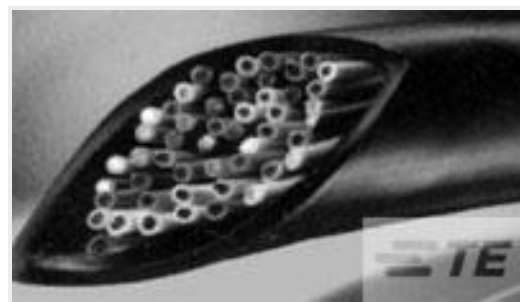


Power Contacts(2)

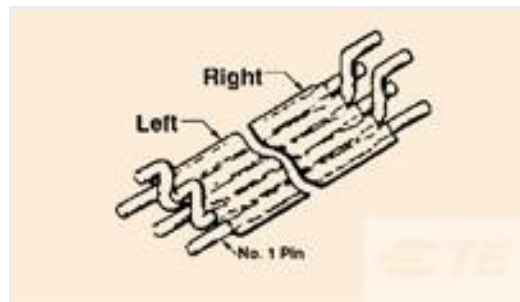
Customers Also Bought



TE Part #1544162-2
CONTACTS A SOUDER



TE Part #D11555-000
NT-MIL-2-0-SP



TE Part #6437132-4
FSN-12D-20



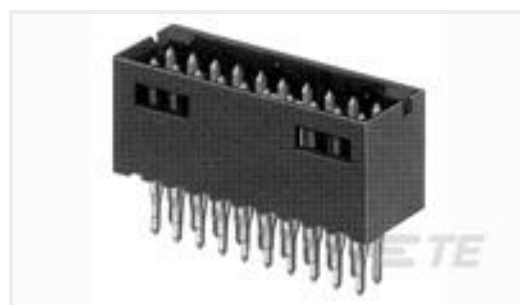
TE Part #50864-6
SOCKET,MIN-SPR SN SER-3



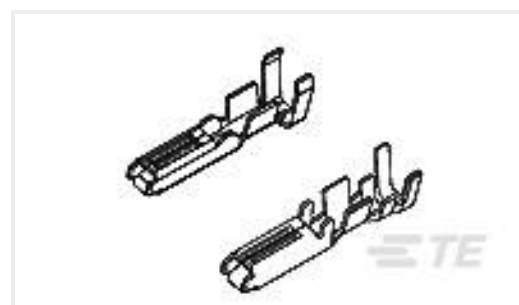
TE Part #5053304040
RNF-100-1-RD-SP



TE Part #1-1825043-3
UP3DTAOLA04,MICROSWITCH,SNAP



TE Part #5-102557-9
10 MODII HDR DRST SHRD A/PIN



TE Part #173630-7
070 MLC REC CONT 24-22 GOLD

Documents

[Product Drawings](#)
[Z-PACK/B M-HDR 125P](#)

English

[CAD Files](#)

[3D PDF](#)

3D

[Customer View Model](#)

[ENG_CVM_CVM_5100785-9_B.2d_dxf.zip](#)



English

Customer View Model

[ENG_CVM_CVM_5100785-9_B.3d_igs.zip](#)

English

Customer View Model

[ENG_CVM_CVM_5100785-9_B.3d_stp.zip](#)

English

By downloading the CAD file I accept and agree to the [Terms and Conditions](#) of use.

Product Specifications

[Application Specification](#)

English