

CGPT-3.2/1.6-X-SP ✓ ACTIVE

RAYCHEM | RAYCHEM CGPT

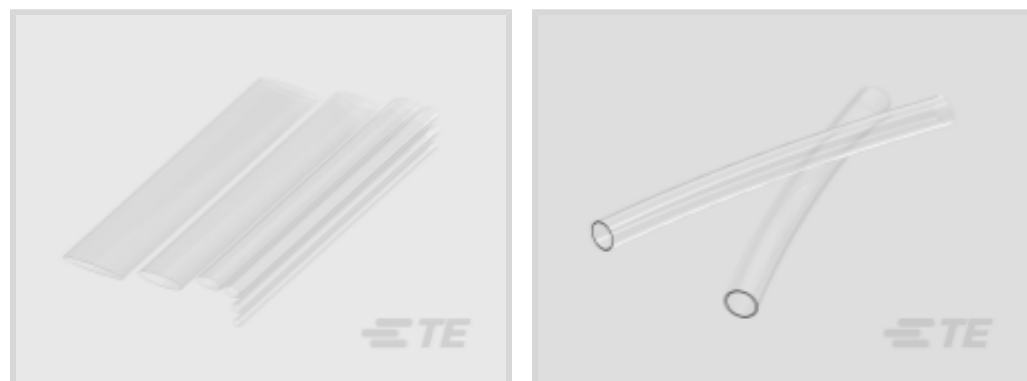
TE Internal #: 5069704005

Heat Shrink Tubing, Clear, 2:1, Single Wall Tubing, Shrinks To 1.6 mm [.063 in], Irradiated Modified Polyolefin, RAYCHEM CGPT

[View on TE.com >](#)



Heat Shrink Tubing > CGPT 2:1 Heat Shrink Tubing



Tubing Product Type: **Heat Shrink Tubing**

Primary Product Color: **Clear**

Shrink Ratio: **2:1**

Wall Type: **Single Wall**

Recovered Inside Diameter (Max): **1.6 mm [.063 in]**

[All CGPT 2:1 Heat Shrink Tubing \(257\)](#)

Features

Electrical Characteristics

Operating Voltage (Max)	.6 kV
-------------------------	-------

Usage Conditions

Shrink Temperature (Min)	80 °C
--------------------------	-------

Tubing Flammability Type	Non-Flame-Retardant
--------------------------	---------------------

Operating Temperature Range	-40 – 135 °C
-----------------------------	--------------

Recovery Temperature	120 °C
----------------------	--------

Dimensions

Recovered Wall Thickness (Nominal)	.5 mm[.02 in]
------------------------------------	---------------

Recovered Wall Thickness (Tolerance)	.12 mm[.005 in]
--------------------------------------	-----------------

Recovered Inside Diameter (Max)	1.6 mm[.063 in]
---------------------------------	-----------------

Expanded Inside Diameter (Min)	3.2 mm[.126 in]
--------------------------------	-----------------

Tubing Size Range	1.6 – 3.2 mm[.063 – .126 in]
-------------------	------------------------------

Body Features

Fluid Type	Lubricating Oil, Hydraulic Fluid, Gasoline
------------	--

Primary Product Color	Clear
-----------------------	-------

Shrink Ratio	2:1
--------------	-----



Primary Product Material	Irradiated Modified Polyolefin
--------------------------	--------------------------------

Flexibility	Flexible
-------------	----------

Product Type Features

Tubing Product Type	Heat Shrink Tubing
---------------------	--------------------

Wall Type	Single Wall
-----------	-------------

Packaging Features

Packaging Method	Box
------------------	-----

Operation/Application

Mechanical Resistance	Mechanical Damage, Fluids, Strain Relief
-----------------------	--

Product Availability

Applicable Region	EMEA, Asia
-------------------	------------

Other

Meets Low Outgassing Requirements	No
-----------------------------------	----

Product Source	Czech Republic
----------------	----------------

EU RoHS Compliance	Compliant
--------------------	-----------

EU ELV Compliance	Compliant
-------------------	-----------

Product Compliance

[For compliance documentation, visit the product page on TE.com>](#)

EU RoHS Directive 2011/65/EU	Compliant
------------------------------	-----------

EU ELV Directive 2000/53/EC	Compliant
-----------------------------	-----------

China RoHS 2 Directive MIIT Order No 32, 2016	No Restricted Materials Above Threshold
---	---

EU REACH Regulation (EC) No. 1907/2006	Current ECHA Candidate List: JUNE 2024 (241) Candidate List Declared Against: JUNE 2024 (241) Does not contain REACH SVHC
--	---

Halogen Content	Low Halogen - Br, Cl, F, I < 900 ppm per homogenous material. Also BFR/CFR/PVC Free
-----------------	---

Solder Process Capability	Not applicable for solder process capability
---------------------------	--

Product Compliance Disclaimer

This information is provided based on reasonable inquiry of our suppliers and represents our current actual knowledge based on the information they provided. This information is subject to change. The part numbers that TE has identified as EU RoHS compliant have a maximum concentration of 0.1% by weight in homogenous materials for lead, hexavalent chromium, mercury, PBB, PBDE, DBP, BBP, DEHP, DIBP, and 0.01% for cadmium, or qualify for an exemption to these

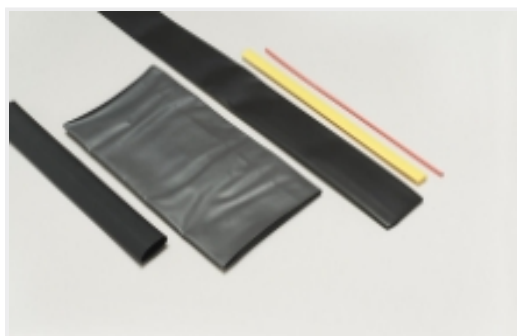
limits as defined in the Annexes of Directive 2011/65/EU (RoHS2). Finished electrical and electronic equipment products will be CE marked as required by Directive 2011/65/EU. Components may not be CE marked. Additionally, the part numbers that TE has identified as EU ELV compliant have a maximum concentration of 0.1% by weight in homogenous materials for lead, hexavalent chromium, and mercury, and 0.01% for cadmium, or qualify for an exemption to these limits as defined in the Annexes of Directive 2000/53/EC (ELV). Regarding the REACH Regulation, the information TE provides on SVHC in articles for this part number is based on the latest European Chemicals Agency (ECHA) 'Guidance on requirements for substances in articles' posted at this URL: <https://echa.europa.eu/guidance-documents/guidance-on-reach>

Compatible Parts



TE Part # EG1114-000
CV1981-ST-230V1600W-EU

Also in the Series | RAYCHEM CGPT



Heat Shrink Tubing(342)



Orange Heat Shrink Tubing(1)



Power Cable Tubing & Accessories(8)



Single Wall Tubing(341)

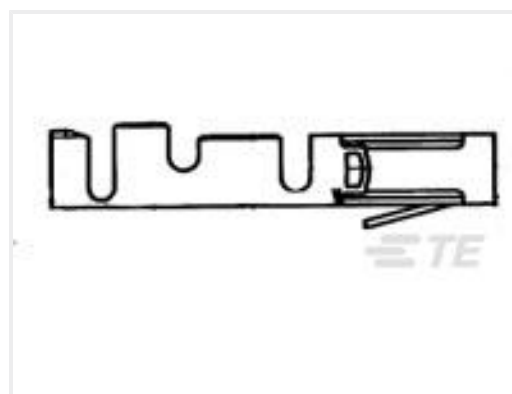
Customers Also Bought



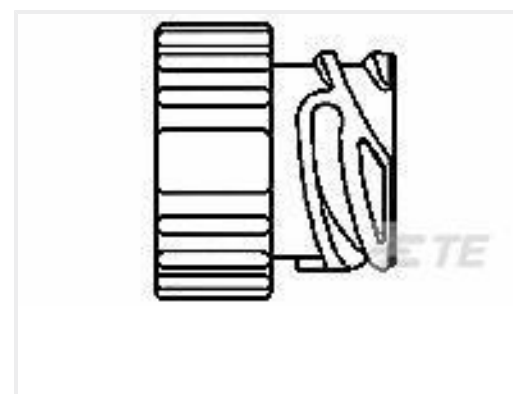
TE Part #1-1703843-1
3POS,TAB 1.6X0.6,TAB HSG,ASSY,



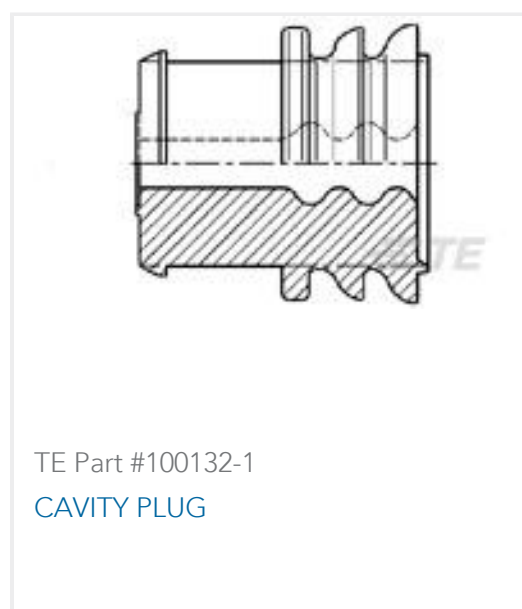
TE Part #100504-233
CONT SOC ASSY



TE Part #280530-4
MOD2 BUCHSE



TE Part #185636-1
PROTECT CAP 2.5MM PLUG



Documents

Product Drawings

[CGPT-3.2/1.6-X-SP](#)

English

Datasheets & Catalog Pages

[cgpt-tubing](#)

English

Product Specifications

[Application Specification](#)

English