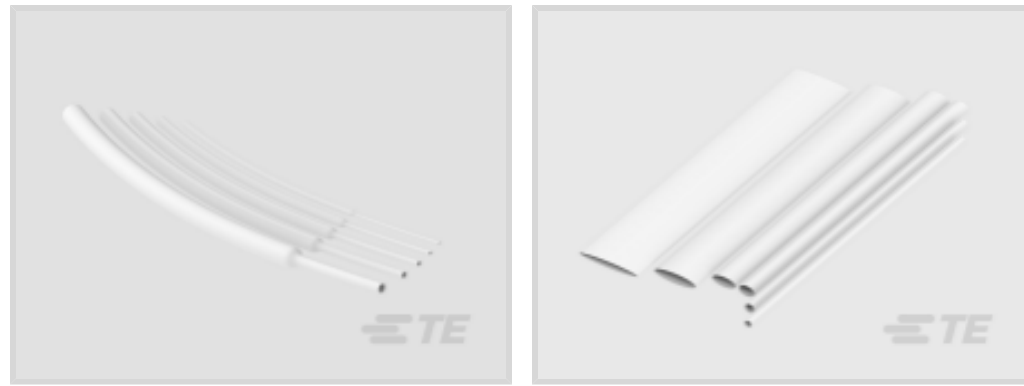


RNF-100-1/2-9-SP ✓ ACTIVE

TE Internal #: 5053234022

TE Internal Description: RNF-100-1/2-9-SP

[View on TE.com >](#)



Product Compliance

[For compliance documentation, visit the product page on TE.com>](#)

EU RoHS Directive 2011/65/EU	Compliant
EU ELV Directive 2000/53/EC	Compliant
China RoHS 2 Directive MIIT Order No 32, 2016	有害物质含量符合标准要求 No Restricted Substance(s) Above Threshold
EU REACH Regulation (EC) No. 1907/2006	Current ECHA Candidate List: JUNE 2025 (250) Candidate List Declared Against: JUNE 2025 (250) Does not contain REACH SVHC
Halogen Content	Not Low Halogen - contains Br or Cl > 900 ppm.
Solder Process Capability	Not applicable for solder process capability

Product Compliance Disclaimer

This information is provided based on reasonable inquiry of our suppliers and represents our current actual knowledge based on the information they provided. This information is subject to change. The part numbers that TE has identified as EU RoHS compliant have a maximum concentration of 0.1% by weight in homogenous materials for lead, hexavalent chromium, mercury, PBB, PBDE, DBP, BBP, DEHP, DIBP, and 0.01% for cadmium, or qualify for an exemption to these limits as defined in the Annexes of Directive 2011/65/EU (RoHS2). Finished electrical and electronic equipment products will be CE marked as required by Directive 2011/65/EU. Components may not be CE marked. Additionally, the part numbers that TE has identified as EU ELV compliant have a maximum concentration of 0.1% by weight in homogenous materials for lead, hexavalent chromium, and mercury, and 0.01% for cadmium, or qualify for an exemption to these limits as defined in the Annexes of Directive 2000/53/EC (ELV). Regarding the REACH Regulation, the information TE provides on SVHC in articles for this part number is based on the latest European Chemicals Agency (ECHA) 'Guidance on requirements for substances in articles' posted at this URL: <https://echa.europa.eu/guidance-documents/guidance-on-reach>

Customers Also Bought



TE Part #ZPF000000000008705
983-6SE 08-03 PN



TE Part #5053284031
RNF-100-3/4-9-SP



TE Part #ZPF000000000007454
983-0SE 08-03 P6



TE Part #696488-000
B-900-01



TE Part #5053134034
RNF-100-1/4-9-SP



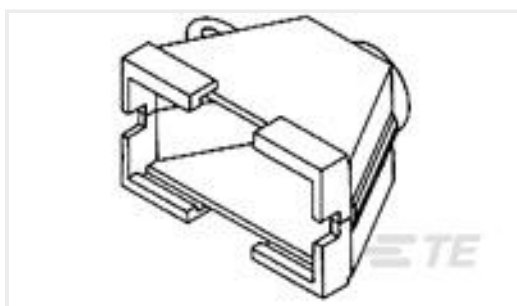
TE Part #ZPF000000000007464
983-0SE 08-03 PN



TE Part #931156-000
S1125-KIT-4



TE Part #5053184028
RNF-100-3/8-9-SP



TE Part #350373-1
06P STR/REL HSG HNGD



TE Part #1676979-2
TW 1W 100R 6.35X25PL

Documents

Product Drawings

[RNF-100-1/2-9-SP](#)

English

Datasheets & Catalog Pages

[Application Tooling for Raychem Heat Shrink Product](#)

English

[RNF-100 Pages from 9-1773447-9](#)

English

Product Specifications

[Quality Specification](#)

English

Agency Approvals

[UL](#)

English