

5051426-5 ✓ ACTIVE

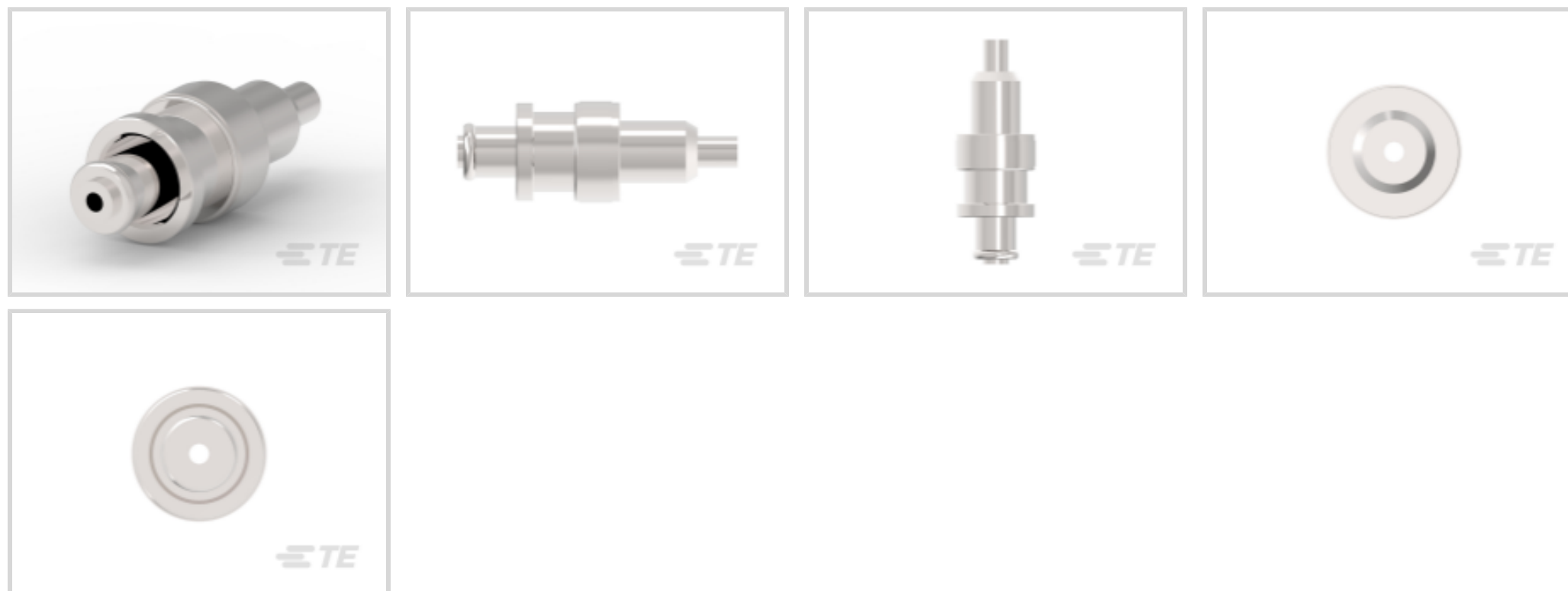
TE Internal #: 5051426-5

SHV Connector, Plug, Bayonet, .3 GHz, Cable-to-Board, 1 Position, Sealable, Wire & Cable, Cable Mount (Free-Hanging), -55 – 155 °C [-67 – 311 °F]

[View on TE.com >](#)



Connectors > RF Connectors > Coax Connectors



RF Interface: **SHV**

RF Connector Style: **Plug**

RF Connector Mated Outer Diameter (Approximate): **14.43 mm [.568 in]**

Compatible With RF Cable Type: **Belden 9291, RG 59B, Belden 9209, RG 59A, RG 210, RG 124, Belden 9269, RG 140, RG 59, RG 62B, RG 62, RG 62A**

RF Connector Coupling Mechanism: **Bayonet**

Features

Contact Features

Crimp Type	Dual Crimp
RF Connector Center Contact Underplating Material	Nickel
RF Connector Center Contact Plating Material	Gold
RF Connector Center Contact Material	Beryllium Copper

Product Type Features

Connector Seal & Plug Type	Gasket
RF Interface	SHV
RF Connector Style	Plug
Compatible With RF Cable Type	Belden 9291, RG 59B, Belden 9209, RG 59A, RG 210, RG 124, Belden 9269, RG 140, RG 59, RG 62B, RG 62, RG 62A
Connector System	Cable-to-Board
Sealable	Yes
Connector & Contact Terminates To	Wire & Cable



Dimensions

RF Connector Mated Outer Diameter (Approximate)	14.43 mm [.568 in]
---	--------------------

Mechanical Attachment

RF Connector Coupling Mechanism	Bayonet
Connector Mounting Type	Cable Mount (Free-Hanging)
RF Contact Captivation Method	Mechanical
Detent	With

Operation/Application

Operating Frequency	.3 GHz
---------------------	--------

Configuration Features

Number of Positions	1
Number of Coaxial Contacts	1

Body Features

Cable Connector Orientation	Straight
Body Material	Brass
Body Material Finish	Bright
Body Plating Material	Nickel

Termination Features

Termination Method to Wire & Cable	Crimp
------------------------------------	-------

Usage Conditions

Operating Temperature Range	-55 – 155 °C [-67 – 311 °F]
-----------------------------	-----------------------------

Packaging Features

Packaging Method	Carton
------------------	--------

Other

Dielectric Material	PTFE
EU RoHS Compliance	Compliant with Exemptions
EU ELV Compliance	Compliant with Exemptions

Product Compliance

For compliance documentation, visit the product page on TE.com>

EU RoHS Directive 2011/65/EU	Compliant with Exemptions
------------------------------	---------------------------



EU ELV Directive 2000/53/EC

Compliant with Exemptions

China RoHS 2 Directive MIIT Order No 32, 2016

Restricted Materials Above Threshold

EU REACH Regulation (EC) No. 1907/2006

Current ECHA Candidate List: JUNE 2024 (241)

Candidate List Declared Against: JAN 2024 (240)

SVHC > Threshold:

Pb (3.7% in Component Part)

Article Safe Usage Statements:

Do not eat, drink or smoke when using this product. Wash thoroughly after handling. Recycle if possible and dispose of the article by following all applicable governmental regulations relevant to your geographic location.

Halogen Content

BFR/CFR/PVC Free, but Br/Cl >900 ppm in other sources.

Solder Process Capability

Not applicable for solder process capability

Product Compliance Disclaimer

This information is provided based on reasonable inquiry of our suppliers and represents our current actual knowledge based on the information they provided. This information is subject to change. The part numbers that TE has identified as EU RoHS compliant have a maximum concentration of 0.1% by weight in homogenous materials for lead, hexavalent chromium, mercury, PBB, PBDE, DBP, BBP, DEHP, DIBP, and 0.01% for cadmium, or qualify for an exemption to these limits as defined in the Annexes of Directive 2011/65/EU (RoHS2). Finished electrical and electronic equipment products will be CE marked as required by Directive 2011/65/EU. Components may not be CE marked. Additionally, the part numbers that TE has identified as EU ELV compliant have a maximum concentration of 0.1% by weight in homogenous materials for lead, hexavalent chromium, and mercury, and 0.01% for cadmium, or qualify for an exemption to these limits as defined in the Annexes of Directive 2000/53/EC (ELV). Regarding the REACH Regulation, the information TE provides on SVHC in articles for this part number is based on the latest European Chemicals Agency (ECHA) 'Guidance on requirements for substances in articles' posted at this URL: <https://echa.europa.eu/guidance-documents/guidance-on-reach>

Compatible Parts



TE Part # 51421-2
SHV PANEL RECPT



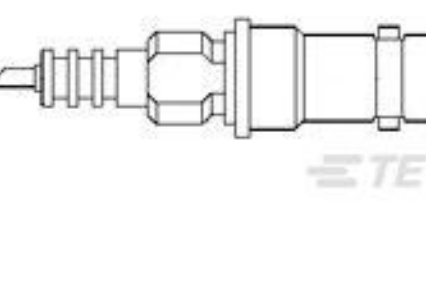
TE Part # 5225059-3
SHV Jack Str Bulkhead Crimp RG-59, RG-62



TE Part # 51494-2
STD HIGH VOLTAGE BLKHD RECEP



TE Part # 5051426-8
SHV Plug Str Crimp RG-174, RG-188



TE Part # 51494-1
SAFE HIGH VOLTAGE BLKHD RECEP



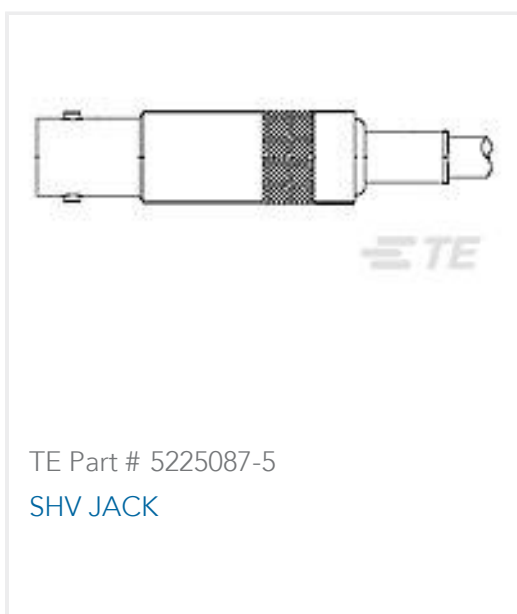
TE Part # 5051494-1
SAFE HIGH VOLTAGE BLKHD RECEP



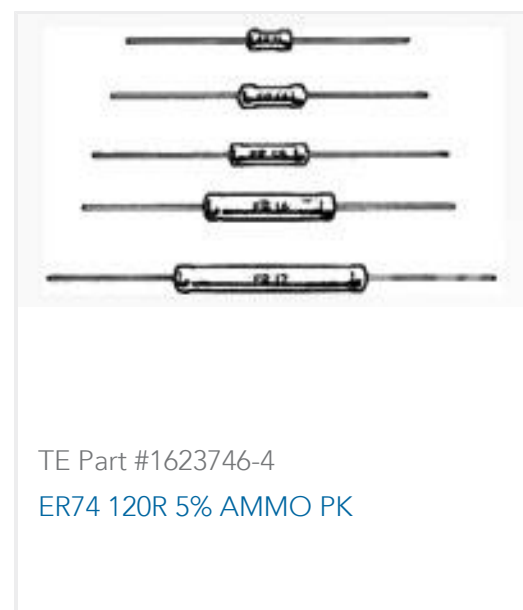
TE Part # 5051426-2
SAFE HIGH VOLTAGE PLUG



TE Part # 5051426-4
SAFE HIGH VOLTAGE PLUG



Customers Also Bought



Documents

CAD Files

3D PDF

English

Customer View Model

[ENG_CVM_5051426-5_A1.2d_dxf.zip](#)

English

Customer View Model

[ENG_CVM_5051426-5_A1.3d_igs.zip](#)

English

5051426-5

SHV Connector, Plug, Bayonet, .3 GHz, Cable-to-Board, 1 Position, Sealable, Wire & Cable, Cable Mount (Free-Hanging), -55 – 155 °C [-67 – 311 °F]



Customer View Model

[ENG_CVM_5051426-5_A1.3d_stp.zip](#)

English

By downloading the CAD file I accept and agree to the [Terms and Conditions](#) of use.