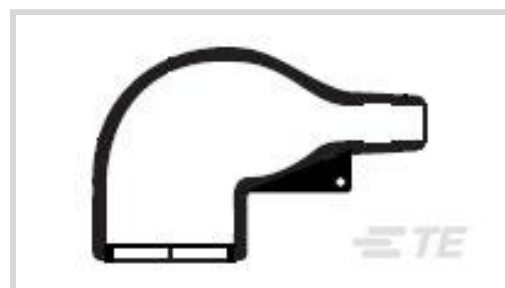




Wire Protection & Management > Heat Shrink Shapes > Heat Shrink Boots



Body Orientation: **Right Angle**

Molded Part Shape Code: **222**

Lipped: **Yes**

Material Code: **100**

Material Systems Code: **100**

### Features

#### Configuration Features

Lipped	Yes
Adhesive Requirement	Adhesive Purchased Separately

#### Body Features

Primary Product Material	Low Fire Hazard Material
Material Code	100
Material Systems Code	100

#### Housing Features

Body Orientation	Right Angle
------------------	-------------

#### Dimensions

Compatible Cable Diameter (Max)	7 mm, 8 mm, 9 mm, 10 mm [.27 in][.314 in][.39 in]
Compatible Cable Diameter Range	5.9 – 14 mm [5.9 – 15 in]

#### Usage Conditions

Flammability Performance	Low Fire Hazard
Operating Temperature Range	-30 – 105 °C [-22 – 221 °F]
Resistance Protection	Long-Term Fluid Exposure at High Temperatures

#### Industry Standards

--	--



Compatible With Approved Standards Products	BR1326 listed Class G, BS-G-198-5-DF, DEF Std 59-97 Issue 3 Type DF, IEC 62329-3-101
---	--

**Other**

Molded Part Shape Code	222
------------------------	-----

**Product Compliance**

[For compliance documentation, visit the product page on TE.com>](#)

EU RoHS Directive 2011/65/EU	Compliant
EU ELV Directive 2000/53/EC	Out of Scope
China RoHS 2 Directive MIIT Order No 32, 2016	有害物质含量符合标准要求 No Restricted Substance(s) Above Threshold
EU REACH Regulation (EC) No. 1907/2006	Current ECHA Candidate List: JUNE 2025 (250) Candidate List Declared Against: JUNE 2025 (250) Does not contain REACH SVHC
Halogen Content	Low Halogen - Br, Cl, F < 900 ppm per homogenous material. Also BFR/CFR/PVC Free
Solder Process Capability	Not applicable for solder process capability

**Product Compliance Disclaimer**

This information is provided based on reasonable inquiry of our suppliers and represents our current actual knowledge based on the information they provided. This information is subject to change. The part numbers that TE has identified as EU RoHS compliant have a maximum concentration of 0.1% by weight in homogenous materials for lead, hexavalent chromium, mercury, PBB, PBDE, DBP, BBP, DEHP, DIBP, and 0.01% for cadmium, or qualify for an exemption to these limits as defined in the Annexes of Directive 2011/65/EU (RoHS2). Finished electrical and electronic equipment products will be CE marked as required by Directive 2011/65/EU. Components may not be CE marked. Additionally, the part numbers that TE has identified as EU ELV compliant have a maximum concentration of 0.1% by weight in homogenous materials for lead, hexavalent chromium, and mercury, and 0.01% for cadmium, or qualify for an exemption to these limits as defined in the Annexes of Directive 2000/53/EC (ELV). Regarding the REACH Regulation, the information TE provides on SVHC in articles for this part number is based on the latest European Chemicals Agency (ECHA) 'Guidance on requirements for substances in articles' posted at this URL: <https://echa.europa.eu/guidance-documents/guidance-on-reach>

**Compatible Parts**



## Customers Also Bought



TE Part #A130153001  
VG-95218-T028-C012CK3100



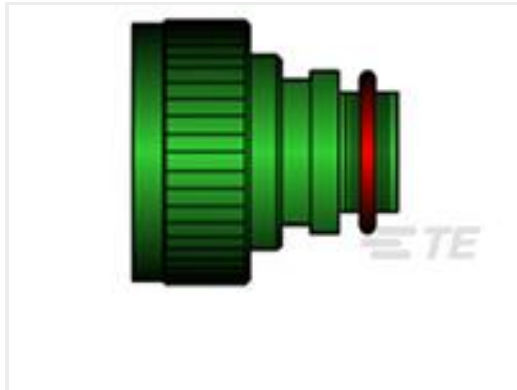
TE Part #746004-000  
222K174-100-0



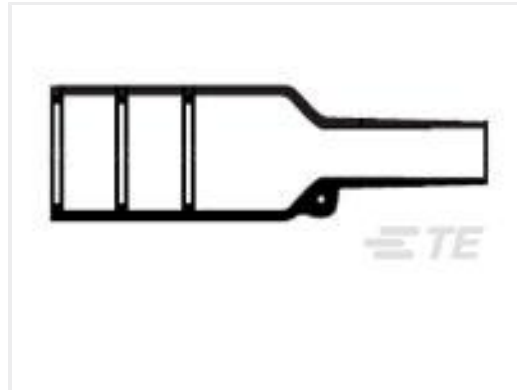
TE Part #019147-000  
TXR40AB00-1007AI



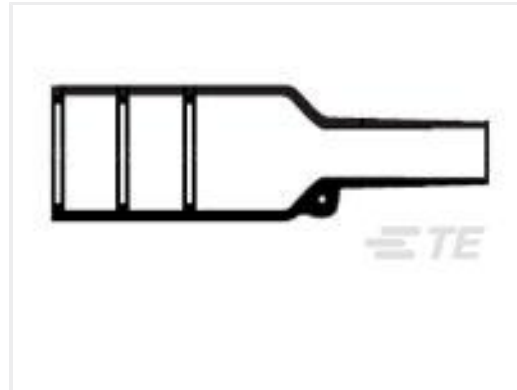
TE Part #C63448-000  
ST58-2-00



TE Part #412750-000  
TXR40AB00-2010AI



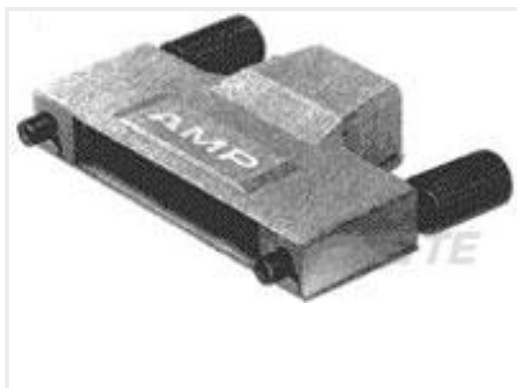
TE Part #312479-000  
202K132-100-0



TE Part #339982-000  
202K153-100-0



TE Part #9-1462038-7  
IM43CGR=IM RELAY 100mW 5V BIS



TE Part #5749080-1  
50 50SR BSHLL KIT,M/J-SCR



TE Part #5749111-4  
50 50SR CABLE PLUG ASSY

## Documents

### Product Drawings

[222K132-100-0](#)

English

### Datasheets & Catalog Pages

[1654025\\_Sec4\\_-100](#)

English

### Raychem Molded Parts Visual Guide

English

### Product Specifications

[Product Specification](#)

English