

845250067 ✓ ACTIVE

DEUTSCH

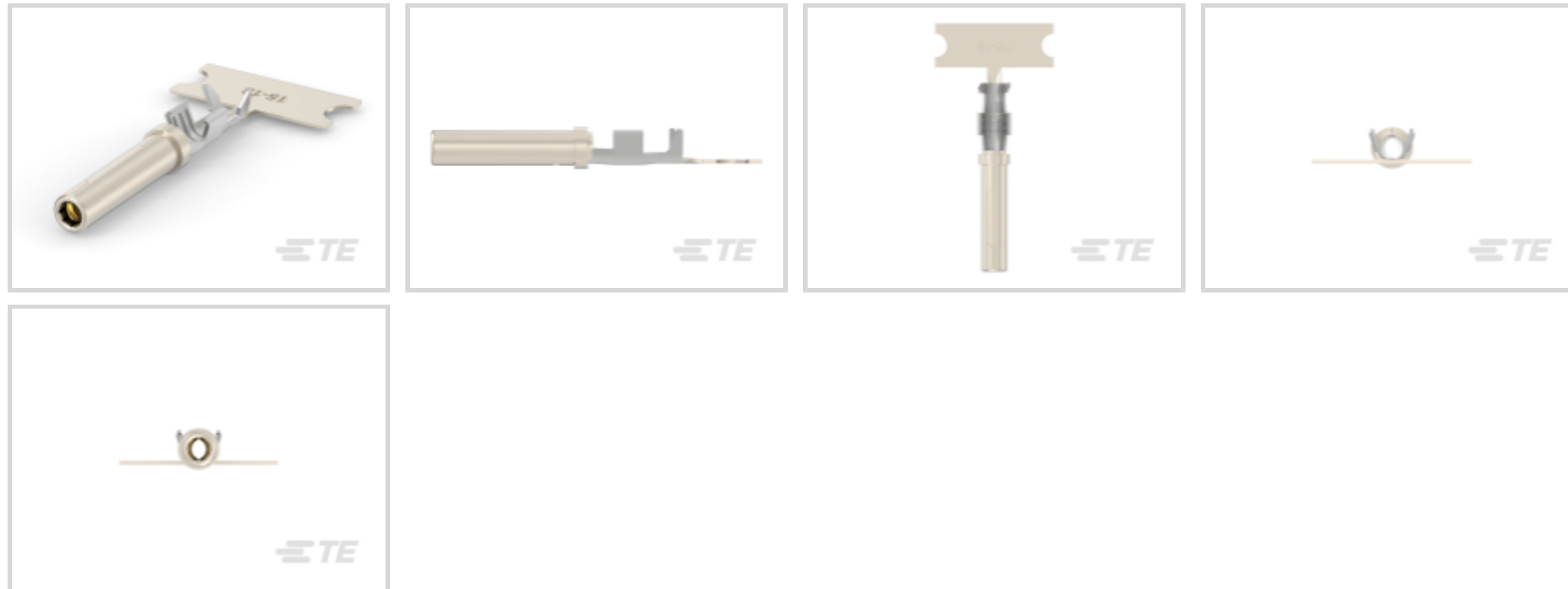
TE Internal #: 5-2600021-5

Socket Terminal, Gold (Au), 1.62 mm [.063 in] Pin Diameter, 20 – 24 AWG, .5 – .2 mm² Wire, Terminates To Wire, 20.22 mm [.796 in] Tab Length

[View on TE.com >](#)



Terminals & Splices > Automotive Terminals



Terminal Type: **Socket**

Interface Plating: **Gold (Au)**

Mating Pin Diameter: **1.62 mm [.063 in]**

Terminal Transmits: **0 – 24 A (Low Power)**

Wire Size: **20 – 24 AWG**

Features

Usage Conditions

Insulation Option	Uninsulated
-------------------	-------------

Operation/Application

Compatible With Wire Base Material	Copper
------------------------------------	--------

Packaging Features

Packaging Method	Reel
Packaging Quantity	3000

Termination Features

Termination Method to Wire & Cable	Crimp
Product Terminates To	Wire

Contact Features

Typical Current Rating	10 A
Crimp Type	F-Crimp
Contact Size	Size 16



Contact Fabrication	Stamped & Formed
Terminal Type	Socket
Interface Plating	Gold (Au)
Mating Pin Diameter	1.62 mm [.063 in]

Product Type Features

Primary Locking Feature	Clean Body
-------------------------	------------

Dimensions

Wire Size	.5 – .2 mm ²
Wire Size Search	.3 mm ² , .25 mm ² , .5 mm ² , .4 mm ² , .2 mm ²
Tab Length	20.22 mm [.796 in]

Other

Terminal Transmits	0 – 24 A (Low Power)
EU RoHS Compliance	Compliant
EU ELV Compliance	Compliant

Product Compliance

[For compliance documentation, visit the product page on TE.com>](#)

EU RoHS Directive 2011/65/EU	Compliant
EU ELV Directive 2000/53/EC	Compliant
China RoHS 2 Directive MIIT Order No 32, 2016	No Restricted Materials Above Threshold
EU REACH Regulation (EC) No. 1907/2006	Current ECHA Candidate List: JUNE 2024 (241) Candidate List Declared Against: JUNE 2024 (241) Does not contain REACH SVHC
Halogen Content	Low Halogen - Br, Cl, F, I < 900 ppm per homogenous material. Also BFR/CFR/PVC Free
Solder Process Capability	Not reviewed for solder process capability

Product Compliance Disclaimer

This information is provided based on reasonable inquiry of our suppliers and represents our current actual knowledge based on the information they provided. This information is subject to change. The part numbers that TE has identified as EU RoHS compliant have a maximum concentration of 0.1% by weight in homogenous materials for lead, hexavalent chromium, mercury, PBB, PBDE, DBP, BBP, DEHP, DIBP, and 0.01% for cadmium, or qualify for an exemption to these limits as defined in the Annexes of Directive 2011/65/EU (RoHS2). Finished electrical and electronic equipment products will be CE marked as required by Directive 2011/65/EU. Components may not be CE marked. Additionally, the part numbers that TE has identified as EU ELV compliant have a maximum concentration of 0.1% by weight in homogenous materials for lead, hexavalent chromium, and mercury, and 0.01% for cadmium, or qualify for an exemption to these limits

as defined in the Annexes of Directive 2000/53/EC (ELV). Regarding the REACH Regulation, the information TE provides on SVHC in articles for this part number is based on the latest European Chemicals Agency (ECHA) 'Guidance on requirements for substances in articles' posted at this URL: <https://echa.europa.eu/guidance-documents/guidance-on-reach>

Compatible Parts



TE Part # 2837879-1
 OCEAN-2.0-APPLICATOR-S-053F080O-RSM



TE Part # 2837877-2
 OCEAN-2.0-APPLICATOR-S-053F073O-RSA



TE Part # 2837878-1
 OCEAN-2.0-APPLICATOR-S-053F075O-RSM



TE Part # 2837877-1
 OCEAN-2.0-APPLICATOR-S-053F073O-RSM



TE Part # 2837878-2
 OCEAN-2.0-APPLICATOR-S-053F075O-RSA



TE Part # 2837879-2
 OCEAN-2.0-APPLICATOR-S-053F080O-RSA



KIT
 REPRESENTATION ONLY

TE Part # 7-2837878-7
 OCEAN_2.0_SPARE_PART_KIT-053F075O



KIT
 REPRESENTATION ONLY

TE Part # 7-2837877-7
 OCEAN_2.0_SPARE_PART_KIT-053F073O



TE Part # 5-2600020-3
 XRC PIN TERMINAL 20-24 AWG Gold Plated



KIT
 REPRESENTATION ONLY

TE Part # 7-2837879-7
 OCEAN_2.0_SPARE_PART_KIT-053F080O

Customers Also Bought



TE Part #204351-1
 SZ 22 SOCKET CONTACT



TE Part #205090-1
 HD 20 SOCKET CONTACT



TE Part #1757823-2
 AMPLIMITE,ASY,PLUG,STD,90,ZN,2



TE Part #1757820-3
 AMPLIMITE,ASY,RCPT,STD,109,ZN,3



Documents

Product Drawings

[XRC SOCKET 20-24 AWG Gold Plated](#)

English

CAD Files

[3D PDF](#)

3D

Customer View Model

[ENG_CVM_CVM_5-2600021-5_1.2d_dxf.zip](#)

English

Customer View Model

[ENG_CVM_CVM_5-2600021-5_1.3d_igs.zip](#)

English

Customer View Model

[ENG_CVM_CVM_5-2600021-5_1.3d_stp.zip](#)

English

By downloading the CAD file I accept and agree to the [Terms and Conditions](#) of use.

Product Specifications

[Application Specification](#)

English