

845240034 ✓ ACTIVE



DEUTSCH

TE Internal #: 5-2600020-3

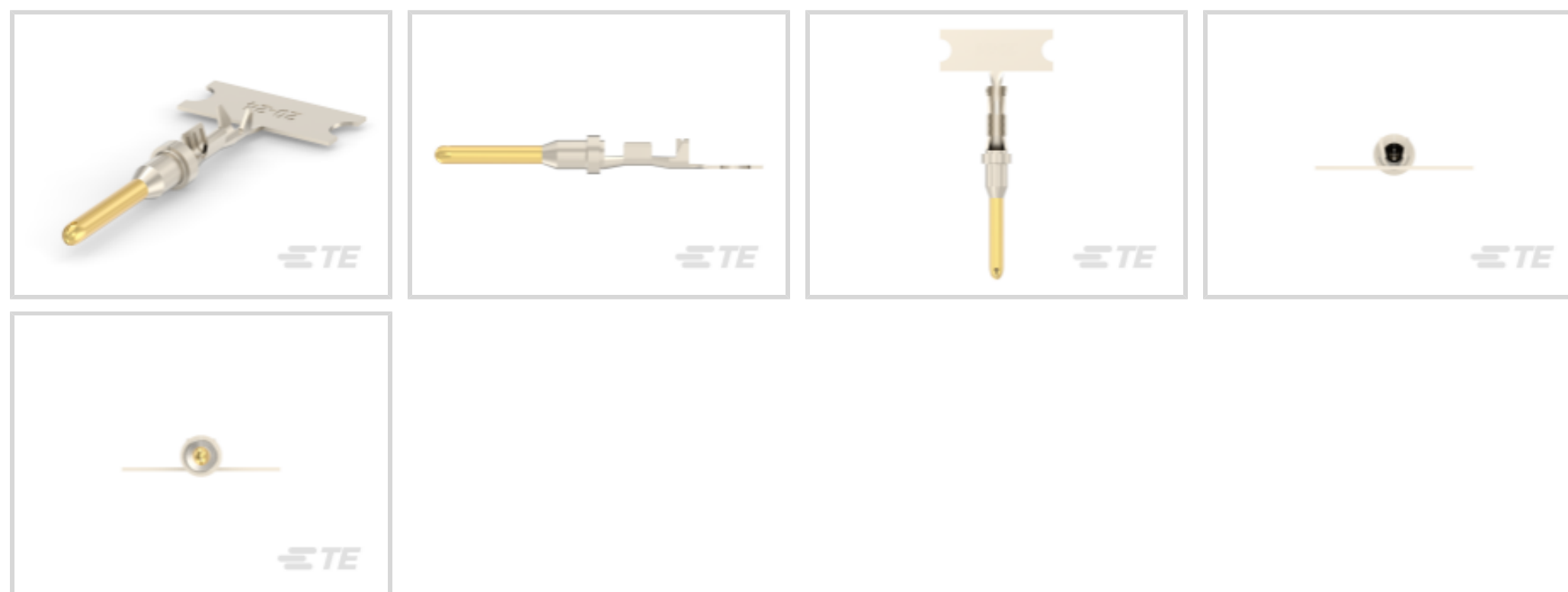
Pin Terminal, Gold (Au), 1.56 mm [.061 in] Pin Diameter, 20 – 24

AWG, .5 – .2 mm<sup>2</sup> Wire, Terminates To Wire, 21.79 mm [.857 in] Tab

Length

[View on TE.com >](#)

Terminals & Splices > Automotive Terminals



Terminal Type: Pin

Interface Plating: Gold (Au)

Mating Pin Diameter: 1.56 mm [.061 in]

Terminal Transmits: 0 – 24 A (Low Power)

Wire Size: 20 – 24 AWG

## Features

### Operation/Application

Compatible With Wire Base Material

Copper

### Packaging Features

Packaging Method

Reel

Packaging Quantity

3000

### Usage Conditions

Insulation Option

Uninsulated

Operating Temperature (Max)

125 °C[257 °F]

Operating Temperature Range

-40 – 125 °C[-40 – 257 °F]

### Termination Features

Termination Method to Wire & Cable

Crimp

Product Terminates To

Wire

### Contact Features

Typical Current Rating

10 A



|                     |                   |
|---------------------|-------------------|
| Crimp Type          | F-Crimp           |
| Contact Size        | Size 16           |
| Contact Fabrication | Stamped & Formed  |
| Terminal Type       | Pin               |
| Interface Plating   | Gold (Au)         |
| Mating Pin Diameter | 1.56 mm [.061 in] |

### Product Type Features

|                         |            |
|-------------------------|------------|
| Primary Locking Feature | Clean Body |
|-------------------------|------------|

### Dimensions

|                  |   |
|------------------|---|
| Wire Size        | .5 – .2 mm <sup>2</sup>   |
| Wire Size Search | .3 mm <sup>2</sup> , .25 mm <sup>2</sup> , .5 mm <sup>2</sup> , .4 mm <sup>2</sup> , .2 mm <sup>2</sup> |
| Tab Length       | 21.79 mm [.857 in]  |

### Other

|                    |                      |
|--------------------|----------------------|
| Terminal Transmits | 0 – 24 A (Low Power) |
| EU RoHS Compliance | Compliant            |
| EU ELV Compliance  | Compliant            |

### Product Compliance

[For compliance documentation, visit the product page on TE.com>](#)

|   |   |
|---|---|
| EU RoHS Directive 2011/65/EU                  | Compliant   |
| EU ELV Directive 2000/53/EC                   | Compliant   |
| China RoHS 2 Directive MIIT Order No 32, 2016 | No Restricted Materials Above Threshold   |
| EU REACH Regulation (EC) No. 1907/2006        | Current ECHA Candidate List: JUNE 2024 (241)<br>Candidate List Declared Against: JUNE 2024 (241)<br>Does not contain REACH SVHC |
| Halogen Content                               | Low Halogen - Br, Cl, F, I < 900 ppm per homogenous material. Also BFR/CFR/PVC Free   |
| Solder Process Capability                     | Not reviewed for solder process capability  |

#### Product Compliance Disclaimer

This information is provided based on reasonable inquiry of our suppliers and represents our current actual knowledge based on the information they provided. This information is subject to change. The part numbers that TE has identified as EU RoHS compliant have a maximum concentration of 0.1% by weight in homogenous materials for lead, hexavalent chromium, mercury, PBB, PBDE, DBP, BBP, DEHP, DIBP, and 0.01% for cadmium, or qualify for an exemption to these

limits as defined in the Annexes of Directive 2011/65/EU (RoHS2). Finished electrical and electronic equipment products will be CE marked as required by Directive 2011/65/EU. Components may not be CE marked. Additionally, the part numbers that TE has identified as EU ELV compliant have a maximum concentration of 0.1% by weight in homogenous materials for lead, hexavalent chromium, and mercury, and 0.01% for cadmium, or qualify for an exemption to these limits as defined in the Annexes of Directive 2000/53/EC (ELV). Regarding the REACH Regulation, the information TE provides on SVHC in articles for this part number is based on the latest European Chemicals Agency (ECHA) 'Guidance on requirements for substances in articles' posted at this URL: <https://echa.europa.eu/guidance-documents/guidance-on-reach>

## Compatible Parts



**KIT** REPRESENTATION ONLY

TE Part # 7-2837879-7  
 OCEAN\_2.0\_SPARE\_PART\_KIT-053F080O



**KIT** REPRESENTATION ONLY

TE Part # 7-2837877-7  
 OCEAN\_2.0\_SPARE\_PART\_KIT-053F073O



TE Part # 2837879-2  
 OCEAN-2.0-APPLICATOR-S-053F080O-RSA



TE Part # 2836770-1  
 OCEAN\_2.0\_Applicator-S-077F100F-RSM



**KIT** REPRESENTATION ONLY

TE Part # 7-2837878-7  
 OCEAN\_2.0\_SPARE\_PART\_KIT-053F075O



TE Part # 2837879-1  
 OCEAN-2.0-APPLICATOR-S-053F080O-RSM



TE Part # 2837877-2  
 OCEAN-2.0-APPLICATOR-S-053F073O-RSA



TE Part # 2837878-1  
 OCEAN-2.0-APPLICATOR-S-053F075O-RSM



TE Part # 2837877-1  
 OCEAN-2.0-APPLICATOR-S-053F073O-RSM



TE Part # 2837878-2  
 OCEAN-2.0-APPLICATOR-S-053F075O-RSA

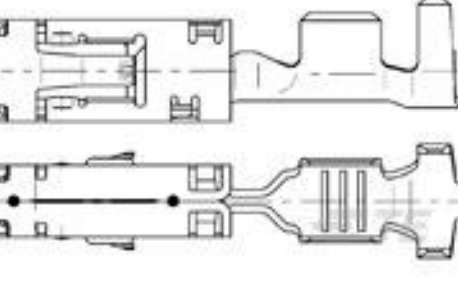


TE Part # 5-2600021-5  
 XRC SOCKET 20-24 AWG Gold Plated

## Customers Also Bought



TE Part #1670789-1  
 2. LOCK



TE Part #967543-1  
 SENSOR FLA-KONT 2,8



TE Part #2286476-1  
 BLIND PLUG, MCON 1.2 CB



TE Part #1-2112780-9  
 18POS, MIXED, REC HSG, ASSY, SEALED



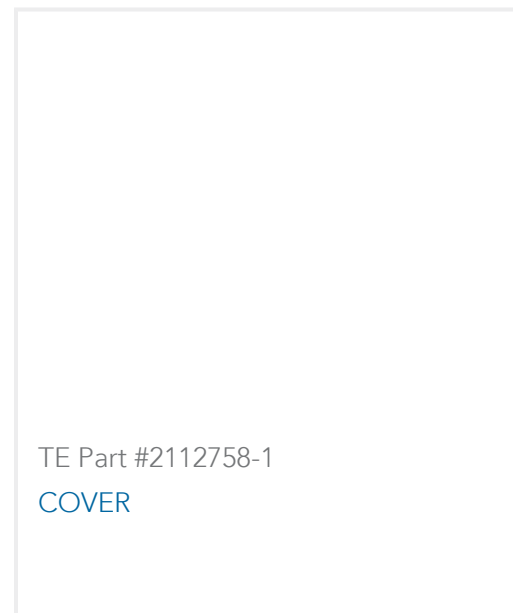
TE Part #6-1579007-1  
EXTRACTION TOOL



TE Part #3-2600021-5  
XRC SOCKET 14-18 AWG Gold Plated



TE Part #5-2600021-5  
XRC SOCKET 20-24 AWG Gold Plated



TE Part #2112758-1  
COVER



TE Part #2600034-1  
6CCT BLACK RECEP W/SMALL SEAL

## Documents

### Product Drawings

[XRC PIN TERMINAL 20-24 AWG Gold Plated](#)

English

### CAD Files

[3D PDF](#)

3D

Customer View Model

[ENG\\_CVM\\_CVM\\_5-2600020-3\\_1.2d\\_dxf.zip](#)

English

Customer View Model

[ENG\\_CVM\\_CVM\\_5-2600020-3\\_1.3d\\_igs.zip](#)

English

Customer View Model

[ENG\\_CVM\\_CVM\\_5-2600020-3\\_1.3d\\_stp.zip](#)

English

By downloading the CAD file I accept and agree to the [Terms and Conditions](#) of use.

### Product Specifications

[Application Specification](#)

English