

EDSP04SGRFSTR04 x OBSOLETE

Alcoswitch | Alcoswitch DIP EDSP

TE Internal #: 5-2319764-7

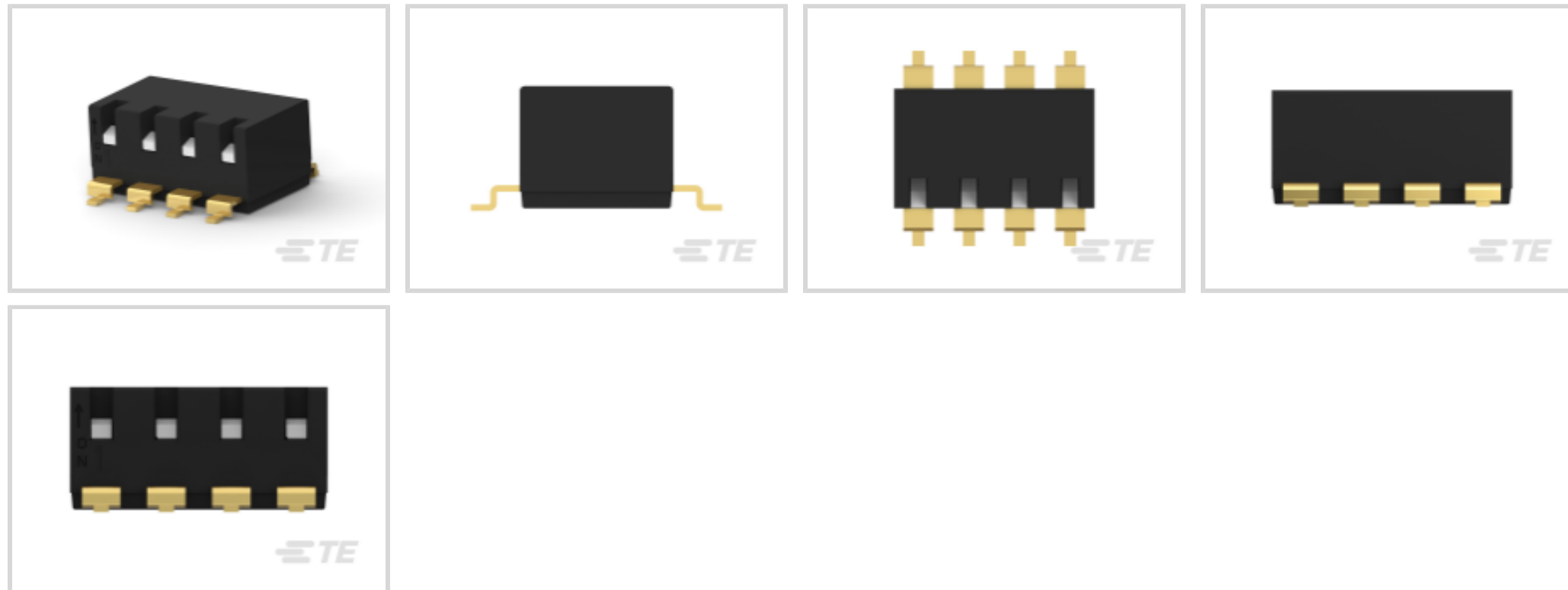
TE Internal Description: E STACK PIANO 4P G SHORT SEAL T&R

PD OFF

[View on TE.com >](#)



Switches > DIP & SIP Switches



DIP & SIP Switch Type: **DIP**

Switch Contact Plating Material: **Gold Flash**

Case Color: **Black**

Case Material: **High Temperature Nylon**

Sealed Device: **Yes**

Features

Dimensions

Product Length	10.06 mm[.4 in]
Product Height	5 mm[.197 in]

Packaging Features

Packaging Method	Tape & Reel
Packaging Quantity	700

Configuration Features

Number of Positions	4
Number of Switches	4
Configuration (Pole-Throw)	Single Pole - Single Throw

Body Features

Sealing Method	Sealing Tape
Actuator Color	White
Product Orientation	Vertical
Case Color	Black



Case Material	High Temperature Nylon
---------------	------------------------

Contact Features

Contact Underplating Material	Nickel
PCB Contact Termination Area Plating Material	Gold Flash
Switch Contact Plating Material	Gold Flash
Contact Base Material	Copper Alloy

Product Type Features

DIP & SIP Switch Type	DIP
Sealed Device	Yes
Actuator Style	Piano (Side Actuated)

Electrical Characteristics

Contact Current Rating	.025 A
Operating Voltage	24 VDC

Termination Features

Termination Method to PCB	Surface Mount
---------------------------	---------------

Housing Features

Centerline (Pitch)	2.54 mm[.1 in]
--------------------	----------------

Other

EU RoHS Compliance	Compliant
--------------------	-----------

Product Compliance

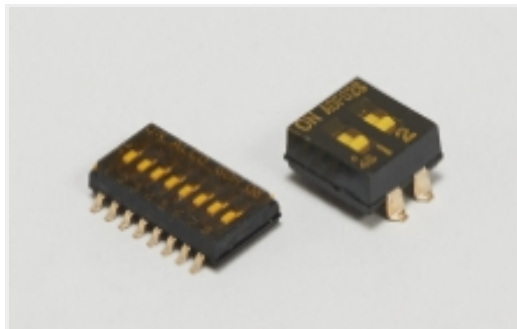
[For compliance documentation, visit the product page on TE.com>](#)

EU RoHS Directive 2011/65/EU	Compliant
EU ELV Directive 2000/53/EC	Not Yet Reviewed
China RoHS 2 Directive MIIT Order No 32, 2016	No Restricted Materials Above Threshold
EU REACH Regulation (EC) No. 1907/2006	Current ECHA Candidate List: JUNE 2024 (241) Candidate List Declared Against: JAN 2020 (205) Does not contain REACH SVHC
Halogen Content	Not Low Halogen - contains Br or Cl > 900 ppm.
Solder Process Capability	Not reviewed for solder process capability

Product Compliance Disclaimer

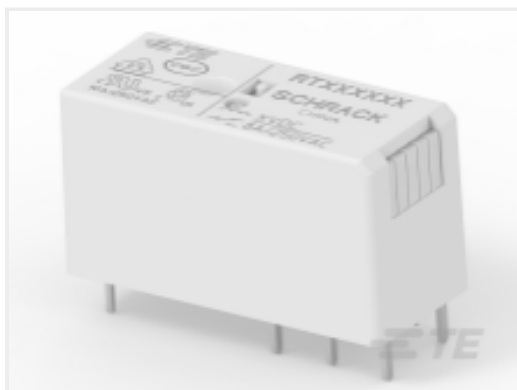
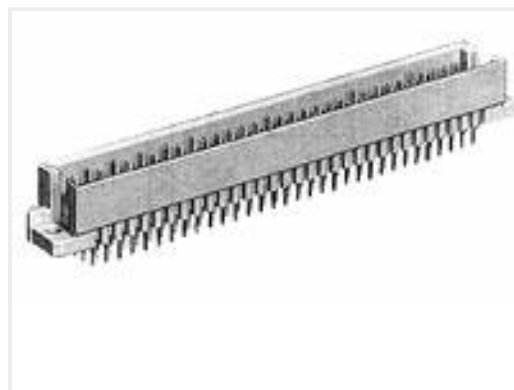
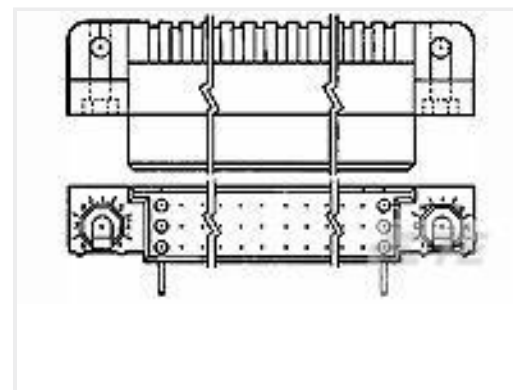
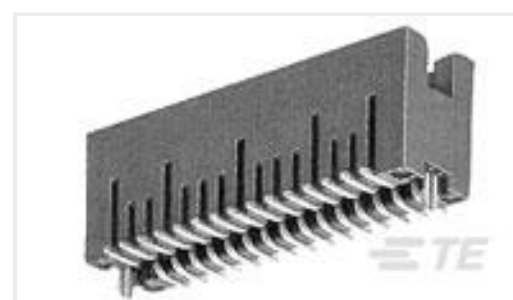
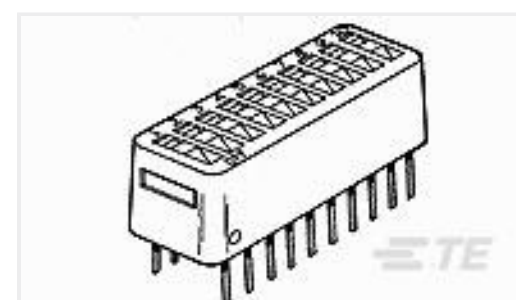
This information is provided based on reasonable inquiry of our suppliers and represents our current actual knowledge based on the information they provided. This information is subject to change. The part numbers that TE has identified as EU RoHS compliant have a maximum concentration of 0.1% by weight in homogenous materials for lead, hexavalent chromium, mercury, PBB, PBDE, DBP, BBP, DEHP, DIBP, and 0.01% for cadmium, or qualify for an exemption to these limits as defined in the Annexes of Directive 2011/65/EU (RoHS2). Finished electrical and electronic equipment products will be CE marked as required by Directive 2011/65/EU. Components may not be CE marked. Additionally, the part numbers that TE has identified as EU ELV compliant have a maximum concentration of 0.1% by weight in homogenous materials for lead, hexavalent chromium, and mercury, and 0.01% for cadmium, or qualify for an exemption to these limits as defined in the Annexes of Directive 2000/53/EC (ELV). Regarding the REACH Regulation, the information TE provides on SVHC in articles for this part number is based on the latest European Chemicals Agency (ECHA) 'Guidance on requirements for substances in articles' posted at this URL: <https://echa.europa.eu/guidance-documents/guidance-on-reach>

Also in the Series | Alcoswitch DIP EDSP



DIP & SIP Switches(20)

Customers Also Bought

TE Part #2-1649329-2
RTE44012TE Part #536019-5
096 EURO TYP R PIN AP MFBL ASYTE Part #5533268-3
ASSY,RECPT,R.ANGLE,HDI,LEAD-FRTE Part #212059-1
RECPT ASSY,SZ 3,AMPLIMITE COAXTE Part #3-5332070-5
SOCKET,MIN-SPR W/KO SN-AU S-4TE Part #532903-3
HDI RECP ASSY 4 ROW 128 POSTE Part #104656-8
80 50/50 HDR DRST SFMNT .320TE Part #4-435626-2
DIP SW 8 POSN W/TAPE AU



TE Part #2101579-2
DUST CAP,RCPT,Sz105,F SERIES

Documents

Product Drawings

[E STACK PIANO 4P G SHORT SEAL T&R PD OFF](#)

English

CAD Files

[3D PDF](#)

3D

Customer View Model

[ENG_CVM_CVM_5-2319764-7_A.2d_dxf.zip](#)

English

Customer View Model

[ENG_CVM_CVM_5-2319764-7_A.3d_igs.zip](#)

English

Customer View Model

[ENG_CVM_CVM_5-2319764-7_A.3d_stp.zip](#)

English

By downloading the CAD file I accept and agree to the [Terms and Conditions](#) of use.