

RQ73C2B464KBTD ✓ ACTIVE

Holsworthy | Holsworthy RQ73

TE Internal #: 5-2176392-3

464K ohm, Thin Film, Precision Resistor, .1 %, 1206, .4 W, ±10 ppm/°C, Solder, 2 Terminations, .55 mm [.022 in] Height, Holsworthy RQ73

[View on TE.com >](#)



Passive Components > Resistors > Surface Mount Resistors



Resistor Type: **Precision Resistor**

Element Type: **Thin Film**

Package Size Code: **1206**

Power Rating: **.4 W**

Resistance Value: **464K Ω**

Features

Product Type Features

Shelf Life	2 Years
Resistor Type	Precision Resistor
Element Type	Thin Film
Package Size Code	1206

Configuration Features

Number of Resistors	1
---------------------	---

Electrical Characteristics

Operating Voltage	200 V
Power Rating	.4 W
Resistance Value	464K Ω
Resistance Class	1kΩ – 1MΩ
Passive Component Tolerance	.1 %

Termination Features

Surface Mount Resistor Termination Type	Solder
---	--------

Number of Terminations	2
------------------------	---

Dimensions

Product Height	.55 mm[.022 in]
Product Length	3.05 mm[.12 in]
Product Width	1.55 mm[.061 in]

Usage Conditions

Temperature Coefficient	±10 ppm/°C
-------------------------	------------

Industry Standards

Industry Standard	AEC-Q200 Compliant
ESD HBM Classification	1C
Moisture Sensitivity Level	1

Packaging Features

Packaging Method	Taped & Reeled
------------------	----------------

Other

Passive Component Comment	Shelf Life Based on Date of Manufacture
---------------------------	---

Product Compliance

[For compliance documentation, visit the product page on TE.com>](#)

EU RoHS Directive 2011/65/EU	Compliant
EU ELV Directive 2000/53/EC	Compliant
China RoHS 2 Directive MIIT Order No 32, 2016	有害物质含量符合标准要求 No Restricted Substance(s) Above Threshold
EU REACH Regulation (EC) No. 1907/2006	Current ECHA Candidate List: JUNE 2025 (250) Candidate List Declared Against: JUNE 2025 (250) Does not contain REACH SVHC
Halogen Content	Low Halogen - Br, Cl, F < 900 ppm per homogenous material. Also BFR/CFR/PVC Free
Solder Process Capability	Reflow solder capable to 260°C

Product Compliance Disclaimer

This information is provided based on reasonable inquiry of our suppliers and represents our current actual knowledge based on the information they provided. This information is subject to change. The part numbers that TE has identified as EU RoHS compliant have a maximum concentration of 0.1% by weight in homogenous materials for lead, hexavalent chromium, mercury, PBB, PBDE, DBP, BBP, DEHP, DIBP, and 0.01% for cadmium, or qualify for an exemption to these



limits as defined in the Annexes of Directive 2011/65/EU (RoHS2). Finished electrical and electronic equipment products will be CE marked as required by Directive 2011/65/EU. Components may not be CE marked. Additionally, the part numbers that TE has identified as EU ELV compliant have a maximum concentration of 0.1% by weight in homogenous materials for lead, hexavalent chromium, and mercury, and 0.01% for cadmium, or qualify for an exemption to these limits as defined in the Annexes of Directive 2000/53/EC (ELV). Regarding the REACH Regulation, the information TE provides on SVHC in articles for this part number is based on the latest European Chemicals Agency (ECHA) 'Guidance on requirements for substances in articles' posted at this URL: <https://echa.europa.eu/guidance-documents/guidance-on-reach>

Compatible Parts



TE Part # 3-2176389-4
RQ 1206 237R 0.1% 10PPM 5K RL



TE Part # 2176372-6
RQ 0603 56K2 0.1% 10PPM 5K RL



TE Part # 3-2176382-0
RQ 0805 267K 0.1% 10PPM 5K RL



TE Part # 4-2176391-2
RQ 1206 33K2 0.1% 10PPM 5K RL



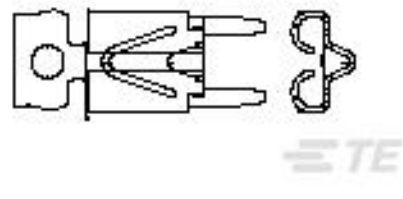
TE Part # 2176371-8
RQ 0603 5K49 0.1% 10PPM 5K RL

Also in the Series | [Holsworthy RQ73](#)



[Surface Mount Resistors\(1954\)](#)

Customers Also Bought

TE Part #63969-1
FASTON 205/250 PCB MOUNTED
TPBR



TE Part #1-84982-0
1MM FFC SMT V ASSY 10P EMBOSS



TE Part #1-640454-6
16P MTA100 HDR ASSY SQ STR POL



TE Part #3-640599-6
06P MTA156 CONN ASSY 18AWG
ORA



TE Part #3-1623750-4
ER58 6R8 5% AMMO



TE Part #2-2176058-6
RLP73K 3A R11 5% 2K RL



TE Part #4-2176339-3
CRGCQ 0603 33K 1%



TE Part #1-2176343-2
CRGCQ 1206 82R 1%



TE Part #6-2176391-9
RQ 1206 63K4 0.1% 10PPM 5K RL



TE Part #2176392-1
RQ 1206 133K 0.1% 10PPM 5K RL

Documents

Product Drawings

[RQ 1206 464K 0.1% 10PPM 5K RL](#)

English

CAD Files

[3D PDF](#)

3D

Customer View Model

[ENG_CVM_CVM_5-2176392-3_B.2d_dxf.zip](#)

English

Customer View Model

[ENG_CVM_CVM_5-2176392-3_B.3d_igs.zip](#)

English

Customer View Model

[ENG_CVM_CVM_5-2176392-3_B.3d_stp.zip](#)

English

By downloading the CAD file I accept and agree to the [Terms and Conditions](#) of use.

Datasheets & Catalog Pages

RQ73C2B464KBTD

464K ohm, Thin Film, Precision Resistor, .1 %, 1206, .4 W, ± 10 ppm/ $^{\circ}$ C, Solder, 2 Terminations, .55 mm [.022 in] Height, Holsworthy RQ73



SMD Thin Film Precision Resistors - AEC-Q200 Compliant - Type RQ73 Series

English