

5-1825059-4 ✓ ACTIVE

[Alcoswitch](#) | [Alcoswitch DIP ADF](#), [Alcoswitch DIP](#)

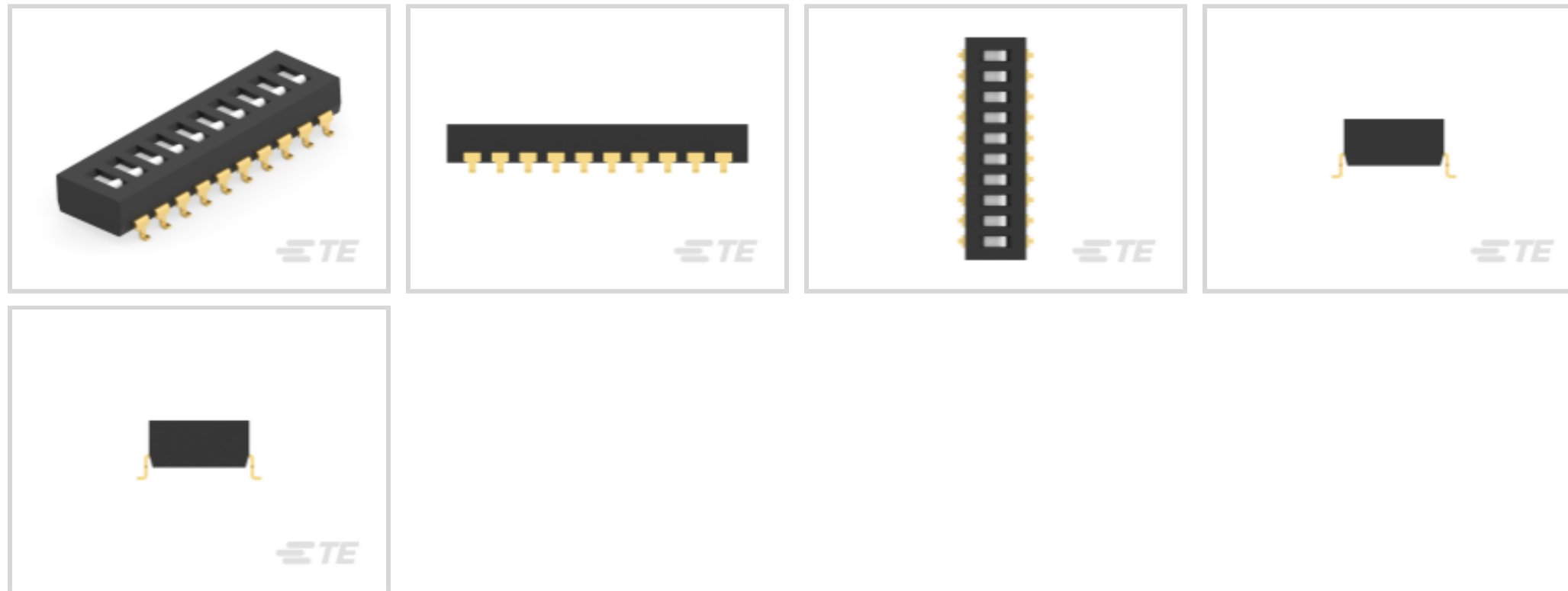
TE Internal #: 5-1825059-4

DIP Switch, Gold Flash Contact Plating, Black, Polyphenylene Sulfide (PPS), Sealed, 10 Switch, -30 – 85 °C, Alcoswitch DIP

[View on TE.com >](#)



Switches > DIP & SIP Switches



DIP & SIP Switch Type: **DIP**

Switch Contact Plating Material: **Gold Flash**

Case Color: **Black**

Case Material: **Polyphenylene Sulfide (PPS)**

Sealed Device: **Yes**

Features

Operation/Application

Assembly Process Feature	Auto-Insert Packaging
--------------------------	-----------------------

Industry Standards

UL Flammability Rating	UL 94V-0
------------------------	----------

Dimensions

Product Length	27.36 mm[1.078 in]
----------------	--------------------

Product Height	3.5 mm[.138 in]
----------------	-----------------

Packaging Features

Packaging Method	Tape & Reel
------------------	-------------

Packaging Quantity	14
--------------------	----

Configuration Features

Number of Positions	10
---------------------	----

Number of Switches	10
--------------------	----

Configuration (Pole-Throw)	Single Pole - Single Throw
----------------------------	----------------------------

Body Features



Sealing Method	Sealing Tape
Actuator Color	White
Case Color	Black
Case Material	Polyphenylene Sulfide (PPS)

Contact Features

	1.2 μin
PCB Contact Termination Area Plating Material	Nickel
Switch Contact Plating Material	Gold Flash
Contact Base Material	Copper Alloy

Product Type Features

Leg Style	Gull Wing
DIP & SIP Switch Type	DIP
Sealed Device	Yes
Actuator Style	Flush Actuator, Slide Actuator

Usage Conditions

Operating Temperature Range	-30 – 85 °C
-----------------------------	-------------

Electrical Characteristics

Contact Current Rating	1 A
Operating Voltage	5 VDC

Termination Features

Termination Method to PCB	Surface Mount
---------------------------	---------------

Housing Features

Centerline (Pitch)	2.54 mm[.1 in]
--------------------	----------------

Other

EU RoHS Compliance	Compliant
EU ELV Compliance	Compliant

Product Compliance

[For compliance documentation, visit the product page on TE.com>](#)

EU RoHS Directive 2011/65/EU	Compliant
EU ELV Directive 2000/53/EC	Compliant
China RoHS 2 Directive MIIT Order No 32, 2016	No Restricted Materials Above Threshold

EU REACH Regulation (EC) No. 1907/2006

Current ECHA Candidate List: JUNE 2024 (241)

Candidate List Declared Against: JUNE 2022 (224)

Does not contain REACH SVHC

Halogen Content

Not Low Halogen - contains Br or Cl > 900 ppm.

Solder Process Capability

Reflow solder capable to 260°C

Product Compliance Disclaimer

This information is provided based on reasonable inquiry of our suppliers and represents our current actual knowledge based on the information they provided. This information is subject to change. The part numbers that TE has identified as EU RoHS compliant have a maximum concentration of 0.1% by weight in homogenous materials for lead, hexavalent chromium, mercury, PBB, PBDE, DBP, BBP, DEHP, DIBP, and 0.01% for cadmium, or qualify for an exemption to these limits as defined in the Annexes of Directive 2011/65/EU (RoHS2). Finished electrical and electronic equipment products will be CE marked as required by Directive 2011/65/EU. Components may not be CE marked. Additionally, the part numbers that TE has identified as EU ELV compliant have a maximum concentration of 0.1% by weight in homogenous materials for lead, hexavalent chromium, and mercury, and 0.01% for cadmium, or qualify for an exemption to these limits as defined in the Annexes of Directive 2000/53/EC (ELV). Regarding the REACH Regulation, the information TE provides on SVHC in articles for this part number is based on the latest European Chemicals Agency (ECHA) 'Guidance on requirements for substances in articles' posted at this URL: <https://echa.europa.eu/guidance-documents/guidance-on-reach>

Compatible Parts



TE Part # 3-1825059-7
ADF08S04=DIP SWT,FLUSH,SMT-GW



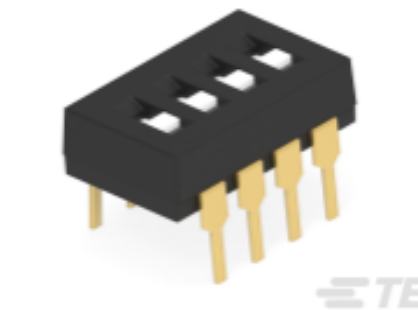
TE Part # 1-1825059-5
ADF04SAT04=DIP SW,FLUSH,SMT-JL



TE Part # 1-1825059-4
ADF04SA04=DIP SWT,FLUSH,SMT-JL



TE Part # 1825002-1
ADF0204=DIP SWT,FLUSH,THRU/HL



TE Part # 1825002-5
ADF0404=DIP SWT,FLUSH,THRU/HL



TE Part # 1825059-6
ADF02STTR04=DIP S,FLUSH,SMT-GW



TE Part # 3-1825059-8
ADF08SA04=DIP SWT,FLUSH,SMT-JL



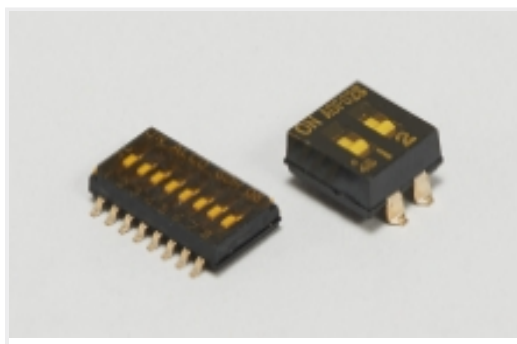
TE Part # 3-1825059-0
ADF06STTR04=DIP S,FLUSH,SMT-GW



Also in the Series | [Alcoswitch DIP ADF](#)



Also in the Series | [Alcoswitch DIP](#)

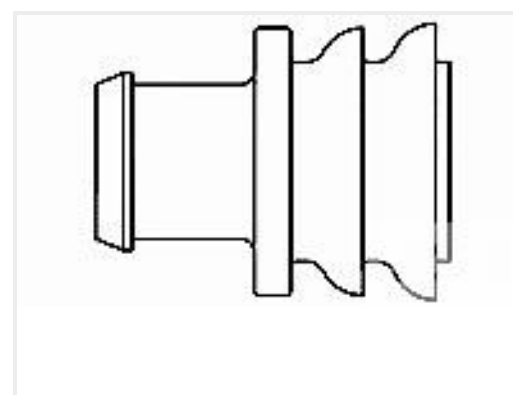


DIP & SIP Switches(160)



Rotary Switches(16)

Customers Also Bought

TE Part #CAT-AM71-CH8172
AMP SUPERSEAL 1.5MM,
CONNECTOR HOUSINGTE Part #114017-ZZ
SEALING PLUG, SIZE 12/16, WHTTE Part #DT04-2P
REC, 2P, GRY, NTE Part #DT06-2S
PLG, 2P, GRY, NTE Part #CAT-D487-W416
Wedgelocks: DEUTSCH DTTE Part #CAT-D48-ST273
DEUTSCH Solid ContactsTE Part #281934-2
SINGLE WIRE SEAL

Documents

CAD Files

3D PDF

3D

Customer View Model

[ENG_CVM_CVM_5-1825059-4_B.2d_dxf.zip](#)

English

Customer View Model

[ENG_CVM_CVM_5-1825059-4_B.3d_igs.zip](#)

English

Customer View Model

[ENG_CVM_CVM_5-1825059-4_B.3d_stp.zip](#)

English

By downloading the CAD file I accept and agree to the [Terms and Conditions](#) of use.

Datasheets & Catalog Pages

[SWITCHES_CORE_PROGRAM_CATALOG](#)

English



[ADE_ADP_ADF_Datasheet](#)

English