



## Agastat 7000

TE Internal #: 5-1768043-0

Snap-On Pre-Printed Marker, STD 05 Size, Yellow, Straight Cut, .  
Marking, Black Print, Polyoxymethylene, Agastat 7000

[View on TE.com >](#)

Identification & Labeling > Pre-Printed Markers > STD Snap-On Markers

Marker Style: **Snap-On**Marker Size: **STD 05**Compatible Cable Diameter Range: **2.3 – 3 mm [ .091 – .118 in ]**Primary Product Color: **Yellow**Marker Cut: **Straight**
[All STD Snap-On Markers \(958\)](#)

## Features

### Packaging Features

Packaging Method	Strip
Packaging Quantity	300

### Body Features

Marker Style	Snap-On
Marker Size	STD 05
Primary Product Color	Yellow
Primary Product Material	Polyoxymethylene

### Dimensions

Compatible Cable Diameter Range	2.3 – 3 mm [.091 – .118 in]
---------------------------------	-----------------------------

### Printer/Label Features

Marker Cut	Straight
Marking Details	.

### Other

Printed Marking Color	Black
EU RoHS Compliance	Compliant
EU ELV Compliance	Compliant

## Product Compliance

[For compliance documentation, visit the product page on TE.com>](#)

EU RoHS Directive 2011/65/EU	Compliant
EU ELV Directive 2000/53/EC	Compliant
China RoHS 2 Directive MIIT Order No 32, 2016	No Restricted Materials Above Threshold
EU REACH Regulation (EC) No. 1907/2006	Current ECHA Candidate List: JUNE 2024 (241) Candidate List Declared Against: JUNE 2024 (241) Does not contain REACH SVHC
Halogen Content	Low Halogen - Br, Cl, F, I < 900 ppm per homogenous material. Also BFR/CFR/PVC Free
Solder Process Capability	Not applicable for solder process capability

### Product Compliance Disclaimer

This information is provided based on reasonable inquiry of our suppliers and represents our current actual knowledge based on the information they provided. This information is subject to change. The part numbers that TE has identified as EU RoHS compliant have a maximum concentration of 0.1% by weight in homogenous materials for lead, hexavalent chromium, mercury, PBB, PBDE, DBP, BBP, DEHP, DIBP, and 0.01% for cadmium, or qualify for an exemption to these limits as defined in the Annexes of Directive 2011/65/EU (RoHS2). Finished electrical and electronic equipment products will be CE marked as required by Directive 2011/65/EU. Components may not be CE marked. Additionally, the part numbers that TE has identified as EU ELV compliant have a maximum concentration of 0.1% by weight in homogenous materials for lead, hexavalent chromium, and mercury, and 0.01% for cadmium, or qualify for an exemption to these limits as defined in the Annexes of Directive 2000/53/EC (ELV). Regarding the REACH Regulation, the information TE provides on SVHC in articles for this part number is based on the latest European Chemicals Agency (ECHA) 'Guidance on requirements for substances in articles' posted at this URL: <https://echa.europa.eu/guidance-documents/guidance-on-reach>

## Compatible Parts



TE Part # 1-1768043-0  
STD05W-M

Also in the Series | [Agastat 7000](#)



Pre-Printed Markers(957)



Time Delay Relays(73)

## Customers Also Bought



TE Part #CAT-AM71-CH8172  
AMP SUPERSEAL 1.5MM,  
CONNECTOR HOUSING



TE Part #206070-8  
CABLE CLAMP KIT #17



TE Part #DT04-2P  
REC, 2P, GRY, N



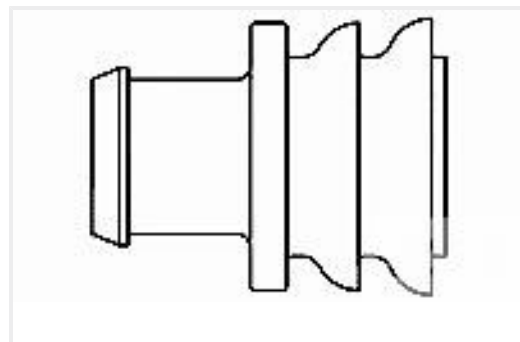
TE Part #DT06-2S  
PLG, 2P, GRY, N



TE Part #CAT-D487-W416  
Wedgelocks: DEUTSCH DT



TE Part #CAT-D48-ST273  
DEUTSCH Solid Contacts



TE Part #281934-2  
SINGLE WIRE SEAL

## Documents

### Product Drawings

[STD05Y-DOT](#)

English

### Datasheets & Catalog Pages

[STD/STB-type Snap-on Pre-printed Wire & Cable Markers](#)

English

[IDENTIFICATION SELECTION GUIDE](#)

English

[STD and STB Technical Datasheet](#)

English

### Product Specifications

[RW-2538 STD and STB work instruction](#)

English