

5-1761185-1 ✓ ACTIVE

AMPLIMITE

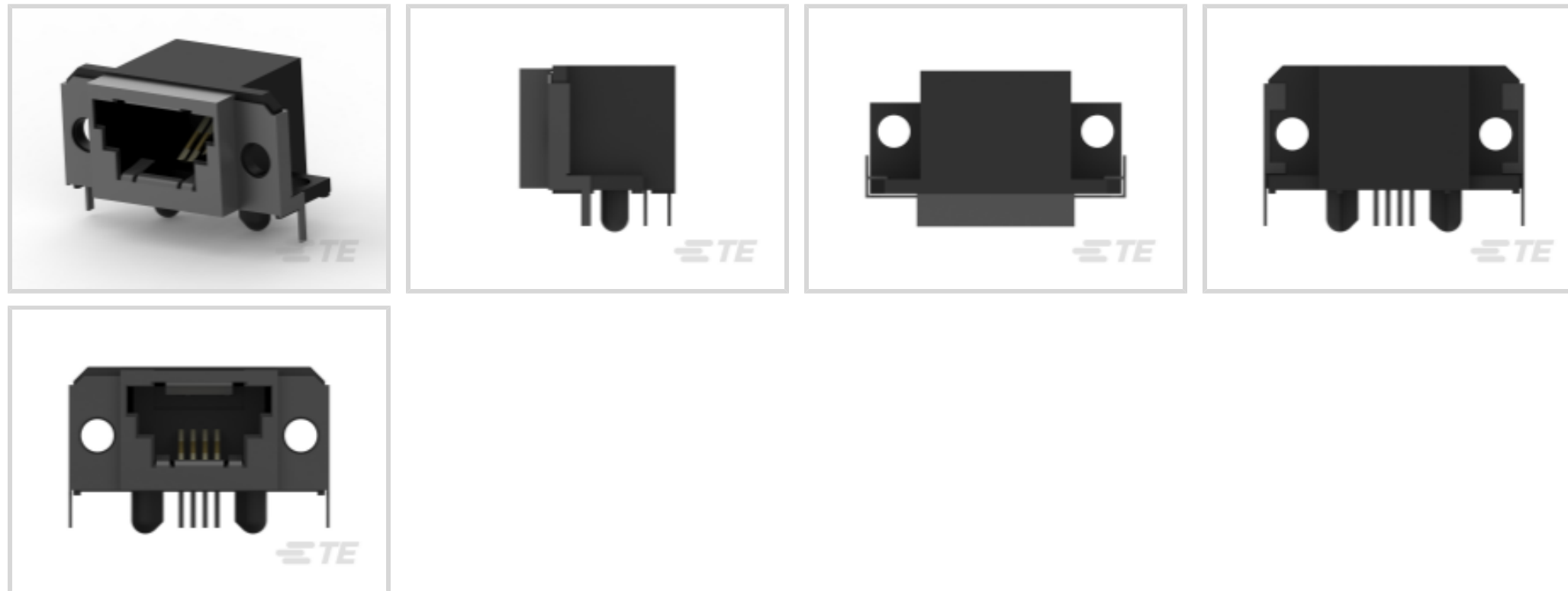
TE Internal #: 5-1761185-1

Receptacle, Cable-to-Board, 4 Position, 1.27 mm [.05 in] Centerline,
Printed Circuit Board, Signal, Board Mount, SDL Connectors

[View on TE.com >](#)



Connectors > Audio & Video Connectors > SDL Connectors



Connector & Housing Type: **Receptacle**

Connector System: **Cable-to-Board**

Number of Positions: **4**

Centerline (Pitch): **1.27 mm [.05 in]**

Connector & Contact Terminates To: **Printed Circuit Board**

Features

Industry Standards

UL Flammability Rating	UL 94V-0
------------------------	----------

Body Features

Shield Plating Material	Tin over Copper
Shield Material	Brass

Mechanical Attachment

PCB Mount Retention Type	Mounting Hole
Polarization Code	E
PCB Mount Retention	With
Connector Mounting Type	Board Mount

Contact Features

Contact Mating Area Plating Material	Gold
Contact Base Material	Phosphor Bronze
	50 μ m
Contact Current Rating (Max)	1.5 A



Housing Features

Housing Color	Black
Housing Material	Polyester GF
Mating Entry Location	Side
Centerline (Pitch)	1.27 mm [.05 in]

Product Type Features

Grounding Options	PCB and Panel Ground
Receptacle Configuration	Standard
Connector & Housing Type	Receptacle
Connector System	Cable-to-Board
Connector & Contact Terminates To	Printed Circuit Board

Configuration Features

Number of Positions	4
---------------------	---

Usage Conditions

Operating Temperature Range	-20 – 80 °C [-4 – 176 °F]
-----------------------------	---------------------------

Operation/Application

Circuit Application	Signal
---------------------	--------

Other

EU RoHS Compliance	Compliant
EU ELV Compliance	Compliant

Product Compliance

[For compliance documentation, visit the product page on TE.com>](#)

EU RoHS Directive 2011/65/EU	Compliant
EU ELV Directive 2000/53/EC	Compliant
China RoHS 2 Directive MIIT Order No 32, 2016	No Restricted Materials Above Threshold
EU REACH Regulation (EC) No. 1907/2006	Current ECHA Candidate List: JUNE 2024 (241) Candidate List Declared Against: JUNE 2024 (241) Does not contain REACH SVHC
Halogen Content	Not Low Halogen - contains Br or Cl > 900 ppm.
Solder Process Capability	Wave solder capable to 265°C


Product Compliance Disclaimer

This information is provided based on reasonable inquiry of our suppliers and represents our current actual knowledge based on the information they provided. This information is subject to change. The part numbers that TE has identified as EU RoHS compliant have a maximum concentration of 0.1% by weight in homogenous materials for lead, hexavalent chromium, mercury, PBB, PBDE, DBP, BBP, DEHP, DIBP, and 0.01% for cadmium, or qualify for an exemption to these limits as defined in the Annexes of Directive 2011/65/EU (RoHS2). Finished electrical and electronic equipment products will be CE marked as required by Directive 2011/65/EU. Components may not be CE marked. Additionally, the part numbers that TE has identified as EU ELV compliant have a maximum concentration of 0.1% by weight in homogenous materials for lead, hexavalent chromium, and mercury, and 0.01% for cadmium, or qualify for an exemption to these limits as defined in the Annexes of Directive 2000/53/EC (ELV). Regarding the REACH Regulation, the information TE provides on SVHC in articles for this part number is based on the latest European Chemicals Agency (ECHA) 'Guidance on requirements for substances in articles' posted at this URL: <https://echa.europa.eu/guidance-documents/guidance-on-reach>

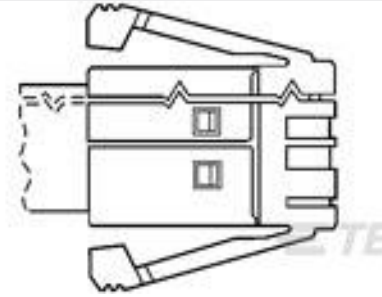
Compatible Parts



TE Part # 5-520532-1
4 SDL RND PLUG ASSY 36 SERIES



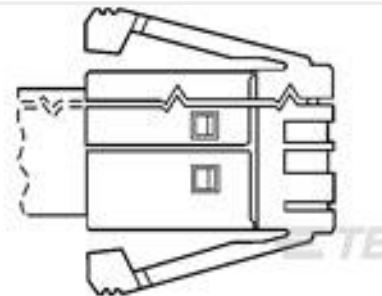
TE Part # 5-1761184-1
4 SDL FLAT PLUG ASSY



TE Part # 5-1761192-1
4 SDL FLAT PLUG ASSY



TE Part # 5-520424-1
4 SDL RND PLUG ASSY 50 SERIES



TE Part # 5-1761187-1
4 SDL FLAT PLUG ASSY

Customers Also Bought

TE Part #7-2362391-8
ELCON MICRO,HEADER,R/A DIP,16P

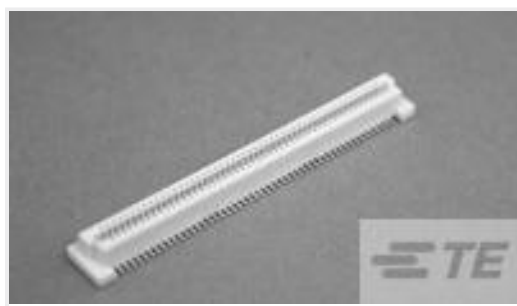
TE Part #2-2328461-1
280 POS., CONNECTOR ASSEMBLY, SLIVER 2.0



TE Part #1-2324271-3
RIGHT SEGMENT LGA4189-4 SOCKETP4 FOR ODM



TE Part #2149027-1
MiniSAS HD 1x1 Rec Assy



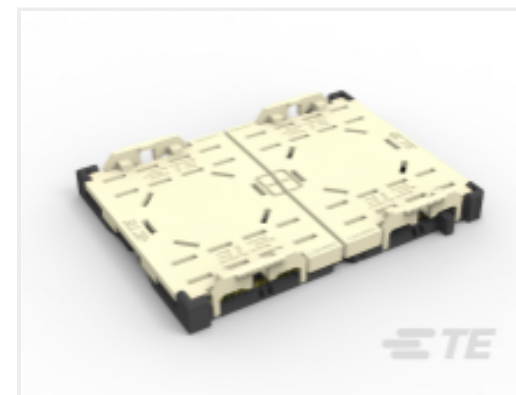
TE Part #5353999-2
0.8FH,R05H.5,060,30/Sn,TR,SC



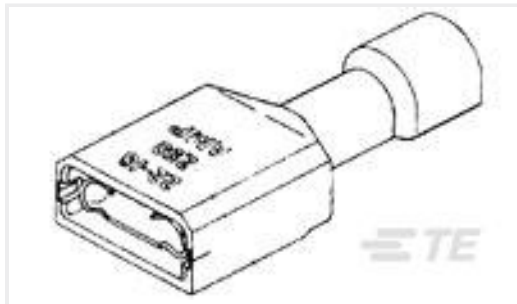
TE Part #81543-23
CONT SOC ASSY



TE Part #2-1445057-4
MICRO MNL HDR ASSY SINGLE ROW



TE Part #1-2324271-4
LEFT SEGMENT LGA4189-4 SOCKET-P4 FOR ODM



TE Part #7-520365-2
ULTRA-FAST .110/.125 ASY REC 26-22
TPBR



TE Part #8545196001
TMS-CCUV-SLEEVE-7-X-65MM

Documents

Product Drawings

4 SDL SE GRND RCPT ASSY

English

CAD Files

3D PDF

3D

Customer View Model

[ENG_CVM_CVM_5-1761185-1_A.2d_dxf.zip](#)

English

Customer View Model

[ENG_CVM_CVM_5-1761185-1_A.3d_igs.zip](#)

English

Customer View Model

[ENG_CVM_CVM_5-1761185-1_A.3d_stp.zip](#)

English

By downloading the CAD file I accept and agree to the [Terms and Conditions](#) of use.

Product Specifications

Application Specification

English

Instruction Sheets

Instruction Sheet (U.S.)

English