



Switches > Push Button Switches



Configuration (Pole-Throw): **Single Pole - Single Throw**

Number of Actuators: **Single**

Actuator Profile: **Extended**

Bushing Style: **Unthreaded**

Illuminated: **Without**

## Features

### Termination Features

Termination Method to PCB	Through Hole - Solder
---------------------------	-----------------------

### Packaging Features

Packaging Method	Bulk
------------------	------

### Dimensions

Button Width	2.54 mm[.1 in]
Bushing Length	5.6 mm[.22 in]
Bushing Diameter	4.78 mm[.188 in]
Actuator Length	3.48 mm[.137 in]

### Contact Features

Contact Base Material	Copper Alloy
Switch Contact Plating Material	Gold over Nickel

### Housing Features

Low Profile	No
Process Sealed	No

### Product Type Features

Switch Connection Type	Printed Circuit
Illuminated	Without
Actuator Style	Round Actuator

### Body Features

Case Material	Polyester
Actuator Material	Polyamide
Product Orientation	Vertical
Actuator Force	50 – 400 g[1.77 – 14.11 oz]
Actuator Profile	Extended
Bushing Style	Unthreaded
Actuator Color	Black

### Configuration Features

Configuration (Pole-Throw)	Single Pole - Single Throw
Number of Actuators	Single
Snap Action	Without
Support Bracket	Without
Switch Feedback Type	Non-Tactile
Operating Function	NO, Momentary

### Electrical Characteristics

Contact Current Rating	.4 A
Operating Voltage Range	20 VDC

### Other

EU ELV Compliance	Not Compliant
-------------------	---------------

### Product Compliance

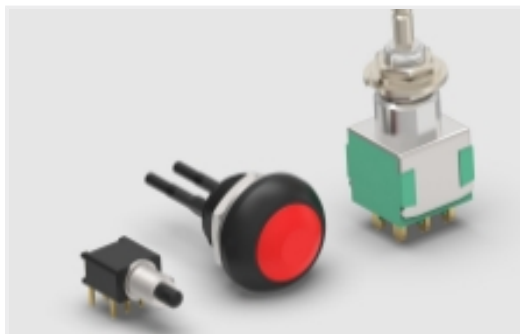
[For compliance documentation, visit the product page on TE.com>](#)

EU RoHS Directive 2011/65/EU	Not Yet Reviewed
EU ELV Directive 2000/53/EC	Not Compliant
China RoHS 2 Directive MIIT Order No 32, 2016	Restricted Materials Above Threshold
EU REACH Regulation (EC) No. 1907/2006	Current ECHA Candidate List: JUNE 2024 (241) Candidate List Declared Against: JUN 2016 (169) SVHC > Threshold: Not Yet Reviewed
Halogen Content	Not Yet Reviewed for halogen content
Solder Process Capability	Wave solder capable to 265°C

Product Compliance Disclaimer

This information is provided based on reasonable inquiry of our suppliers and represents our current actual knowledge based on the information they provided. This information is subject to change. The part numbers that TE has identified as EU RoHS compliant have a maximum concentration of 0.1% by weight in homogenous materials for lead, hexavalent chromium, mercury, PBB, PBDE, DBP, BBP, DEHP, DIBP, and 0.01% for cadmium, or qualify for an exemption to these limits as defined in the Annexes of Directive 2011/65/EU (RoHS2). Finished electrical and electronic equipment products will be CE marked as required by Directive 2011/65/EU. Components may not be CE marked. Additionally, the part numbers that TE has identified as EU ELV compliant have a maximum concentration of 0.1% by weight in homogenous materials for lead, hexavalent chromium, and mercury, and 0.01% for cadmium, or qualify for an exemption to these limits as defined in the Annexes of Directive 2000/53/EC (ELV). Regarding the REACH Regulations, TE's information on SVHC in articles for this part number is still based on the European Chemical Agency (ECHA) 'Guidance on requirements for substances in articles' (Version: 2, April 2011), applying the 0.1% weight on weight concentration threshold at the finished product level. TE is aware of the European Court of Justice ruling of September 10th, 2015 also known as O5A (Once An Article Always An Article) stating that, in case of 'complex object', the threshold for a SVHC must be applied to both the product as a whole and simultaneously to each of the articles forming part of its composition. TE has evaluated this ruling based on the new ECHA "Guidance on requirements for substances in articles" (June 2017, version 4.0) and will be updating its statements accordingly.

### Also in the Series | Alcoswitch TPB



General Purpose Push Button Switches (15)



Push Button Switches(15)

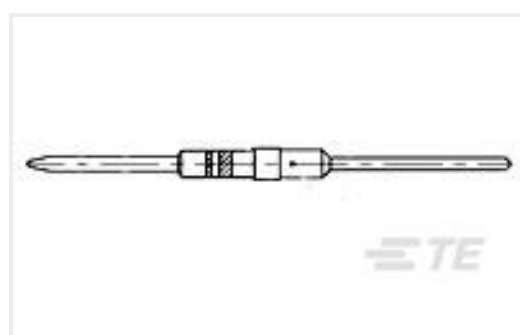
### Customers Also Bought



TE Part #3-1614973-5  
CPF 1206 1K87 0.1% 25PPM 1K RL



TE Part #2336494-4  
D2970 HDR 180 DEGREE 4POSN 1ROW Sn



TE Part #1-448138-2  
CNCT, SZ 20 PSTD PIN



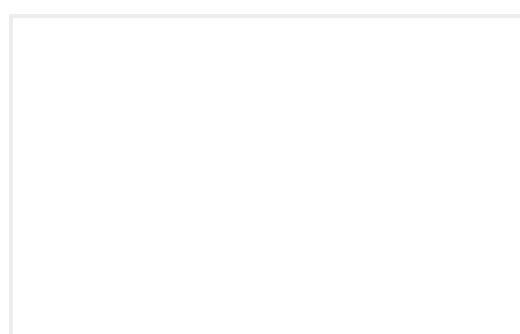
TE Part #7-1879226-2  
CPF 1206 69K8 0.1% 25PPM 1K RL



TE Part #3-1879227-0  
CPF 1206 340K 0.1% 25PPM 1K RL



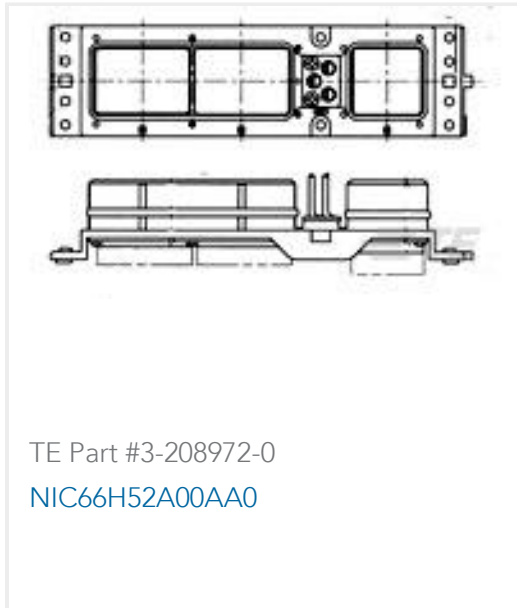
TE Part #1-88179-0  
018 HOUSING FFC RCPT DR 100CL



TE Part #1883910-1  
A600, SZ 3 RCPT 150/150/13C2/



TE Part #6-1542003-8  
HTS630-P=HS ASSY CLIP



## Documents

### Product Drawings

[TPB11CGPC0=SW P/B NO-OPEN](#)

English

### CAD Files

Customer View Model

[ENG\\_CVM\\_CVM\\_5-1437571-1\\_A.3d\\_igs.zip](#)

English

Customer View Model

[ENG\\_CVM\\_CVM\\_5-1437571-1\\_A.3d\\_stp.zip](#)

English

Customer View Model

[ENG\\_CVM\\_CVM\\_5-1437571-1\\_A.2d\\_dxf.zip](#)

English

### 3D PDF

3D

By downloading the CAD file I accept and agree to the [Terms and Conditions](#) of use.

### Datasheets & Catalog Pages

[TP Series Data Sheet](#)

English