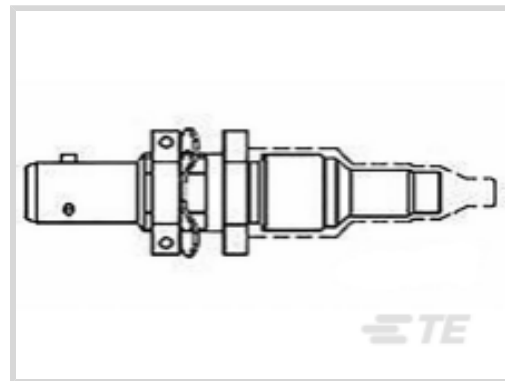




Cable Assemblies > Data Bus Components > Data Bus Connectors



Data Bus Connector Type: **Plug**

Data Bus Connector Style: **Bayonet**

Polarization Code: **A**

Contact Type: **Pin**

EU RoHS Compliance: **Not Compliant**

Features

Usage Conditions

Operating Temperature (Max)	125 °C
-----------------------------	--------

Termination Features

Termination Method to Wire & Cable	Solder
------------------------------------	--------

Product Type Features

Data Bus Connector Type	Plug
Data Bus Connector Style	Bayonet

Mechanical Attachment

Polarization Code	A
-------------------	---

Contact Features

Contact Type	Pin
--------------	-----

Other

EU RoHS Compliance	Not Compliant
EU ELV Compliance	Not Compliant

Product Compliance

[For compliance documentation, visit the product page on TE.com>](#)

EU RoHS Directive 2011/65/EU	Not Compliant
EU ELV Directive 2000/53/EC	Not Compliant



China RoHS 2 Directive MIIT Order No 32, 2016	Restricted Materials Above Threshold
EU REACH Regulation (EC) No. 1907/2006	Current ECHA Candidate List: JUNE 2024 (241) Candidate List Declared Against: JUNE 2024 (241) SVHC > Threshold: Pb (37% in Solder) Article Safe Usage Statements: Do not eat, drink or smoke when using this product. Wash thoroughly after handling. Recycle if possible and dispose of the article by following all applicable governmental regulations relevant to your geographic location.
Halogen Content	Low Halogen - Br, Cl, F, I < 900 ppm per homogenous material. Also BFR/CFR/PVC Free
Solder Process Capability	Not applicable for solder process capability

Product Compliance Disclaimer

This information is provided based on reasonable inquiry of our suppliers and represents our current actual knowledge based on the information they provided. This information is subject to change. The part numbers that TE has identified as EU RoHS compliant have a maximum concentration of 0.1% by weight in homogenous materials for lead, hexavalent chromium, mercury, PBB, PBDE, DBP, BBP, DEHP, DIBP, and 0.01% for cadmium, or qualify for an exemption to these limits as defined in the Annexes of Directive 2011/65/EU (RoHS2). Finished electrical and electronic equipment products will be CE marked as required by Directive 2011/65/EU. Components may not be CE marked. Additionally, the part numbers that TE has identified as EU ELV compliant have a maximum concentration of 0.1% by weight in homogenous materials for lead, hexavalent chromium, and mercury, and 0.01% for cadmium, or qualify for an exemption to these limits as defined in the Annexes of Directive 2000/53/EC (ELV). Regarding the REACH Regulation, the information TE provides on SVHC in articles for this part number is based on the latest European Chemicals Agency (ECHA) 'Guidance on requirements for substances in articles' posted at this URL: <https://echa.europa.eu/guidance-documents/guidance-on-reach>

Compatible Parts



Customers Also Bought





TE Part #38941-16L
CONT PIN



TE Part #0660-206-1631L
CONT PIN



TE Part #38941-20L
CONT PIN



TE Part #38943-22L
CONT SOC ASSY



TE Part #YDTS26W21-35PNV001
PLUG ASSY



TE Part #YDTS20T25-29SCV001
RECP ASSY

Documents

Product Drawings

[DK-621-0049-1P](#)

English

CAD Files

[3D PDF](#)

3D

Customer View Model

[ENG_CVM_CVM_477472-000_O.2d_dxf.zip](#)

English

Customer View Model

[ENG_CVM_CVM_477472-000_O.3d_igs.zip](#)

English

Customer View Model

[ENG_CVM_CVM_477472-000_O.3d_stp.zip](#)

English

By downloading the CAD file I accept and agree to the [Terms and Conditions](#) of use.

Datasheets & Catalog Pages

[Data Bus Components Brochure](#)

English

Product Specifications

[Product Specification](#)

English

[Termination Procedure for Triaxial Bayonet Connectors D-621-0045 through D-621-0052 and Triaxial Bayonet Connector Kits DK-621-0045-Number P/-Number S through DK-621-0052-Number P/-Number S D-621-0546, D-621-0548, D-621-0550, D-621-0551 and Triaxial Bayo](#)



English