



RAYCHEM

TE Internal #: 461081-000

600 VAC, Nickel-Coated High Strength Copper Alloy, 18 AWG, -65

- 150 °C, Twisted Pair Cable

[View on TE.com >](#)

Wire & Cable > Twisted Pair Cable > 2 Core Cable: Nickel Coated Copper Cable, 18 AWG



Operating Temperature Range: -65 – 150 °C [-85 – 302 °F]

Cable Type: **Spec 55PC**

Operating Voltage: **600 VAC**

Wire & Cable Insulation Material: **Radiation Crosslinked Modified ETFE**

Conductor Material: **Nickel-Coated High Strength Copper Alloy**

[All 2 Core Cable: Nickel Coated Copper Cable, 18 AWG \(3\)](#)

Features

Electrical Characteristics

Operating Voltage	600 VAC
-------------------	---------

Body Features

Cable Color	White
Wire Color (Base)	Red, White
Wire & Cable Insulation Material	Radiation Crosslinked Modified ETFE
Conductor Material	Nickel-Coated High Strength Copper Alloy

Dimensions

Wire Size	18 AWG
-----------	--------

Usage Conditions

Operating Temperature Range	-65 – 150 °C [-85 – 302 °F]
Cable Type	Spec 55PC

Product Compliance

[For compliance documentation, visit the product page on TE.com>](#)

EU RoHS Directive 2011/65/EU	Not Compliant
EU ELV Directive 2000/53/EC	Not Compliant



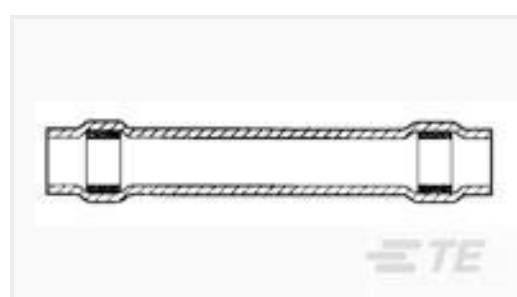
China RoHS 2 Directive MIIT Order No 32, 2016	Restricted Materials Above Threshold
EU REACH Regulation (EC) No. 1907/2006	Current ECHA Candidate List: JUNE 2025 (250) Candidate List Declared Against: JAN 2025 (247) SVHC > Threshold: Cd (.6% in Conductor)
Halogen Content	Low Bromine/Chlorine - Br and Cl < 900 ppm per homogenous material. Also BFR /CFR/PVC Free
Solder Process Capability	Not applicable for solder process capability

Article Safe Usage Statements:
Use personal protective equipment as required. Do not eat, drink or smoke when using this product. Recycle if possible and dispose of the article by following all applicable governmental regulations relevant to your geographic location.

Product Compliance Disclaimer

This information is provided based on reasonable inquiry of our suppliers and represents our current actual knowledge based on the information they provided. This information is subject to change. The part numbers that TE has identified as EU RoHS compliant have a maximum concentration of 0.1% by weight in homogenous materials for lead, hexavalent chromium, mercury, PBB, PBDE, DBP, BBP, DEHP, DIBP, and 0.01% for cadmium, or qualify for an exemption to these limits as defined in the Annexes of Directive 2011/65/EU (RoHS2). Finished electrical and electronic equipment products will be CE marked as required by Directive 2011/65/EU. Components may not be CE marked. Additionally, the part numbers that TE has identified as EU ELV compliant have a maximum concentration of 0.1% by weight in homogenous materials for lead, hexavalent chromium, and mercury, and 0.01% for cadmium, or qualify for an exemption to these limits as defined in the Annexes of Directive 2000/53/EC (ELV). Regarding the REACH Regulation, the information TE provides on SVHC in articles for this part number is based on the latest European Chemicals Agency (ECHA) 'Guidance on requirements for substances in articles' posted at this URL: <https://echa.europa.eu/guidance-documents/guidance-on-reach>

Compatible Parts



TE Part # A36675-000
D-200-83

Customers Also Bought



TE Part #080401-000
55PC6002-18-9-9CS2502



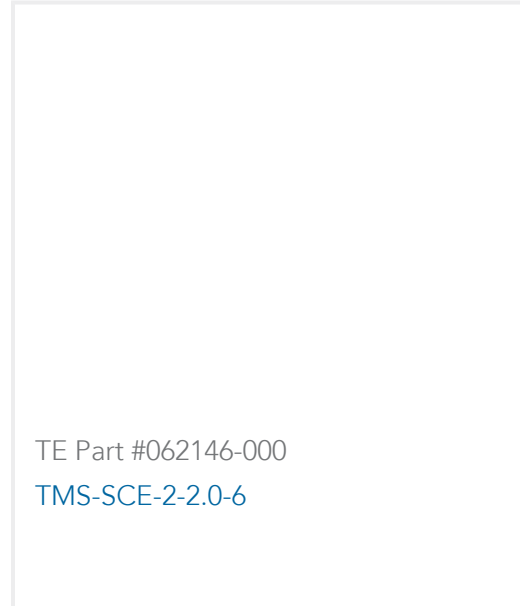
TE Part #318107-006
55A8081-18-9



TE Part #5711630001
HT-SCE-1K-1/4-2.0-9



TE Part #278695-000
CTC-0062-20-9/5-9



Documents

Product Drawings

[55PC6003-18-2/6-9CS2502](#)

English

Datasheets & Catalog Pages

[Raychem Wire and Cable Quick Reference Guide](#)

English

Product Specifications

[Product Specification](#)

English