

207W623-25/86-0 ✓ ACTIVE

RAYCHEM

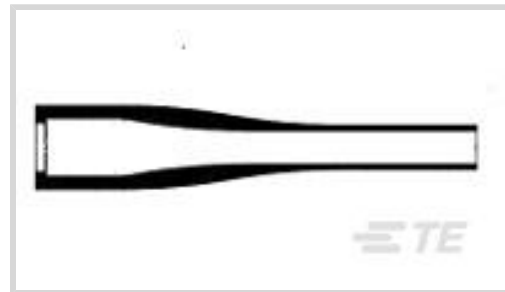
TE Internal #: 448883-000

Straight Heat Shrink Boot, 207 Shape Code, Lipped, 25 Material Code, 25 Material Systems Code, Adhesive Precoat, -75 – 150 °C [-103 – 302 °F]

[View on TE.com >](#)



Wire Protection & Management > Heat Shrink Shapes > Heat Shrink Boots



Body Orientation: **Straight**

Molded Part Shape Code: **207**

Lipped: **Yes**

Material Code: **25**

Material Systems Code: **25**

## Features

### Configuration Features

Lipped	Yes
Adhesive Requirement	Adhesive Precoat

### Body Features

Primary Product Material	Fluid Resistant Modified Elastomer
Material Code	25
Material Systems Code	25

### Housing Features

Body Orientation	Straight
------------------	----------

### Dimensions

Compatible Cable Diameter (Max)	10 mm, 11 mm, 12 mm, 14 mm [.39 in][.43 in][.47 in][.55 in]
Compatible Cable Diameter Range	8.4 – 25.4 mm [.331 – 1 in]

### Usage Conditions

Operating Temperature Range	-75 – 150 °C [-103 – 302 °F]
Resistance Protection	Long-Term Fluid Exposure at High Temperatures

### Industry Standards

Compatible With Approved Standards Products	BS-G-198-5-DE, DEF Std 59-97 Issue 3 Type DE, IEC 62329-3-102, MIS-34867
---	--



Other

Molded Part Shape Code	207
Adhesive Code	86

Product Compliance


[For compliance documentation, visit the product page on TE.com>](#)

EU RoHS Directive 2011/65/EU	Compliant
EU ELV Directive 2000/53/EC	Compliant
China RoHS 2 Directive MIIT Order No 32, 2016	有害物质含量符合标准要求 No Restricted Substance(s) Above Threshold
EU REACH Regulation (EC) No. 1907/2006	Current ECHA Candidate List: JUNE 2025 (250) Candidate List Declared Against: JUNE 2024 (241) Does not contain REACH SVHC
Halogen Content	Not Low Halogen - contains Br or Cl > 900 ppm.
Solder Process Capability	Not applicable for solder process capability


Product Compliance Disclaimer

This information is provided based on reasonable inquiry of our suppliers and represents our current actual knowledge based on the information they provided. This information is subject to change. The part numbers that TE has identified as EU RoHS compliant have a maximum concentration of 0.1% by weight in homogenous materials for lead, hexavalent chromium, mercury, PBB, PBDE, DBP, BBP, DEHP, DIBP, and 0.01% for cadmium, or qualify for an exemption to these limits as defined in the Annexes of Directive 2011/65/EU (RoHS2). Finished electrical and electronic equipment products will be CE marked as required by Directive 2011/65/EU. Components may not be CE marked. Additionally, the part numbers that TE has identified as EU ELV compliant have a maximum concentration of 0.1% by weight in homogenous materials for lead, hexavalent chromium, and mercury, and 0.01% for cadmium, or qualify for an exemption to these limits as defined in the Annexes of Directive 2000/53/EC (ELV). Regarding the REACH Regulation, the information TE provides on SVHC in articles for this part number is based on the latest European Chemicals Agency (ECHA) 'Guidance on requirements for substances in articles' posted at this URL: <https://echa.europa.eu/guidance-documents/guidance-on-reach>

Compatible Parts

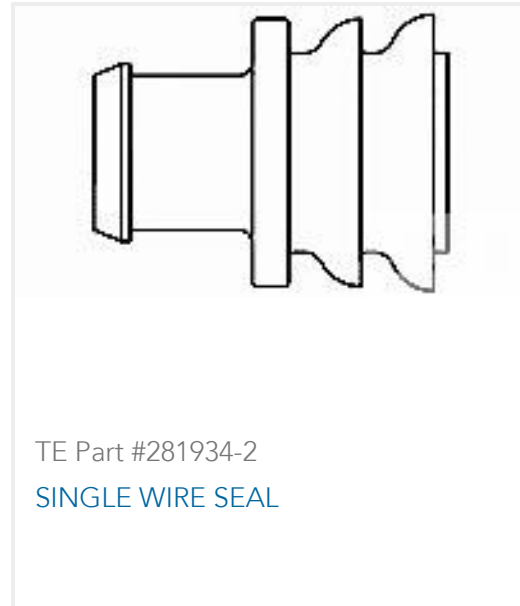
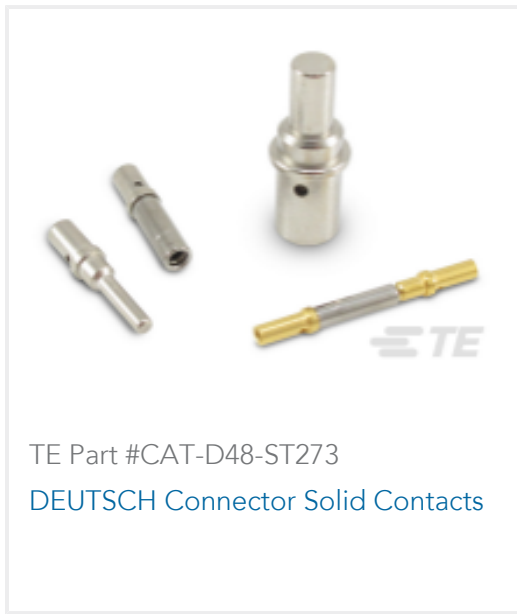


TE Part # 9-120035-5  
[HarnWare/HarnVis Purchase Charge](#)



TE Part # 9-120035-6  
[HarnWare/HarnVis Renewal Charge](#)

Customers Also Bought



## Documents

### Product Drawings

[207W623-25/86-0](#)

English

### Datasheets & Catalog Pages

[1654025\\_Sec4\\_-25](#)

English

### Raychem Molded Parts Visual Guide

English

### Product Specifications

[Product Specification](#)

English