

TXR54AC45-2012AI ✓ ACTIVE

RAYCHEM | RAYCHEM TXR

TE Internal #: 445423-000

Ruggedized, Backshell, .2 – 19.1 mm [.01 – .75 in] Cable Entry,
Aluminum, 45°, 20 / 37 Shell Size, 12 Entry Size, RAYCHEM TXR

[View on TE.com >](#)



Connectors > Connector Accessories > Connector Backshells



Connector Backshell Product Style: **Ruggedized**

Connector Backshell Product Type: **Backshell**

Cable Entry Diameter: **.2 – 19.1 mm [.01 – .75 in]**

Primary Product Material: **Aluminum**

Body Orientation: **45°**

Features

Industry Standards

Connector Detail Specification Number

NAS 1641, M83723/65, M83723/49, NAS 1599, MS3475, MS3476, MS3472, MS3474, MS3470, MS3471, MS3459, M83723/48, M83723/41, M83723/40, M83723/43, M83723/42, M83723/37, M83723/36, M83723/39, M83723/38, M83723/75, AS34241, AS34121, AS34461, NAS 1694, M83723/77, M83723/76, NAS 1699, NAS 1692, NAS 1693, AS34091, NAS 1652, AS34081, NAS 1653, NAS 1650, NAS 1651, NAS 1642, NAS 1643, M83723/72, AS34061, M83723/71, M83723/74, M83723/73, AS34001, M83723/67, M83723/66, AS34041, M83723/69, AS34011, M83723/68, M83723/92, M83723/91, M83723/96, M83723/95, AS34641, AS34681, AS34671, NAS 1701, NAS 1702, NAS 1700, M83723/86, M83723/85, M83723/87, AS34511, M83723/82, AS34501, M83723/78, AS34561, M83723/84, AS34541, M83723/83, M83723/14, M83723/13, M83723/08, M83723/05, M83723/04, M83723/07, M83723/06, M83723/01, M83723/98, M83723/97, M83723/03, M83723/02

Usage Conditions

Salt Spray Resistance

48 Hr

Operating Temperature Range

-65 – 200 °C[-85 – 392 °F]



Body Features

Primary Product Color	Bright
Primary Product Material	Aluminum
Primary Product Plating Material	Electroless Nickel (AMS-C-26074)

Dimensions

Product Length	51 mm[2 in]
Compatible Cable Diameter Range	9.5 – 15.2 mm[.375 – .6 in]
Cable Entry Diameter	.2 – 19.1 mm[.01 – .75 in]

Product Type Features

Termination Device Included	TR12AI
Connector Backshell Product Style	Ruggedized
Connector Backshell Product Type	Backshell
Termination Device Type	Tinel-Lock Adapter, Tinel-Lock Ring, Side-Entry Tinel-Lock Ring

Housing Features

Body Orientation	45°
Compatible With Connector Shape	Circular

Operation/Application

Compatible With Connector Shell Size	37, 20
--------------------------------------	--------

Other

Connector Interface Specification	MIL-DTL-83723 Series IIIII/Class H, MIL-DTL-83723 Series III/Class S, MIL-DTL-83723 Series III/Class G,R,W, MIL-DTL-83723 Series III/Class G,R, AS50151 Crimp Contact, MIL-DTL-83723 Series III/Class A, G,R, AS50151 Class L,W Crimp Contact, MIL-DTL-83723 Series III/Class A,G,K,R,S, AS50151 Class D,L,U,W Crimp Contact Less ENDBELL, MIL-DTL-83723 Series III/Class A, G,K,R, AS50151 Class D,L,U,W Crimp Contact, MIL-DTL-83723 Series I/Class G,R, AS81703 Series 3, MIL-DTL-83723 Series I /Class A,G,R, AS81703 Series 3/Class E,L, MIL-DTL-26482 Series 2/Class A,L
TE Connector Interface Code	54
Entry Size Code	12
EU RoHS Compliance	Compliant



EU ELV Compliance	Compliant
-------------------	-----------

Product Compliance

[For compliance documentation, visit the product page on TE.com>](#)

EU RoHS Directive 2011/65/EU	Compliant
------------------------------	-----------

EU ELV Directive 2000/53/EC	Compliant
-----------------------------	-----------

China RoHS 2 Directive MIIT Order No 32, 2016	No Restricted Materials Above Threshold
---	---

EU REACH Regulation (EC) No. 1907/2006	<p>Current ECHA Candidate List: JUNE 2024 (241) Candidate List Declared Against: JAN 2024 (240) SVHC > Threshold: Pb (.3% in BODY & NUT)</p> <p>Article Safe Usage Statements: Do not eat, drink or smoke when using this product. Wash thoroughly after handling. Recycle if possible and dispose of the article by following all applicable governmental regulations relevant to your geographic location.</p>
--	--

Halogen Content	Low Halogen - Br, Cl, F, I < 900 ppm per homogenous material. Also BFR/CFR/PVC Free
-----------------	---

Solder Process Capability	Not applicable for solder process capability
---------------------------	--

Product Compliance Disclaimer

This information is provided based on reasonable inquiry of our suppliers and represents our current actual knowledge based on the information they provided. This information is subject to change. The part numbers that TE has identified as EU RoHS compliant have a maximum concentration of 0.1% by weight in homogenous materials for lead, hexavalent chromium, mercury, PBB, PBDE, DBP, BBP, DEHP, DIBP, and 0.01% for cadmium, or qualify for an exemption to these limits as defined in the Annexes of Directive 2011/65/EU (RoHS2). Finished electrical and electronic equipment products will be CE marked as required by Directive 2011/65/EU. Components may not be CE marked. Additionally, the part numbers that TE has identified as EU ELV compliant have a maximum concentration of 0.1% by weight in homogenous materials for lead, hexavalent chromium, and mercury, and 0.01% for cadmium, or qualify for an exemption to these limits as defined in the Annexes of Directive 2000/53/EC (ELV). Regarding the REACH Regulation, the information TE provides on SVHC in articles for this part number is based on the latest European Chemicals Agency (ECHA) 'Guidance on requirements for substances in articles' posted at this URL: <https://echa.europa.eu/guidance-documents/guidance-on-reach>

Compatible Parts



Also in the Series | **RAYCHEM TXR**



Circular Connector Backshells & Clamps(2044)



Connector Backshells(2044)



Ruggedized Backshells & Adapters (2044)

Customers Also Bought



TE Part #114017-ZZ
SEALING PLUG, SIZE 12/16, WHT



TE Part #DT04-2P
REC, 2P, GRY, N



TE Part #DT06-2S
PLG, 2P, GRY, N



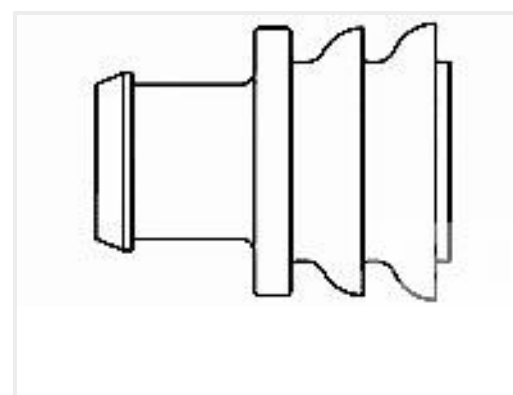
TE Part #CAT-D487-W416
Wedgelocks: DEUTSCH DT



TE Part #CAT-D48-ST273
DEUTSCH Solid Contacts



TE Part #CAT-AM71-CH8172
AMP SUPERSEAL 1.5MM,
CONNECTOR HOUSING



TE Part #281934-2
SINGLE WIRE SEAL

Documents

Product Drawings

[TXR54AC45-2012AI](#)

English

CAD Files

[3D PDF](#)

3D

Customer View Model

[ENG_CVM_CVM_445423-000_O.2d_dxf.zip](#)

English

Customer View Model

[ENG_CVM_CVM_445423-000_O.3d_igs.zip](#)

English

Customer View Model

[ENG_CVM_CVM_445423-000_O.3d_stp.zip](#)

English

By downloading the CAD file I accept and agree to the [Terms and Conditions](#) of use.



Datasheets & Catalog Pages

[5-1654025-5_sec6_Adapters](#)

English

Product Specifications

[General Information Package for Tinel-Lock Adapters](#)

English

[Braid termination using a Tinel Lock Ring installed using a resistance heater.](#)

French

[Braid termination using a Tinel Lock Ring installed using a resistance heater.](#)

English

[PERFORMANCE SPECIFICATION Tinel-Lock Rings, Heat Recoverable for Braid Termination](#)

English

[General Harness Repair Manual](#)

English

[ASSEMBLY GUIDE for Tinel -Lock Rings, Heat Recoverable for Braid Temination](#)

English

[Product Specification](#)

English