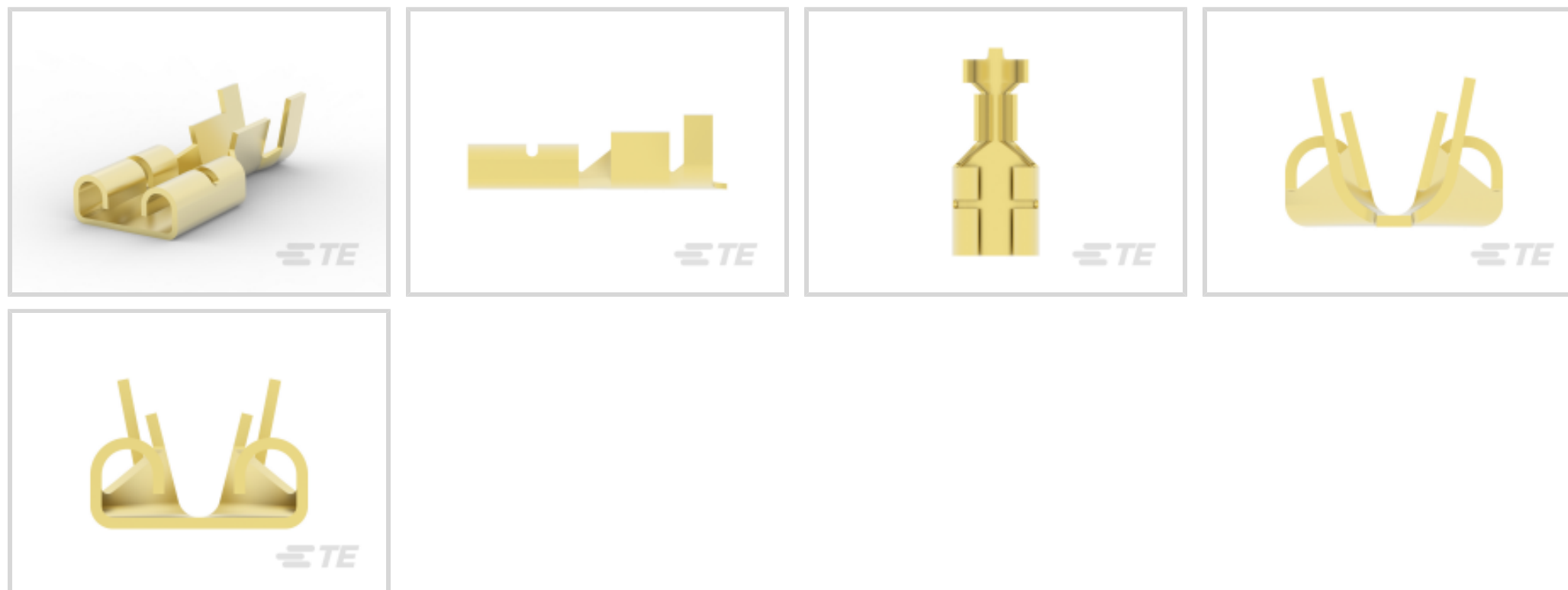




Terminals & Splices > Quick Disconnects



Quick Disconnect Terminal Type: **Receptacle**

Wire Size: 1 – 2.5 mm²

Mating Tab Width: 6.35 mm [.25 in]

Mating Tab Thickness: .81 mm [.025 in]

Features

Industry Standards

Compatible With Agency/Standards Products	UL
---	----

Configuration Features

Compatible With Wire & Cable Type	Discrete Wire
-----------------------------------	---------------

Termination Features

Product Terminates To	Wire & Cable
-----------------------	--------------

Electrical Characteristics

Voltage Rating	240 V
----------------	-------

Mechanical Attachment

Wire Insulation Support	With
Mating Retention Type	Dimple
Extraction Force	2 – 5.1 kgf

Packaging Features

Packaging Quantity	10000
Packaging Method	Strip/Reel



Dimensions

Product Length	17.2 mm[.677 in]
Compatible Insulation Diameter Range	3 – 4.3 mm[.118 – .169 in]
Terminal Material Thickness	.41 mm[.016 in]
Wire Size	1 – 2.5 mm ²

Product Type Features

Insertion Force	Low
-----------------	-----

Contact Features

Quick Disconnect Terminal Type	Receptacle
Mating Tab Width	6.35 mm[.25 in]
Mating Tab Thickness	.81 mm[.025 in]
Terminal Orientation	Straight
Contact Base Material	Brass
Terminal Plating Material	Unplated
Crimp Type	F-Crimp
Barrel Type	Open

Usage Conditions

Insulation Option	Uninsulated
Operating Temperature Range	-40 – 110 °C[-40 – 230 °F]

Other

EU RoHS Compliance	Compliant
EU ELV Compliance	Compliant

Product Compliance

[For compliance documentation, visit the product page on TE.com>](#)

EU RoHS Directive 2011/65/EU	Compliant
EU ELV Directive 2000/53/EC	Compliant
China RoHS 2 Directive MIIT Order No 32, 2016	No Restricted Materials Above Threshold
EU REACH Regulation (EC) No. 1907/2006	Current ECHA Candidate List: JUNE 2024 (241) Candidate List Declared Against: JUNE 2024 (241) Does not contain REACH SVHC
Halogen Content	Low Halogen - Br, Cl, F, I < 900 ppm per



homogenous material. Also BFR/CFR/PVC Free

Solder Process Capability

Not applicable for solder process capability

Product Compliance Disclaimer

This information is provided based on reasonable inquiry of our suppliers and represents our current actual knowledge based on the information they provided. This information is subject to change. The part numbers that TE has identified as EU RoHS compliant have a maximum concentration of 0.1% by weight in homogenous materials for lead, hexavalent chromium, mercury, PBB, PBDE, DBP, BBP, DEHP, DIBP, and 0.01% for cadmium, or qualify for an exemption to these limits as defined in the Annexes of Directive 2011/65/EU (RoHS2). Finished electrical and electronic equipment products will be CE marked as required by Directive 2011/65/EU. Components may not be CE marked. Additionally, the part numbers that TE has identified as EU ELV compliant have a maximum concentration of 0.1% by weight in homogenous materials for lead, hexavalent chromium, and mercury, and 0.01% for cadmium, or qualify for an exemption to these limits as defined in the Annexes of Directive 2000/53/EC (ELV). Regarding the REACH Regulation, the information TE provides on SVHC in articles for this part number is based on the latest European Chemicals Agency (ECHA) 'Guidance on requirements for substances in articles' posted at this URL: <https://echa.europa.eu/guidance-documents/guidance-on-reach>

Compatible Parts

TE Part # 1-735075-4
250 FASTON INS POST., REC., 1 POS, YELLOW

TE Part # 1-735075-0
250 FASTON INS POST., REC., 1 POS

TE Part # 8-735075-0
250 FASTON HSG. REC. 1P NATURAL

KIT
REPRESENTATION ONLY

TE Part # 7-1893897-1
KIT FOR APPLICATOR

TE Part # 735075
250 FASTON HSG. REC. 1P CLEAR

TE Part # 2150004-2
OCEAN_2.0_Applicator-E-110F180F-REA

TE Part # 2150004-1
OCEAN_2.0_Applicator-E-110F180F-REM

TE Part # 2-735075-6
250 FASTON INS POST., REC., 1 POS, NATURAL

TE Part # 1-735075-5
250 FASTON INS POST., REC., 1 POS, BLACK

TE Part # 881339-1
SLEEVE FOR .250 SRS FASTON TAB

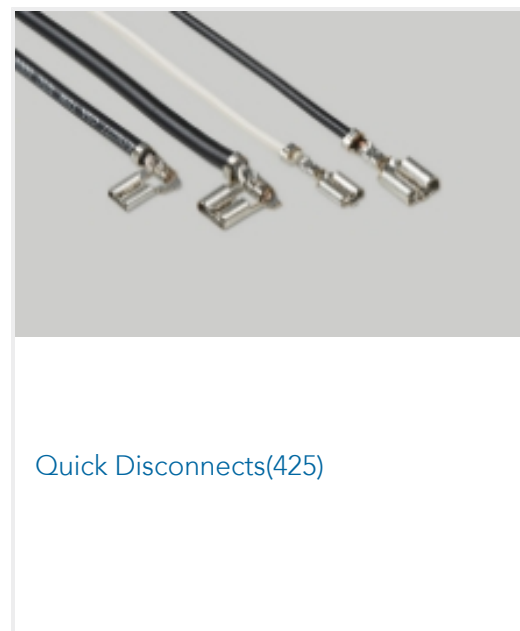
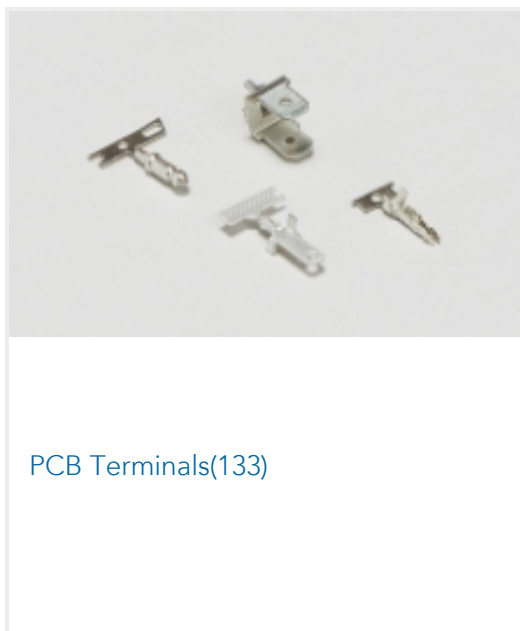
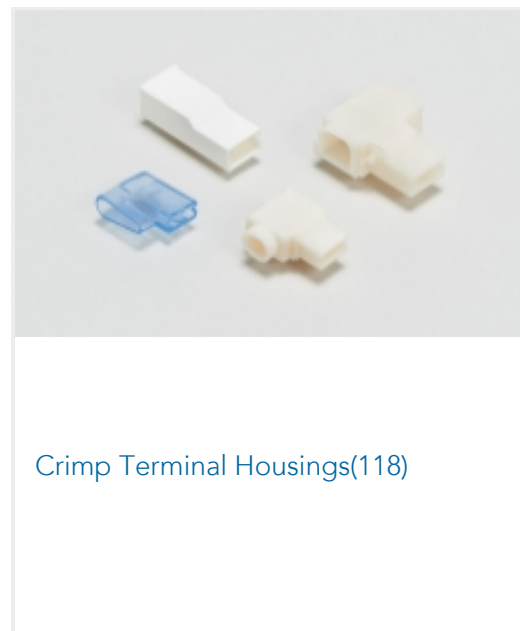
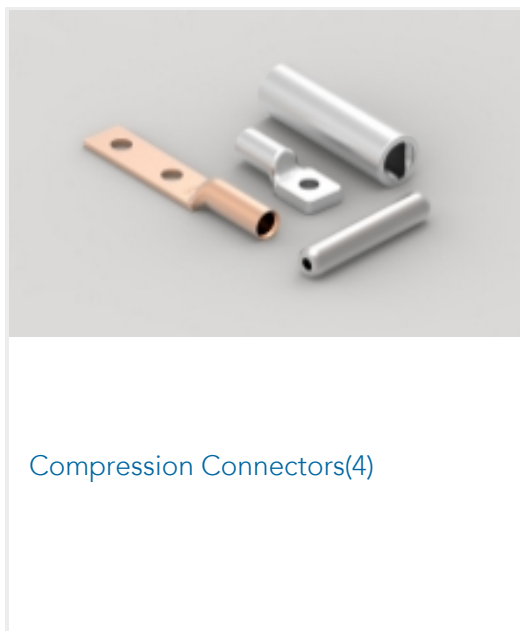
TE Part # 6-735075-0
250 FASTON HSG. REC. 1P NATURAL

KIT
REPRESENTATION ONLY

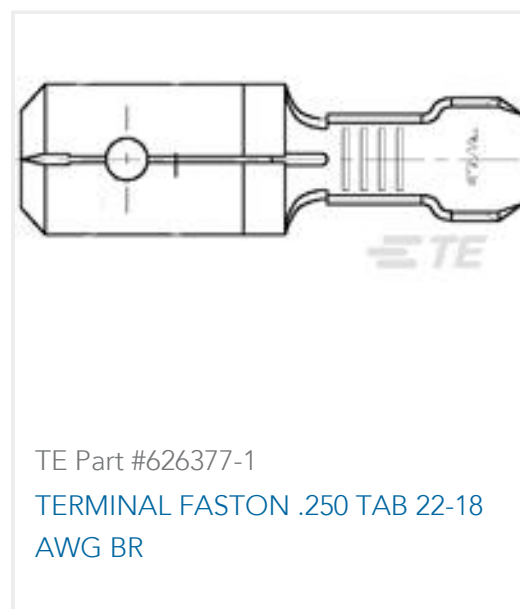
TE Part # 7-2150004-7
OCEAN_2.0_SPARE_PART_KIT-110F180F



Also in the Series | **FASTON 250**



Customers Also Bought





Documents

Product Drawings

250 FASTON REC 16-14 AWG BR

English

CAD Files

Customer View Model

[ENG_CVM_CVM_444335-1_J1.2d_dxf.zip](#)

English

Customer View Model

[ENG_CVM_CVM_444335-1_J1.3d_igs.zip](#)

English

Customer View Model

[ENG_CVM_CVM_444335-1_J1.3d_stp.zip](#)

English

3D PDF

3D

By downloading the CAD file I accept and agree to the [Terms and Conditions](#) of use.

Product Specifications

EB**General Application Specification for Open Barrel Terminals

English

Application Specification

English

Application Specification

English

Agency Approvals

Agency Approval Document

English