

443978-4 ✓ ACTIVE

AMPLIMITE

TE Internal #: 443978-4

Receptacle, Cable-to-Board, Board Mount, 37 Position, 4 Shell Size, Socket, Size 20 Contact Size, 2.77 mm [.109 in] Centerline, Printed Circuit Board

[View on TE.com >](#)



Connectors > D-Shaped Connectors > D-Sub Connectors > Panel Mount D-Sub Connectors



Connector & Housing Type: **Receptacle**

Termination Post & Tail Diameter: **1.02 mm [.04 in]**

Connector System: **Cable-to-Board**

Connector Mounting Type: **Board Mount**

Number of Positions: **37**

Features

Body Features

Front Shell Material	Steel
D-Sub Connector Insert Arrangement	MS18276-1
Rear Shell Plating Material	Cadmium
Rear Shell Material	Steel
Front Shell Plating Material	Cadmium

Packaging Features

Packaging Method	Package
------------------	---------

Contact Features

Contact Underplating Material	Nickel
Contact Mating Area Plating Material	Gold
Contact Base Material	Brass, Beryllium Copper
	50 µin
Contact Options	Installed
Contact Type	Socket
Contact Size	Size 20
Contact Current Rating (Max)	5 A

Configuration Features

PCB Mount Orientation	Vertical
-----------------------	----------



Number of Positions	37
---------------------	----

Power/Signal/Coax Combination	No
-------------------------------	----

Mechanical Attachment

Mounting Hole Diameter	3.05 mm [.12 in]
------------------------	------------------

Connector Mounting Type	Board Mount
-------------------------	-------------

Mating Alignment	Without
------------------	---------

Termination Features

Termination Method to PCB	Through Hole - Solder
---------------------------	-----------------------

Termination Post & Tail Length	4.78 mm [.188 in]
--------------------------------	-------------------

Termination Post & Tail Diameter	1.02 mm [.04 in]
----------------------------------	------------------

Product Type Features

Connector & Housing Type	Receptacle
--------------------------	------------

Connector System	Cable-to-Board
------------------	----------------

Connector Shell Size	4
----------------------	---

Sealable	No
----------	----

Connector & Contact Terminates To	Printed Circuit Board
-----------------------------------	-----------------------

Housing Features

Centerline (Pitch)	2.77 mm [.109 in]
--------------------	-------------------

Usage Conditions

Operating Temperature Range	-55 – 125 °C [-67 – 257 °F]
-----------------------------	-----------------------------

Operation/Application

Circuit Application	Signal
---------------------	--------

Other

EU RoHS Compliance	Not Compliant
--------------------	---------------

EU ELV Compliance	Not Compliant
-------------------	---------------

Product Compliance

[For compliance documentation, visit the product page on TE.com>](#)

EU RoHS Directive 2011/65/EU	Not Compliant
------------------------------	---------------

EU ELV Directive 2000/53/EC	Not Compliant
-----------------------------	---------------

China RoHS 2 Directive MIIT Order No 32, 2016	Restricted Materials Above Threshold
---	--------------------------------------

EU REACH Regulation (EC) No. 1907/2006	
--	--



Current ECHA Candidate List: JUNE 2024
 (241)

Candidate List Declared Against: JAN 2024
 (240)

SVHC > Threshold:

Cd (1.5% in Component Part)

Article Safe Usage Statements:

Use personal protective equipment as required. Do not eat, drink or smoke when using this product. Recycle if possible and dispose of the article by following all applicable governmental regulations relevant to your geographic location.

Halogen Content

Not Yet Reviewed for halogen content


Solder Process Capability

Wave solder capable to 265°C

Product Compliance Disclaimer

This information is provided based on reasonable inquiry of our suppliers and represents our current actual knowledge based on the information they provided. This information is subject to change. The part numbers that TE has identified as EU RoHS compliant have a maximum concentration of 0.1% by weight in homogenous materials for lead, hexavalent chromium, mercury, PBB, PBDE, DBP, BBP, DEHP, DIBP, and 0.01% for cadmium, or qualify for an exemption to these limits as defined in the Annexes of Directive 2011/65/EU (RoHS2). Finished electrical and electronic equipment products will be CE marked as required by Directive 2011/65/EU. Components may not be CE marked. Additionally, the part numbers that TE has identified as EU ELV compliant have a maximum concentration of 0.1% by weight in homogenous materials for lead, hexavalent chromium, and mercury, and 0.01% for cadmium, or qualify for an exemption to these limits as defined in the Annexes of Directive 2000/53/EC (ELV). Regarding the REACH Regulations, TE's information on SVHC in articles for this part number is still based on the European Chemical Agency (ECHA) 'Guidance on requirements for substances in articles' (Version: 2, April 2011), applying the 0.1% weight on weight concentration threshold at the finished product level. TE is aware of the European Court of Justice ruling of September 10th, 2015 also known as O5A (Once An Article Always An Article) stating that, in case of 'complex object', the threshold for a SVHC must be applied to both the product as a whole and simultaneously to each of the articles forming part of its composition. TE has evaluated this ruling based on the new ECHA "Guidance on requirements for substances in articles" (June 2017, version 4.0) and will be updating its statements accordingly.

Customers Also Bought



TE Part #CAT-AM71-CH8172
 AMP SUPERSEAL 1.5MM,
 CONNECTOR HOUSING



TE Part #114017-ZZ
 SEALING PLUG, SIZE 12/16, WHT



TE Part #DT04-2P
 REC, 2P, GRY, N



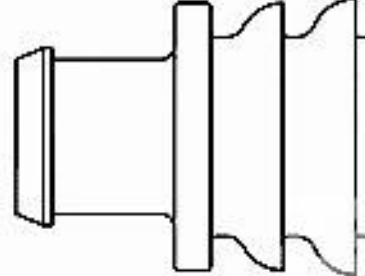
TE Part #DT06-2S
 PLG, 2P, GRY, N



TE Part #CAT-D487-W416
 Wedgelocks: DEUTSCH DT



TE Part #CAT-D48-ST273
 DEUTSCH Solid Contacts



TE Part #281934-2
 SINGLE WIRE SEAL

Documents



Product Drawings

[AMPLIMITE,ASY,RCPT,POSTD,109,4](#)

English

CAD Files

[3D PDF](#)

3D

Customer View Model

[ENG_CVM_CVM_443978-4_F.2d_dxf.zip](#)

English

Customer View Model

[ENG_CVM_CVM_443978-4_F.3d_igs.zip](#)

English

Customer View Model

[ENG_CVM_CVM_443978-4_F.3d_stp.zip](#)

English

By downloading the CAD file I accept and agree to the [Terms and Conditions](#) of use.