

42025-4 ✓ ACTIVE

FASTON | FASTON 250

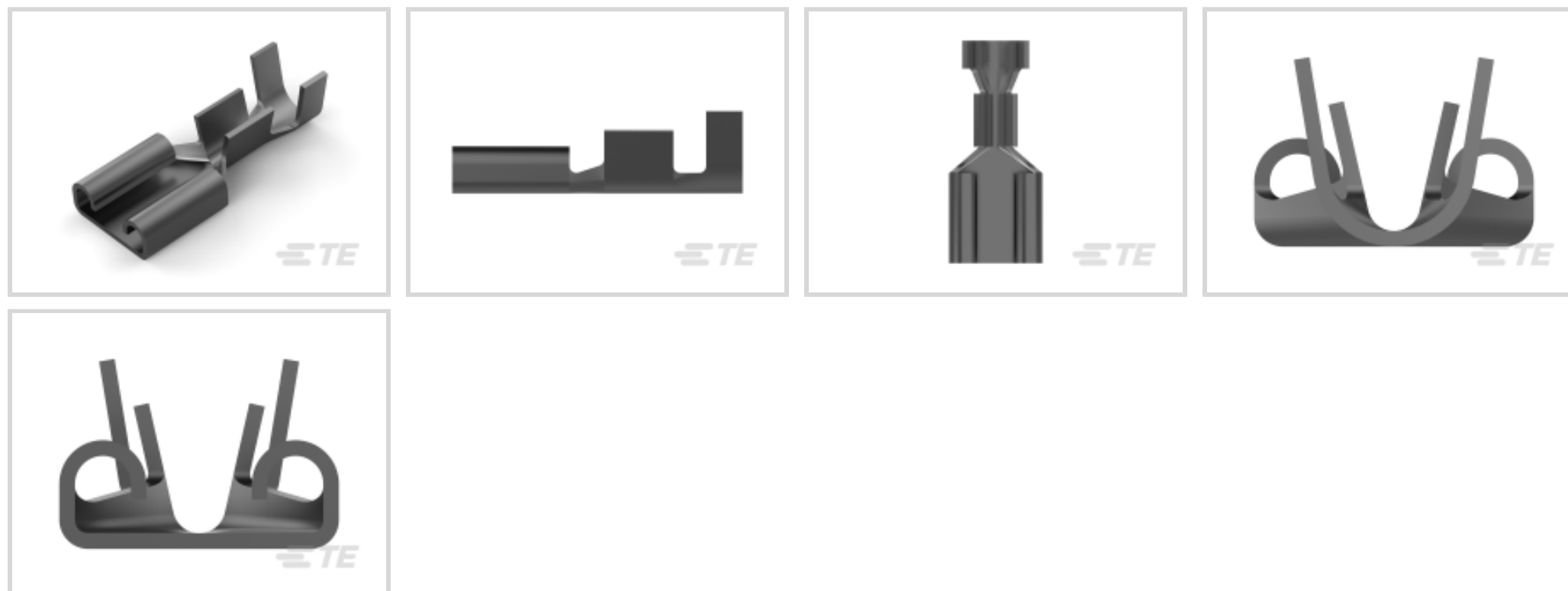
TE Internal #: 42025-4

Quick Disconnect Receptacle, 18 – 16 AWG, .82 – 1.31 mm² Wire,
6.35 mm [.25 in] Tab Width, Straight, Brass, Tin Plating, FASTON 250

[View on TE.com >](#)



Terminals & Splices > Quick Disconnects



Quick Disconnect Terminal Type: **Receptacle**

Wire Size: .82 – 1.31 mm²

Mating Tab Width: 6.35 mm [.25 in]

Mating Tab Thickness: .81 mm [.032 in]

Features

Industry Standards

Compatible With Agency/Standards Products	UL, CSA
---	---------

Termination Features

Product Terminates To	Wire & Cable
-----------------------	--------------

Configuration Features

Compatible With Wire & Cable Type	Discrete Wire
Connection Capacity	Single

Mechanical Attachment

Wire Insulation Support	With
Mating Retention Type	Dimple

Other

Line	Premier
EU RoHS Compliance	Compliant
EU ELV Compliance	Compliant

Packaging Features

Packaging Quantity	1000
--------------------	------



Packaging Method	Loose Piece/Carton
------------------	--------------------

Dimensions

Product Length	20.44 mm[.805 in]
Compatible Insulation Diameter Range	3.05 – 3.68 mm[.12 – .145 in]
Terminal Material Thickness	.43 mm[.017 in]
Wire Size	.82 – 1.31 mm ²

Product Type Features

Insertion Force	Low
-----------------	-----

Contact Features

Quick Disconnect Terminal Type	Receptacle
Mating Tab Width	6.35 mm[.25 in]
Mating Tab Thickness	.81 mm[.032 in]
Terminal Orientation	Straight
Contact Base Material	Brass
Terminal Plating Material	Tin
Crimp Type	F-Crimp
Barrel Type	Open

Usage Conditions

Insulation Option	Uninsulated
Operating Temperature Range	-40 – 110 °C[-40 – 230 °F]

Product Compliance

[For compliance documentation, visit the product page on TE.com>](#)

EU RoHS Directive 2011/65/EU	Compliant
EU ELV Directive 2000/53/EC	Compliant
China RoHS 2 Directive MIIT Order No 32, 2016	No Restricted Materials Above Threshold
EU REACH Regulation (EC) No. 1907/2006	Current ECHA Candidate List: JUNE 2024 (241) Candidate List Declared Against: JUNE 2024 (241) Does not contain REACH SVHC
Halogen Content	Low Halogen - Br, Cl, F, I < 900 ppm per homogenous material. Also BFR/CFR/PVC Free

Solder Process Capability

Not applicable for solder process capability

Product Compliance Disclaimer

This information is provided based on reasonable inquiry of our suppliers and represents our current actual knowledge based on the information they provided. This information is subject to change. The part numbers that TE has identified as EU RoHS compliant have a maximum concentration of 0.1% by weight in homogenous materials for lead, hexavalent chromium, mercury, PBB, PBDE, DBP, BBP, DEHP, DIBP, and 0.01% for cadmium, or qualify for an exemption to these limits as defined in the Annexes of Directive 2011/65/EU (RoHS2). Finished electrical and electronic equipment products will be CE marked as required by Directive 2011/65/EU. Components may not be CE marked. Additionally, the part numbers that TE has identified as EU ELV compliant have a maximum concentration of 0.1% by weight in homogenous materials for lead, hexavalent chromium, and mercury, and 0.01% for cadmium, or qualify for an exemption to these limits as defined in the Annexes of Directive 2000/53/EC (ELV). Regarding the REACH Regulation, the information TE provides on SVHC in articles for this part number is based on the latest European Chemicals Agency (ECHA) 'Guidance on requirements for substances in articles' posted at this URL: <https://echa.europa.eu/guidance-documents/guidance-on-reach>

Compatible Parts



TE Part # 41968-2
250 FASTON REC 22-18 AWG BR



TE Part # 42021
250 FASTON REC 16-12 AWG TPBR



TE Part # 41729-2
250 FASTON REC 18-16 AWG TPBR



TE Part # 42731-2
FASTON 250 REC TERMINAL 22-18
TPBR LP



TE Part # 61045-2
FASTON .187 SERIES (4.8 MM) TPBR



TE Part # 170187-2
250 FASTON, REC., 22-18 AWG, TPBR



TE Part # 41969-2
250 FASTON REC 22-18 AWG BR



TE Part # 5-160563-2
250 FASTON REC 18-16 AWG TPBR



TE Part # 42025-1
250 FASTON REC 18-14 AWG TPBZ



TE Part # 41445
FASTON 250(6.3 MM) REC 18-16 AWG
BR



TE Part # 61873-1
250 FASTON REC 18-14 AWG TPBR



TE Part # 41729
250 FASTON REC 18-16 AWG TPBR

Also in the Series | **FASTON 250**



Compression Connectors(4)



Crimp Terminal Housings(118)



Insertion & Extraction Tools(6)



Insulation Boots & Sleeves(16)



PCB Terminals(133)



Quick Disconnects(425)



Splices(4)

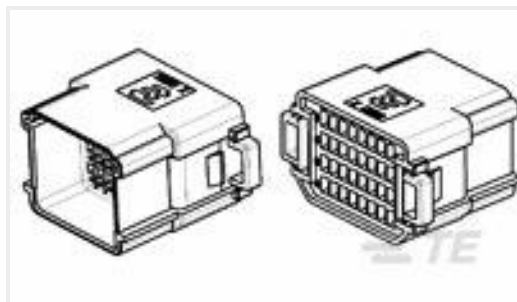
Customers Also Bought



TE Part #2178299-1
250 FASTON,F-SPR REC.,20-18 AWG, PNST



TE Part #6-2176412-7
5W XSM M/OX 5% 3K0



TE Part #3-2040404-2
DYNAMIC 1500T TAB HSG 36PX P/M



TE Part #5-1676123-4
1/2W SM M/OX 5% 130R



TE Part #CAT-D9934-A75C
DYNAMIC 3500 REC AND TAB HSG



TE Part #2178300-1
250 FASTON,F-SPR REC.,18-14 AWG, PNST



TE Part #316517-2
DYNAMIC 3500 HDR ASSY 20P V

Documents

Product Drawings

[250 FASTON REC 18-16 AWG TPBR](#)

English

CAD Files

Customer View Model

[ENG_CVM_CVM_42025-4_AG.2d_dxf.zip](#)

English

[3D PDF](#)



3D

Customer View Model

[ENG_CVM_CVM_42025-4_AG.3d_igs.zip](#)

English

Customer View Model

[ENG_CVM_CVM_42025-4_AG.3d_stp.zip](#)

English

By downloading the CAD file I accept and agree to the [Terms and Conditions](#) of use.

Product Specifications

[Wire Preparation And Crimp Inspection Guide](#)

English

Instruction Sheets

[Instruction Sheet \(U.S.\)](#)

English

Agency Approvals

[UL Report](#)

English