

41969-2 ✓ ACTIVE

FASTON | FASTON 250

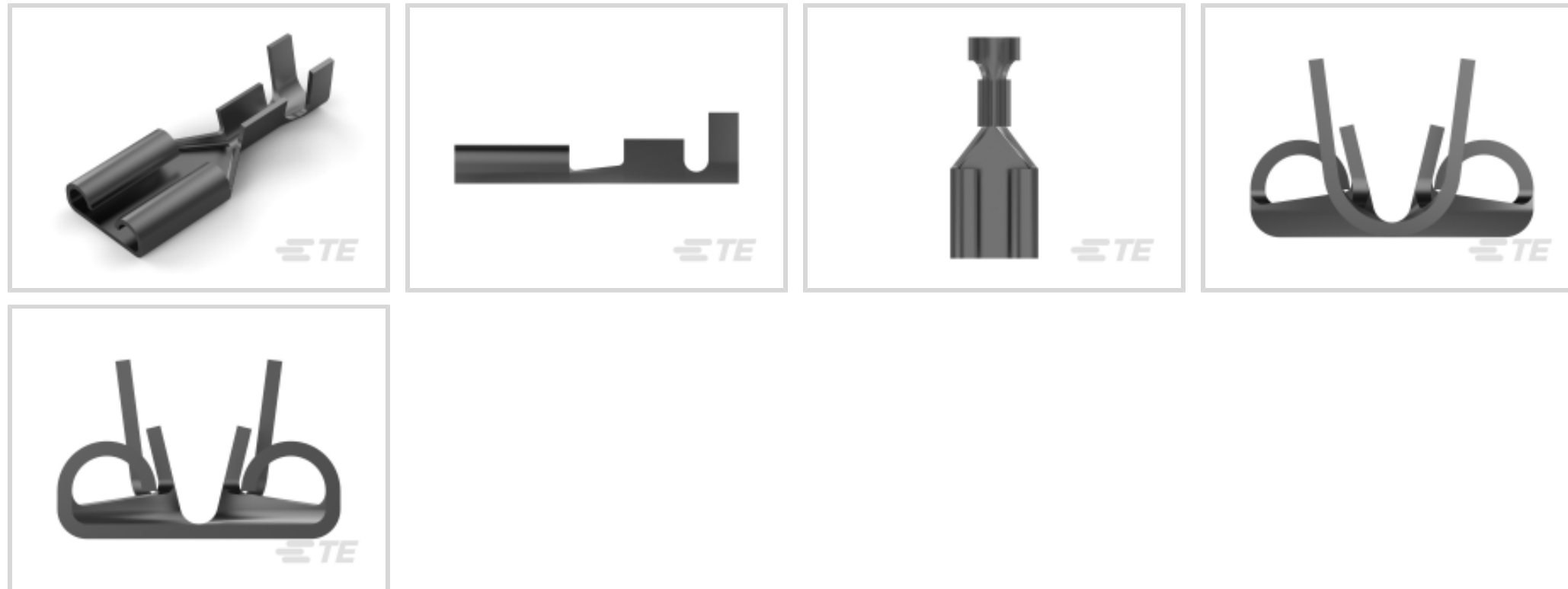
TE Internal #: 41969-2

Quick Disconnect Receptacle, 22 – 18 AWG, .32 – .82 mm² Wire,
6.35 mm [.25 in] Tab Width, Straight, Brass, Tin Plating, Loose Piece
/Carton, FASTON 250

[View on TE.com >](#)



Terminals & Splices > Quick Disconnects



Quick Disconnect Terminal Type: **Receptacle**

Wire Size: .32 – .82 mm²

Mating Tab Width: 6.35 mm [.25 in]

Mating Tab Thickness: .81 mm [.032 in]

Features

Industry Standards

Compatible With Agency/Standards Products	UL, CSA
---	---------

Termination Features

Product Terminates To	Wire & Cable
-----------------------	--------------

Configuration Features

Compatible With Wire & Cable Type	Discrete Wire
-----------------------------------	---------------

Connection Capacity	Single
---------------------	--------

Mechanical Attachment

Wire Insulation Support	With
-------------------------	------

Mating Retention Type	Dimple
-----------------------	--------

Other

Line	Premier
------	---------

EU RoHS Compliance	Compliant
--------------------	-----------

EU ELV Compliance	Compliant
-------------------	-----------

Packaging Features



Packaging Quantity	500
--------------------	-----

Packaging Method	Loose Piece/Carton
------------------	--------------------

Dimensions

Product Length	20.44 mm [.805 in]
----------------	--------------------

Compatible Insulation Diameter Range	2.29 – 3.3 mm [.09 – .13 in]
--------------------------------------	------------------------------

Terminal Material Thickness	.41 mm [.016 in]
-----------------------------	------------------

Wire Size	.32 – .82 mm ²
-----------	---------------------------

Product Type Features

Insertion Force	Normal
-----------------	--------

Contact Features

Quick Disconnect Terminal Type	Receptacle
--------------------------------	------------

Mating Tab Width	6.35 mm [.25 in]
------------------	------------------

Mating Tab Thickness	.81 mm [.032 in]
----------------------	------------------

Terminal Orientation	Straight
----------------------	----------

Contact Base Material	Brass
-----------------------	-------

Terminal Plating Material	Tin
---------------------------	-----

Crimp Type	F-Crimp
------------	---------

Barrel Type	Open
-------------	------

Usage Conditions

Insulation Option	Uninsulated
-------------------	-------------

Operating Temperature Range	-40 – 110 °C [-40 – 230 °F]
-----------------------------	-----------------------------

Product Compliance

[For compliance documentation, visit the product page on TE.com>](#)

EU RoHS Directive 2011/65/EU	Compliant
------------------------------	-----------

EU ELV Directive 2000/53/EC	Compliant
-----------------------------	-----------

China RoHS 2 Directive MIIT Order No 32, 2016	No Restricted Materials Above Threshold
---	---

EU REACH Regulation (EC) No. 1907/2006	Current ECHA Candidate List: JUNE 2024 (241) Candidate List Declared Against: JUNE 2024 (241) Does not contain REACH SVHC
--	---

Halogen Content	Low Halogen - Br, Cl, F, I < 900 ppm per homogenous material. Also BFR/CFR/PVC Free
-----------------	---

Solder Process Capability

Not applicable for solder process capability

Product Compliance Disclaimer

This information is provided based on reasonable inquiry of our suppliers and represents our current actual knowledge based on the information they provided. This information is subject to change. The part numbers that TE has identified as EU RoHS compliant have a maximum concentration of 0.1% by weight in homogenous materials for lead, hexavalent chromium, mercury, PBB, PBDE, DBP, BBP, DEHP, DIBP, and 0.01% for cadmium, or qualify for an exemption to these limits as defined in the Annexes of Directive 2011/65/EU (RoHS2). Finished electrical and electronic equipment products will be CE marked as required by Directive 2011/65/EU. Components may not be CE marked. Additionally, the part numbers that TE has identified as EU ELV compliant have a maximum concentration of 0.1% by weight in homogenous materials for lead, hexavalent chromium, and mercury, and 0.01% for cadmium, or qualify for an exemption to these limits as defined in the Annexes of Directive 2000/53/EC (ELV). Regarding the REACH Regulation, the information TE provides on SVHC in articles for this part number is based on the latest European Chemicals Agency (ECHA) 'Guidance on requirements for substances in articles' posted at this URL: <https://echa.europa.eu/guidance-documents/guidance-on-reach>

Compatible Parts

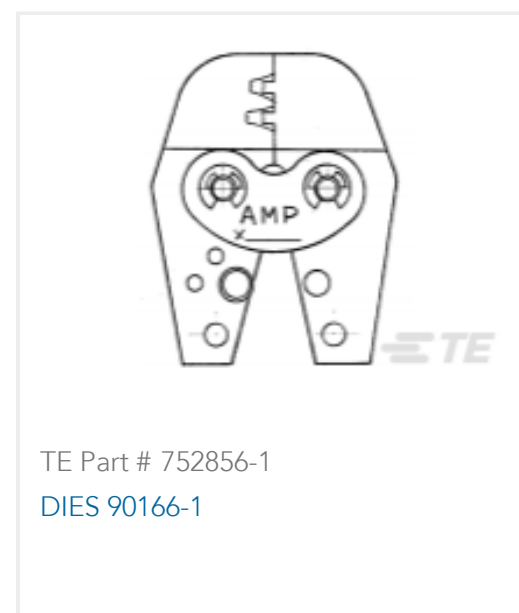


REPRESENTATION ONLY

TE Part # 575046-1
DAHT 250 FASTON 22-14 ASSY



TE Part # 42025-4
250 FASTON REC 18-16 AWG TPBR



TE Part # 752856-1
DIES 90166-1



TE Part # 169400
CERTI-LOK FRAME W/O DIES



TE Part # 2063429-2
SDE F FASTON 250 0.35-2.50mm2 DIE SET



TE Part # 539740-2
DIE F6. 3FF REC.



TE Part # 61873-1
250 FASTON REC 18-14 AWG TPBR



REPRESENTATION ONLY

TE Part # 90166-1
DAHT 250 FASTON REC 22-18 ASSY



TE Part # 91514-1
CCII FASTON 250 REC 22-18 ASSY



TE Part # 152422-1
250 FASTON, TAB, ADAPTER, BR



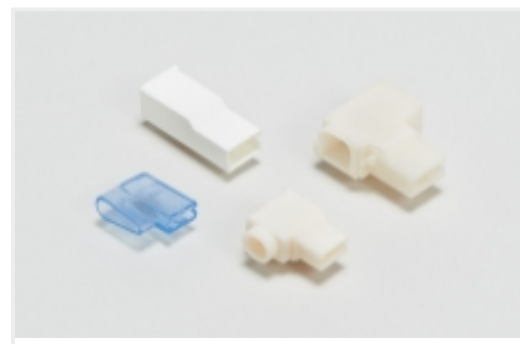
REPRESENTATION ONLY. DIE SET MAY VARY.

TE Part # 2063429-1
SDE F FASTON 250 0.35-2.50mm2 ASSY

Also in the Series | **FASTON 250**



Compression Connectors(4)



Crimp Terminal Housings(118)



Insulation Boots & Sleeves(16)



Magnet Wire Terminals(1)



PCB Terminals(133)



Quick Disconnects(425)



Splices(4)

Customers Also Bought



TE Part #150346-2
110 MINI FASTON,REC.,24-20 AWG, TPBR



TE Part #176819-000
B-150-11



TE Part #270225-000
B-150-07



TE Part #EC0053-000
05801913



TE Part #696422-2
PIDG PVF2 22-16COMM 22-18MIL 4



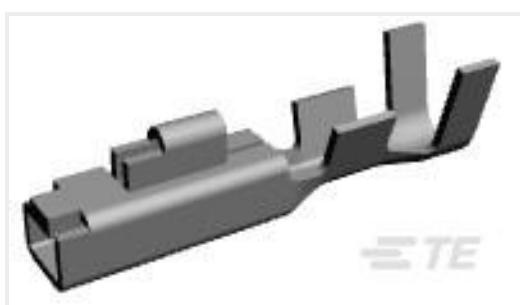
TE Part #928343-4
STD TIMER GEH 4P



TE Part #EC0051-000
05801911



TE Part #CSA264F49450001000
940 PLUG



TE Part #175151-1
AMP UNIVERSAL POWER REC CONT.



TE Part #796275-000
CWT-13

Documents



Product Drawings

250 FASTON REC 22-18 AWG BR

English

CAD Files

3D PDF

3D

Customer View Model

[ENG_CVM_CVM_41969-2_AA.2d_dxf.zip](#)

English

Customer View Model

[ENG_CVM_CVM_41969-2_AA.3d_igs.zip](#)

English

Customer View Model

[ENG_CVM_CVM_41969-2_AA.3d_stp.zip](#)

English

By downloading the CAD file I accept and agree to the [Terms and Conditions](#) of use.

Product Specifications

Wire Preparation And Crimp Inspection Guide

English

Instruction Sheets

Instruction Sheet (U.S.)

English

Crimping Head for FASTON Terminals

English

Agency Approvals

Agency Approval Document

English