



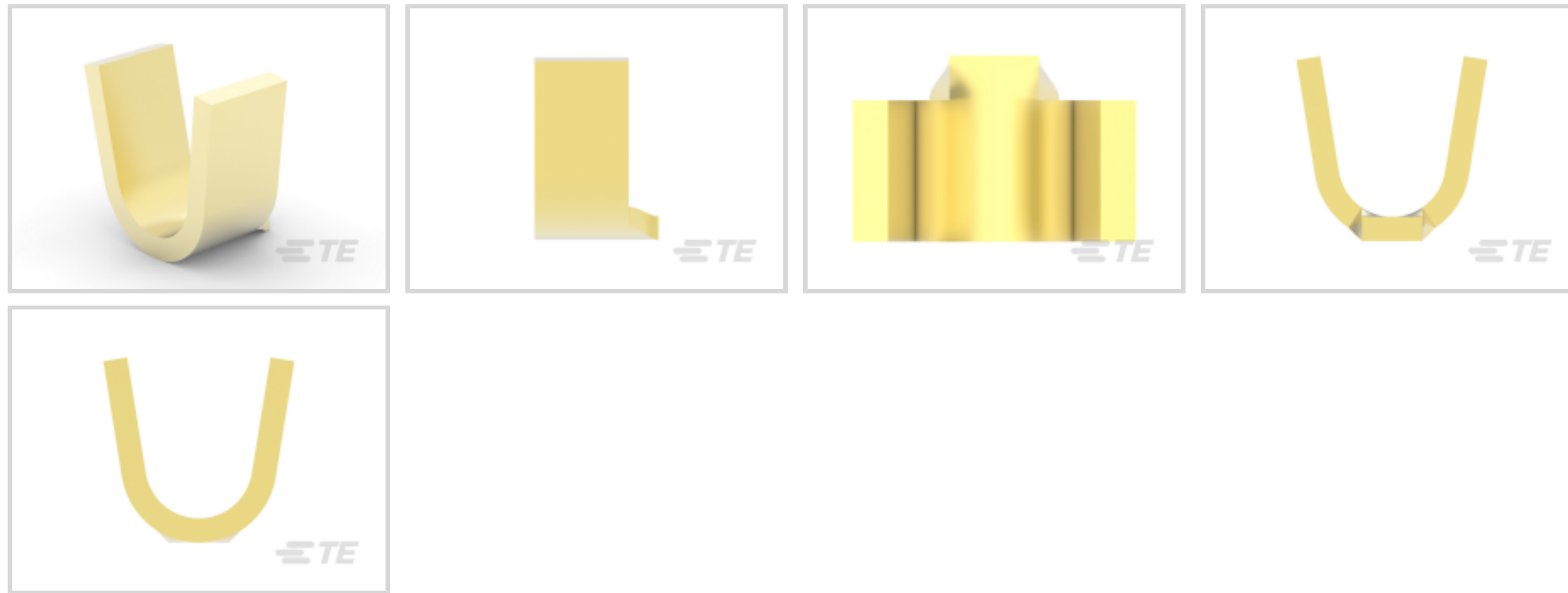
SPLICE

TE Internal #: 41459

Pigtail Splice / Thru Splice, 800 – 2600 CMA, Uninsulated, Brass, 0 Serration, 1.7 mm [.067 in] Length, Reel, Open Barrel, SPLICE

[View on TE.com >](#)

Terminals & Splices > Splices



Splice Type: **Pigtail Splice, Thru Splice**

Sealable: **No**

Wire Size: **800 – 2600 CMA**

Contact Base Material: **Brass**

Terminal Material Thickness: **.41 mm [.016 in]**

Features

Product Type Features

Splice Type	Pigtail Splice, Thru Splice
Sealable	No
Compatible With Discrete Wire Type	Solid, Stranded
Wire Insulation Support Retention Type	Non-Insulation Support

Configuration Features

Number of Serrations	0
Compatible With Wire & Cable Type	Discrete Wire

Body Features

Product Weight	.035 g
----------------	--------

Contact Features

Contact Base Material	Brass
Barrel Type	Open

Mechanical Attachment

Wire Insulation Support	Without
-------------------------	---------

Dimensions

Wire Size	800 – 2600 CMA
Terminal Material Thickness	.41 mm[.016 in]
Product Length	1.7 mm[.067 in]

Usage Conditions

Insulation Option	Uninsulated
Operating Temperature Range	-40 – 110 °C[-40 – 230 °F]

Operation/Application

Compatible With Wire Base Material	Copper
------------------------------------	--------

Industry Standards

Government Qualified Splice	No
-----------------------------	----

Packaging Features

Packaging Quantity	50000
Packaging Method	Reel

Product Compliance

[For compliance documentation, visit the product page on TE.com>](#)

EU RoHS Directive 2011/65/EU	Compliant
EU ELV Directive 2000/53/EC	Compliant
China RoHS 2 Directive MIIT Order No 32, 2016	有害物质含量符合标准要求 No Restricted Substance(s) Above Threshold
EU REACH Regulation (EC) No. 1907/2006	Current ECHA Candidate List: JUNE 2025 (250) Candidate List Declared Against: JUNE 2025 (250) Does not contain REACH SVHC
Halogen Content	Low Halogen - Br, Cl, F < 900 ppm per homogenous material. Also BFR/CFR/PVC Free
Solder Process Capability	Not applicable for solder process capability

Product Compliance Disclaimer

This information is provided based on reasonable inquiry of our suppliers and represents our current actual knowledge based on the information they provided. This information is subject to change. The part numbers that TE has identified as EU RoHS compliant have a maximum concentration of 0.1% by weight in homogenous materials for lead, hexavalent chromium, mercury, PBB, PBDE, DBP, BBP, DEHP, DIBP, and 0.01% for cadmium, or qualify for an exemption to these limits as defined in the Annexes of Directive 2011/65/EU (RoHS2). Finished electrical and electronic equipment products will be CE marked as required by Directive 2011/65/EU. Components may not be CE marked. Additionally, the part

numbers that TE has identified as EU ELV compliant have a maximum concentration of 0.1% by weight in homogenous materials for lead, hexavalent chromium, and mercury, and 0.01% for cadmium, or qualify for an exemption to these limits as defined in the Annexes of Directive 2000/53/EC (ELV). Regarding the REACH Regulation, the information TE provides on SVHC in articles for this part number is based on the latest European Chemicals Agency (ECHA) 'Guidance on requirements for substances in articles' posted at this URL: <https://echa.europa.eu/guidance-documents/guidance-on-reach>

Compatible Parts



TE Part # 62759-1
SPLICE 400-1300 .016 BR



TE Part # 61008-1
SPLICE 18-16 AWG .0158 TPST



TE Part # 90062
DAHT 93 SERIES TAPER PIN 24 ASSY



TE Part # 160660-2
SPLICE 22-18 AWG .013 TPBR



TE Part # 160644-3
SPLICE 20-15 AWG .016 TPBR

Also in the Series | SPLICE

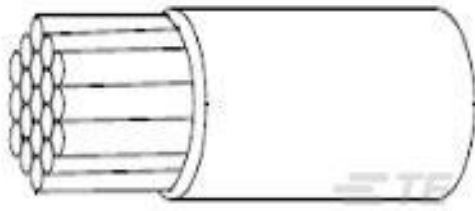


Crimp Wire Pins, Tabs & Ferrules(1)



Splices(63)

Customers Also Bought



TE Part #216368-001
22759/33-26-9



TE Part #DT13-36PABC-R015
HDR, 36P, BLK, RA EEC, NI/CU, ABC



TE Part #625053-000
D-141-35



TE Part #MLP-50
LINEAR POT, MINI, 50MM RANGE



Documents

Product Drawings

SPLICE 800-2600 CMA BR

English

CAD Files

3D PDF

3D

Customer View Model

[ENG_CVM_CVM_41459_AY_c-41459-ay.2d_dxf.zip](#)

English

Customer View Model

[ENG_CVM_CVM_41459_AY_c-41459-ay.3d_igs.zip](#)

English

Customer View Model

[ENG_CVM_CVM_41459_AY_c-41459-ay.3d_stp.zip](#)

English

By downloading the CAD file I accept and agree to the [Terms and Conditions](#) of use.

Product Specifications

Application Specification

English

Agency Approvals

CSA Certificate

English