

41450-2 ✓ ACTIVE

FASTON | FASTON 250

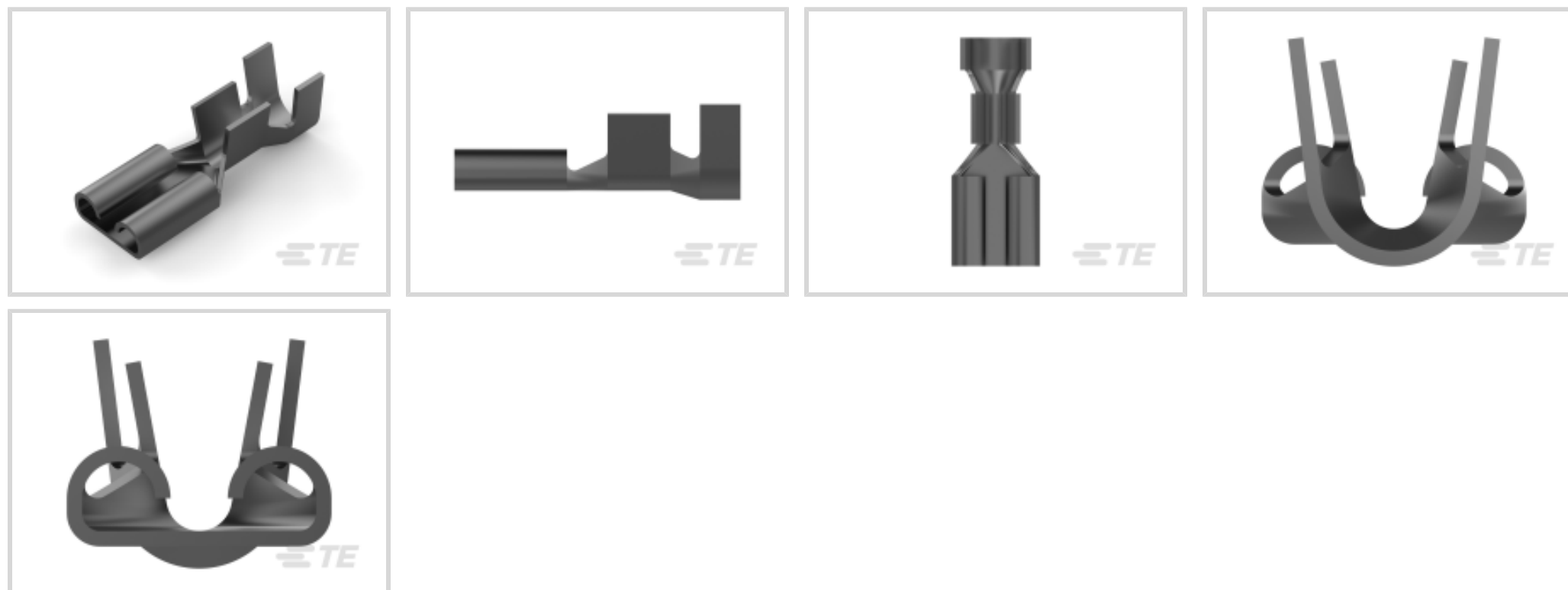
TE Internal #: 41450-2

Quick Disconnect Receptacle, Uninsulated, 14 – 10 AWG, 2.08 – 5.26 mm² Wire, 6.35 mm [.25 in] Tab Width, F-Crimp, Straight, FASTON 250

[View on TE.com >](#)



Terminals & Splices > Quick Disconnects



Quick Disconnect Terminal Type: **Receptacle**

Wire Size: **2.08 – 5.26 mm²**

Mating Tab Width: **6.35 mm [.25 in]**

Mating Tab Thickness: **.81 mm [.032 in]**

Features

Product Type Features

Insertion Force	Low
-----------------	-----

Configuration Features

Compatible With Wire & Cable Type	Discrete Wire
-----------------------------------	---------------

Connection Capacity	Single
---------------------	--------

Contact Features

Quick Disconnect Terminal Type	Receptacle
--------------------------------	------------

Mating Tab Width	6.35 mm [.25 in]
------------------	------------------

Mating Tab Thickness	.81 mm [.032 in]
----------------------	------------------

Terminal Orientation	Straight
----------------------	----------

Contact Base Material	Phosphor Bronze
-----------------------	-----------------

Terminal Plating Material	Tin
---------------------------	-----

Crimp Type	F-Crimp
------------	---------

Barrel Type	Open
-------------	------

Termination Features



Product Terminates To	Wire & Cable
-----------------------	--------------

Mechanical Attachment

Wire Insulation Support	With
-------------------------	------

Mating Retention Type	Dimple
-----------------------	--------

Dimensions

Product Length	19.56 mm[.777 in]
----------------	-------------------

Compatible Insulation Diameter Range	3.81 – 5.08 mm[.15 – .2 in]
--------------------------------------	-----------------------------

Terminal Material Thickness	.46 mm[.018 in]
-----------------------------	-----------------

Wire Size	2.08 – 5.26 mm ²
-----------	-----------------------------

Usage Conditions

Insulation Option	Uninsulated
-------------------	-------------

Operating Temperature Range	-40 – 110 °C[-40 – 230 °F]
-----------------------------	----------------------------

Industry Standards

Compatible With Agency/Standards Products	CSA, UL
---	---------

Packaging Features

Packaging Quantity	5000
--------------------	------

Packaging Method	Strip/Reel
------------------	------------

Other

Line	Premier
------	---------

Product Compliance

[For compliance documentation, visit the product page on TE.com>](#)

EU RoHS Directive 2011/65/EU	Compliant
------------------------------	-----------

EU ELV Directive 2000/53/EC	Compliant
-----------------------------	-----------

China RoHS 2 Directive MIIT Order No 32, 2016	有害物质含量符合标准要求 No Restricted Substance(s) Above Threshold
---	---

EU REACH Regulation (EC) No. 1907/2006	Current ECHA Candidate List: JUNE 2025 (250) Candidate List Declared Against: JUNE 2025 (250) Does not contain REACH SVHC
--	---

Halogen Content	Low Halogen - Br, Cl, F < 900 ppm per homogenous material. Also BFR/CFR/PVC Free
-----------------	--

Solder Process Capability	Not applicable for solder process capability
---------------------------	--

Product Compliance Disclaimer

This information is provided based on reasonable inquiry of our suppliers and represents our current actual knowledge based on the information they provided. This information is subject to change. The part numbers that TE has identified as EU RoHS compliant have a maximum concentration of 0.1% by weight in homogenous materials for lead, hexavalent chromium, mercury, PBB, PBDE, DBP, BBP, DEHP, DIBP, and 0.01% for cadmium, or qualify for an exemption to these limits as defined in the Annexes of Directive 2011/65/EU (RoHS2). Finished electrical and electronic equipment products will be CE marked as required by Directive 2011/65/EU. Components may not be CE marked. Additionally, the part numbers that TE has identified as EU ELV compliant have a maximum concentration of 0.1% by weight in homogenous materials for lead, hexavalent chromium, and mercury, and 0.01% for cadmium, or qualify for an exemption to these limits as defined in the Annexes of Directive 2000/53/EC (ELV). Regarding the REACH Regulation, the information TE provides on SVHC in articles for this part number is based on the latest European Chemicals Agency (ECHA) 'Guidance on requirements for substances in articles' posted at this URL: <https://echa.europa.eu/guidance-documents/guidance-on-reach>

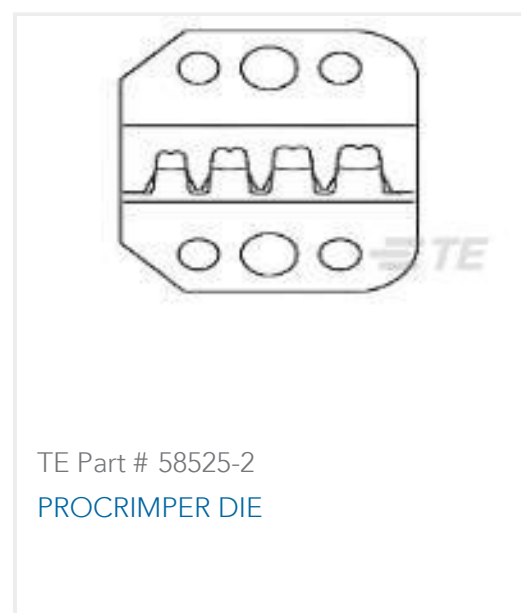
Compatible Parts



TE Part # 2150237-1
OCEAN_2.0_APPLICATOR-E-130F2100-REM



TE Part # 2376595-2
250 FASTON PCB TAB TPBR



TE Part # 58525-2
PROCRIMPER DIE



TE Part # 90120
DAHT 250 FASTON REC 14-10 ASSY



TE Part # 7-2150237-7
OCEAN_2.0_SPARE_PART_KIT-130F2100

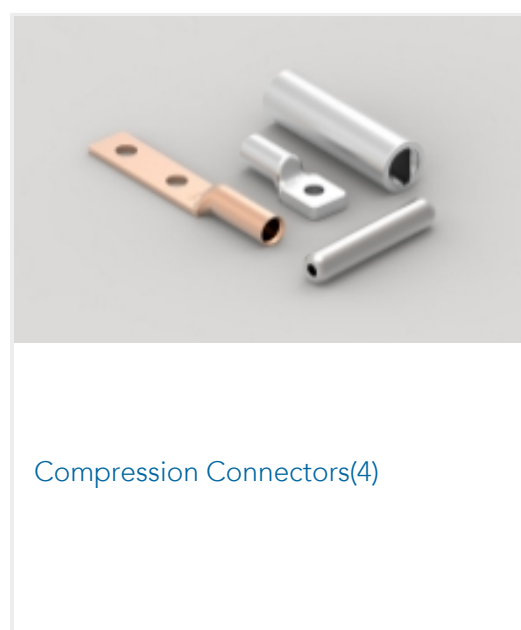


TE Part # 5-160521-2
375 FASTON REC 12-10 AWG TPBR

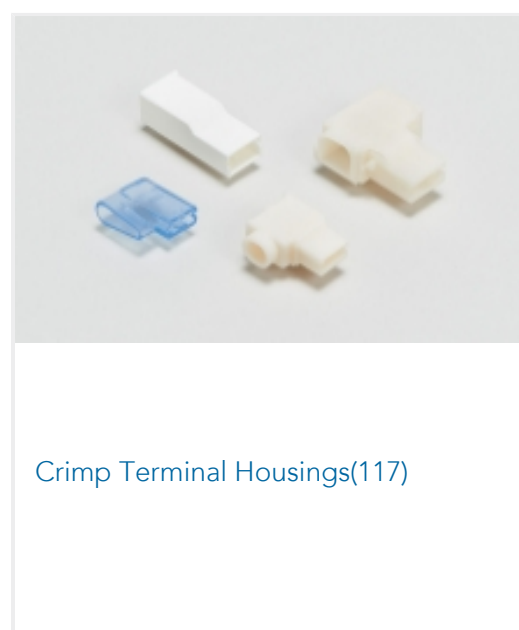


TE Part # 2150237-2
OCEAN_2.0_APPLICATOR-E-130F2100-REA

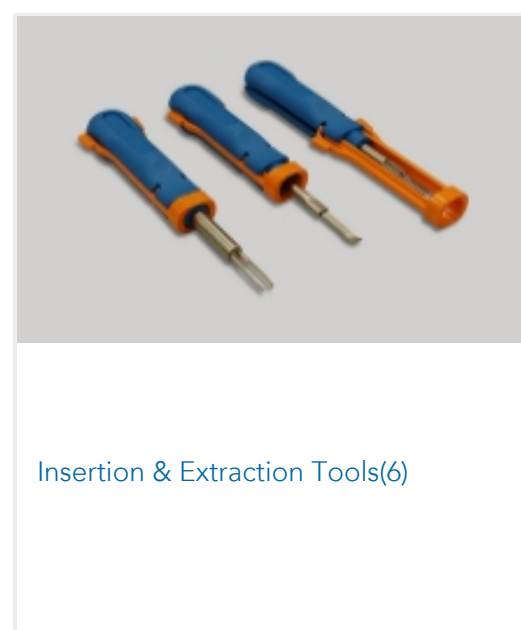
Also in the Series | FASTON 250



Compression Connectors(4)



Crimp Terminal Housings(117)



Insertion & Extraction Tools(6)



Insulation Boots & Sleeves(16)



Magnet Wire Terminals(1)



PCB Terminals(133)



Quick Disconnects(412)



Splices(4)

Customers Also Bought

TE Part #1SNA290201R1100
DR2.5/5.2LTE Part #321233
TERMINAL,PIDG SPD 16-14 8TE Part #350536-3
UMNL SOK 20-14 .0125 PTPPHBZTE Part #2-735075-6
250 FASTON INS POST.,REC.,1 POS,
NATRUALTE Part #926899-1
TERM MACHO UNIVER.MATE-N-LOKTE Part #928344-3
3P STD TIMER GEHTE Part #1-1241961-8
STD TIM HOUSING MKII 3POSTE Part #7-2176412-6
5W XSM M/OX 5% 6K8TE Part #9-2176412-9
5W XSM M/OX 5% 62KTE Part #653595-2
SHEAR BLADE

Documents

Product Drawings

[250 FASTON REC 14-10 AWG TPBZ](#)

English

CAD Files

[3D PDF](#)

3D

[Customer View Model](#)

[ENG_CVM_CVM_41450-2_DD.2d_dxf.zip](#)



English

Customer View Model

[ENG_CVM_CVM_41450-2_DD.3d_igs.zip](#)

English

Customer View Model

[ENG_CVM_CVM_41450-2_DD.3d_stp.zip](#)

English

By downloading the CAD file I accept and agree to the [Terms and Conditions](#) of use.

Product Specifications

[Application Specification](#)

English

Agency Approvals

[UL Report](#)

English