

41409 ✓ ACTIVE

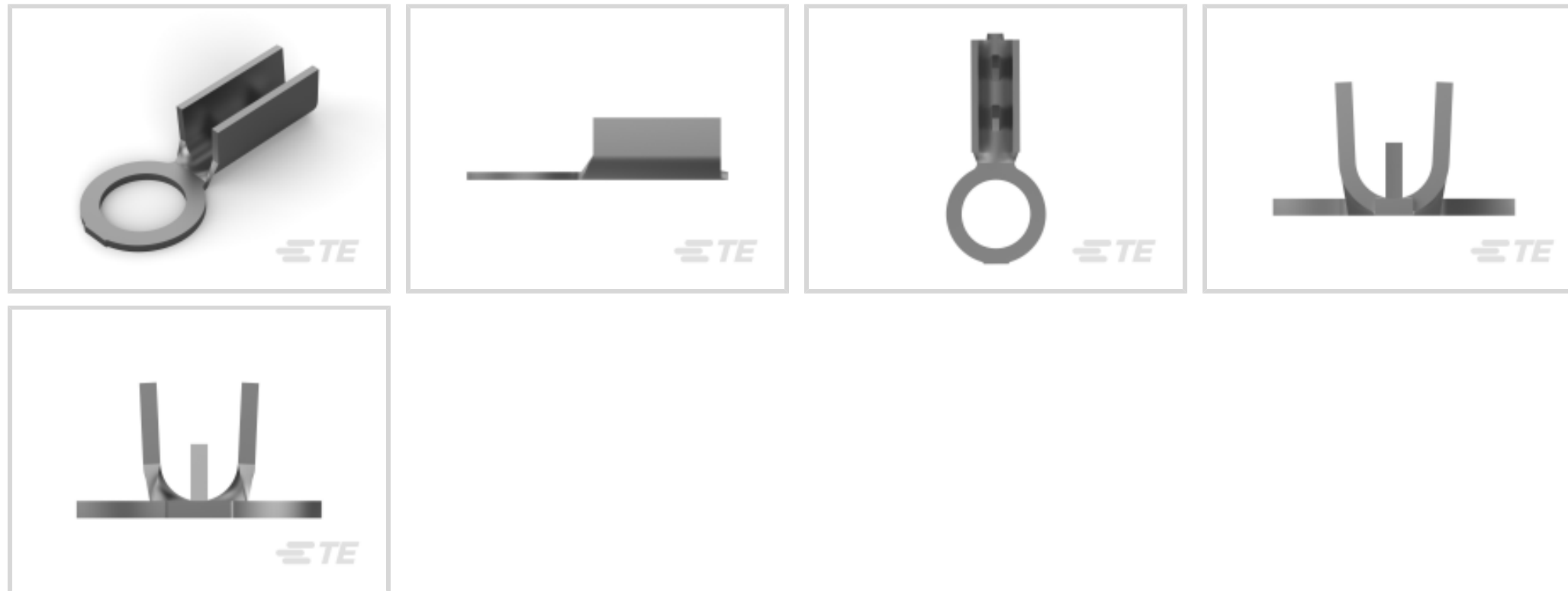
TE Internal #: 41409

Closed Ring Tongue Terminal, 22 – 20 AWG, #5 / M3 Stud, 3.25 mm [.128 in] Stud Diameter, Open Barrel, Straight, Tin Plating, Uninsulated

[View on TE.com >](#)



Terminals & Splices > Ring Terminals



Ring Terminal Product Type: Closed Ring Tongue Terminal

Wire Size: 642 – 1021 CMA

Stud Size: M3, #5

Features

Configuration Features

Number of Holes	1
-----------------	---

Body Features

Product Weight	.112 g
----------------	--------

Mechanical Attachment

Wire Insulation Support	With
-------------------------	------

Industry Standards

Government Qualified Terminal	No
-------------------------------	----

Packaging Features

Packaging Quantity	25000
--------------------	-------

Packaging Method	Strip/Reel
------------------	------------

Contact Features

Contact Base Material	Brass
-----------------------	-------

Barrel Type	Open
-------------	------

Terminal Orientation	Straight
----------------------	----------

Terminal Plating Material	Tin
---------------------------	-----



Contact Underplating Material	None
-------------------------------	------

Dimensions

	.049 in
Wire Size	642 – 1021 CMA
Stud Diameter	3.25 mm [.128 in]
Tongue Thickness	.32 mm [.012 in]
Product Length	10.87 mm [.428 in]
Barrel Inside Diameter	1.47 mm [.058 in]
Compatible Insulation Diameter (Max)	1.65 mm [.065 in]
Compatible Insulation Diameter Range	1.27 – 1.65 mm [.05 – .065 in]

Product Type Features

Shape Description	Circular/Oval
Ring Terminal Product Type	Closed Ring Tongue Terminal
Stud Size	M3, #5
Sealable	No
Compatible With Discrete Wire Type	Stranded
Wire Insulation Support Retention Type	Insulation Piercing

Usage Conditions

Insulation Option	Uninsulated
Operating Temperature Range	-40 – 110 °C [-40 – 230 °F]

Operation/Application

Compatible With Wire Base Material	Copper
------------------------------------	--------

Other

EU RoHS Compliance	Compliant
EU ELV Compliance	Compliant

Product Compliance

[For compliance documentation, visit the product page on TE.com>](#)

EU RoHS Directive 2011/65/EU	Compliant
EU ELV Directive 2000/53/EC	Compliant
China RoHS 2 Directive MIIT Order No 32, 2016	No Restricted Materials Above Threshold
EU REACH Regulation (EC) No. 1907/2006	Current ECHA Candidate List: JUNE 2024 (241)

Candidate List Declared Against: JUNE 2024 (241)

Does not contain REACH SVHC

Halogen Content

Low Halogen - Br, Cl, F, I < 900 ppm per homogenous material. Also BFR/CFR/PVC Free

Solder Process Capability

Not applicable for solder process capability

Product Compliance Disclaimer

This information is provided based on reasonable inquiry of our suppliers and represents our current actual knowledge based on the information they provided. This information is subject to change. The part numbers that TE has identified as EU RoHS compliant have a maximum concentration of 0.1% by weight in homogenous materials for lead, hexavalent chromium, mercury, PBB, PBDE, DBP, BBP, DEHP, DIBP, and 0.01% for cadmium, or qualify for an exemption to these limits as defined in the Annexes of Directive 2011/65/EU (RoHS2). Finished electrical and electronic equipment products will be CE marked as required by Directive 2011/65/EU. Components may not be CE marked. Additionally, the part numbers that TE has identified as EU ELV compliant have a maximum concentration of 0.1% by weight in homogenous materials for lead, hexavalent chromium, and mercury, and 0.01% for cadmium, or qualify for an exemption to these limits as defined in the Annexes of Directive 2000/53/EC (ELV). Regarding the REACH Regulation, the information TE provides on SVHC in articles for this part number is based on the latest European Chemicals Agency (ECHA) 'Guidance on requirements for substances in articles' posted at this URL: <https://echa.europa.eu/guidance-documents/guidance-on-reach>

Compatible Parts



KIT
REPRESENTATION ONLY

TE Part # 7-2150729-7
[OCEAN_2.0_SPARE_PART_KIT-0900](#)



TE Part # 2150729-2
[OCEAN_2.0_Applicator-E-0900-REA](#)



TE Part # 2150729-1
[OCEAN_2.0_Applicator-E-0900-REM](#)

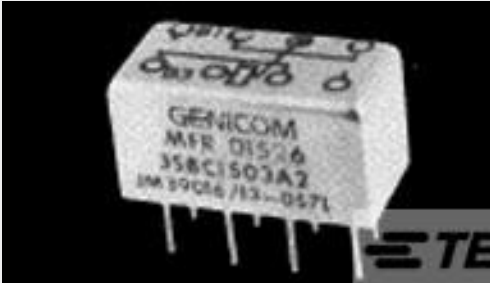


TE Part # 640189-1
[RING TINSEL WIRE TPBR](#)

Customers Also Bought



TE Part #1-5745967-0
[25 RCPT SP/FMS INSRT](#)



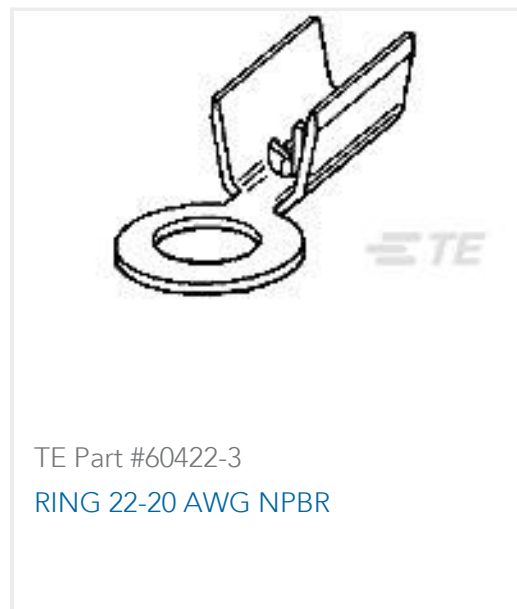
TE Part #2-1617072-6
[3SBC1517A2 = M39016/13-056M](#)



TE Part #205090-2
[SKT CONT ASSY,SZ 20,AMPLIMITE](#)



TE Part #41376
[RING 22-20 AWG PTPBR](#)



Documents

Product Drawings

[RING IP 22-20 128 012PTPBR](#)

English

CAD Files

[3D PDF](#)

3D

Customer View Model

[ENG_CVM_CVM_41409_AP_c-41409-ap.2d_dxf.zip](#)

English

Customer View Model

[ENG_CVM_CVM_41409_AP_c-41409-ap.3d_igs.zip](#)

English

Customer View Model

[ENG_CVM_CVM_41409_AP_c-41409-ap.3d_stp.zip](#)

English

By downloading the CAD file I accept and agree to the [Terms and Conditions](#) of use.

Product Specifications

[Application Specification](#)

English