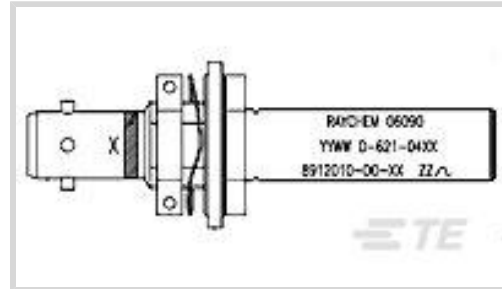




Cable Assemblies > Data Bus Components > Data Bus Terminators



Data Bus Connector Type: **Jack**

Data Bus Connector Style: **Bayonet**

Polarization Code: **A**

Contact Type: **Pin**

Impedance: **78 Ω**

### Features

#### Usage Conditions

Operating Temperature (Max)	125 °C
-----------------------------	--------

#### Termination Features

Termination Method to Wire & Cable	Solder
------------------------------------	--------

#### Product Type Features

Data Bus Connector Type	Jack
Data Bus Connector Style	Bayonet

#### Mechanical Attachment

Polarization Code	A
-------------------	---

#### Contact Features

Contact Type	Pin
--------------	-----

#### Electrical Characteristics

Impedance	78 Ω
-----------	------

#### Other

EU RoHS Compliance	Not Compliant
EU ELV Compliance	Not Compliant

### Product Compliance

[For compliance documentation, visit the product page on TE.com>](#)

EU RoHS Directive 2011/65/EU	Not Compliant
------------------------------	---------------



EU ELV Directive 2000/53/EC	Not Compliant
China RoHS 2 Directive MIIT Order No 32, 2016	Restricted Materials Above Threshold
EU REACH Regulation (EC) No. 1907/2006	<p>Current ECHA Candidate List: JUNE 2024 (241)</p> <p>Candidate List Declared Against: JUNE 2024 (241)</p> <p>SVHC &gt; Threshold:</p> <p>Pb (37% in Solder)</p> <p><b>Article Safe Usage Statements:</b> Do not eat, drink or smoke when using this product. Wash thoroughly after handling. Recycle if possible and dispose of the article by following all applicable governmental regulations relevant to your geographic location.</p>
Halogen Content	BFR/CFR/PVC Free, but Br/Cl >900 ppm in other sources.
Solder Process Capability	Not applicable for solder process capability

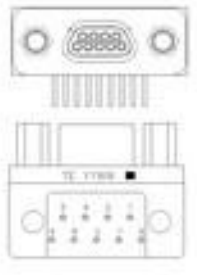
Product Compliance Disclaimer

This information is provided based on reasonable inquiry of our suppliers and represents our current actual knowledge based on the information they provided. This information is subject to change. The part numbers that TE has identified as EU RoHS compliant have a maximum concentration of 0.1% by weight in homogenous materials for lead, hexavalent chromium, mercury, PBB, PBDE, DBP, BBP, DEHP, DIBP, and 0.01% for cadmium, or qualify for an exemption to these limits as defined in the Annexes of Directive 2011/65/EU (RoHS2). Finished electrical and electronic equipment products will be CE marked as required by Directive 2011/65/EU. Components may not be CE marked. Additionally, the part numbers that TE has identified as EU ELV compliant have a maximum concentration of 0.1% by weight in homogenous materials for lead, hexavalent chromium, and mercury, and 0.01% for cadmium, or qualify for an exemption to these limits as defined in the Annexes of Directive 2000/53/EC (ELV). Regarding the REACH Regulation, the information TE provides on SVHC in articles for this part number is based on the latest European Chemicals Agency (ECHA) 'Guidance on requirements for substances in articles' posted at this URL: <https://echa.europa.eu/guidance-documents/guidance-on-reach>

## Compatible Parts



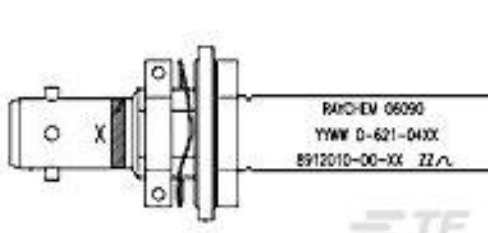
## Customers Also Bought



TE Part #1532250-2  
M83513/10-A01CP = MCKS-C2-P-9PRT1



TE Part #2-282042-5  
AMP MONO-SHAPE 2 POS P.C.B.CON



TE Part #450301-000  
D-621-0461



TE Part #647344-7  
07P SL156 HSG W/RP TB BLK #3



TE Part #YDTS26W13-35BNV001  
PLUG ASSY



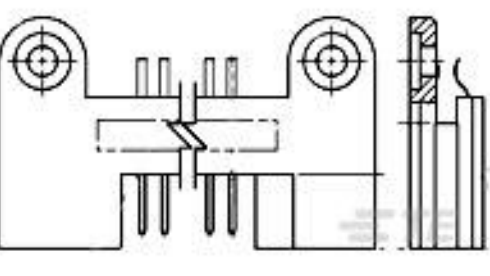
TE Part #1-1871056-0  
DYNAMIC D1100D HDR ASSY V 40P X NATURAL



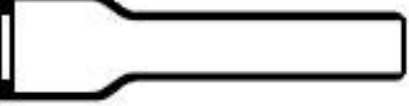
TE Part #585187-000  
D-621-0459-L



TE Part #C61231-000  
55PC1122-22-6/9-94



TE Part #1-530785-0  
BOX PIN HDR ASSY 70 PS 075 CL



TE Part #506595-000  
202D263-25/225-0

## Documents

### Product Drawings

[D-621-0477](#)

English

### Datasheets & Catalog Pages

[Data Bus Components Brochure](#)

English

### Product Specifications

[Product Specification](#)

English

[Product Specification](#)

English