



Holsworthy | Holsworthy RQ73

TE Internal #: 4-2176390-8

3.57K ohm, Thin Film, Precision Resistor, .1 %, 1206, .4 W, ±10 ppm /°C, Solder, 2 Terminations, .55 mm [.022 in] Height, Holsworthy RQ73

[View on TE.com >](#)

Passive Components > Resistors > Surface Mount Resistors



Resistor Type: Precision Resistor

Element Type: Thin Film

Package Size Code: 1206

Power Rating: .4 W

Resistance Value: 3.57K Ω

### Features

#### Product Type Features

Shelf Life	2 Years
Resistor Type	Precision Resistor
Element Type	Thin Film
Package Size Code	1206

#### Configuration Features

Number of Resistors	1
---------------------	---

#### Electrical Characteristics

Operating Voltage	200 V
Power Rating	.4 W
Resistance Value	3.57K Ω
Resistance Class	1kΩ – 1MΩ
Passive Component Tolerance	.1 %

#### Termination Features

Surface Mount Resistor Termination Type	Solder
---	--------



Number of Terminations	2
------------------------	---

### Dimensions

Product Height	.55 mm [.022 in]
Product Length	3.05 mm [.12 in]
Product Width	1.55 mm [.061 in]

### Usage Conditions

Temperature Coefficient	$\pm 10$ ppm/ $^{\circ}$ C
-------------------------	----------------------------

### Industry Standards

Industry Standard	AEC-Q200 Compliant
ESD HBM Classification	1C
Moisture Sensitivity Level	1

### Packaging Features

Packaging Method	Taped & Reeled
------------------	----------------

### Other

Passive Component Comment	Shelf Life Based on Date of Manufacture
---------------------------	---

## Product Compliance

[For compliance documentation, visit the product page on TE.com>](#)

EU RoHS Directive 2011/65/EU	Compliant
EU ELV Directive 2000/53/EC	Compliant
China RoHS 2 Directive MIIT Order No 32, 2016	有害物质含量符合标准要求 No Restricted Substance(s) Above Threshold
EU REACH Regulation (EC) No. 1907/2006	Current ECHA Candidate List: JUNE 2025 (250) Candidate List Declared Against: JUNE 2025 (250) Does not contain REACH SVHC
Halogen Content	Low Halogen - Br, Cl, F < 900 ppm per homogenous material. Also BFR/CFR/PVC Free
Solder Process Capability	Reflow solder capable to 260 $^{\circ}$ C

#### Product Compliance Disclaimer

This information is provided based on reasonable inquiry of our suppliers and represents our current actual knowledge based on the information they provided. This information is subject to change. The part numbers that TE has identified as EU RoHS compliant have a maximum concentration of 0.1% by weight in homogenous materials for lead, hexavalent chromium, mercury, PBB, PBDE, DBP, BBP, DEHP, DIBP, and 0.01% for cadmium, or qualify for an exemption to these



limits as defined in the Annexes of Directive 2011/65/EU (RoHS2). Finished electrical and electronic equipment products will be CE marked as required by Directive 2011/65/EU. Components may not be CE marked. Additionally, the part numbers that TE has identified as EU ELV compliant have a maximum concentration of 0.1% by weight in homogenous materials for lead, hexavalent chromium, and mercury, and 0.01% for cadmium, or qualify for an exemption to these limits as defined in the Annexes of Directive 2000/53/EC (ELV). Regarding the REACH Regulation, the information TE provides on SVHC in articles for this part number is based on the latest European Chemicals Agency (ECHA) 'Guidance on requirements for substances in articles' posted at this URL: <https://echa.europa.eu/guidance-documents/guidance-on-reach>

## Compatible Parts



TE Part # 2176371-8  
RQ 0603 5K49 0.1% 10PPM 5K RL



TE Part # 4-2176391-2  
RQ 1206 33K2 0.1% 10PPM 5K RL



TE Part # 3-2176389-4  
RQ 1206 237R 0.1% 10PPM 5K RL



TE Part # 2176372-6  
RQ 0603 56K2 0.1% 10PPM 5K RL



TE Part # 3-2176382-0  
RQ 0805 267K 0.1% 10PPM 5K RL

## Also in the Series | [Holsworthy RQ73](#)



[Surface Mount Resistors\(1954\)](#)

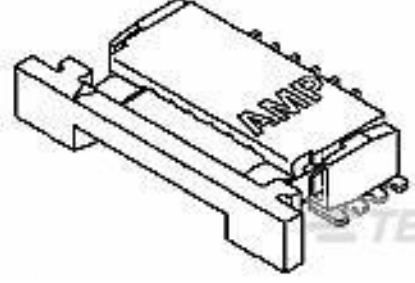
## Customers Also Bought




TE Part #BSA085N00420235000  
923 PLUG



TE Part #801810-SF  
FN7512-63-M6



TE Part #1-84952-0  
1MM FPC HORZ.BTTM CONT.ASS.10P



TE Part #177627-1  
PL .250 (6.3 MM) HOUSING RECEPTACLE



TE Part #292336-1  
Std USB Type A, Flag, T/H



TE Part #5-1415053-1  
SR4M4005




TE Part #1658622-4  
20 NOVO MIL/CTR 30DP,LEAD FREE



TE Part #1-2176370-5  
RQ 0603 604R 0.1% 10PPM 5K RL



TE Part #2-2176390-6  
RQ 1206 2K1 0.1% 10PPM 5K RL



TE Part #114021-E  
ERMB 125 FS 1 EED9 \* 3,70 A-E V-V \* 24

## Documents

### Product Drawings

[RQ 1206 3K57 0.1% 10PPM 5K RL](#)

English

### CAD Files

[3D PDF](#)

3D

Customer View Model

[ENG\\_CVM\\_CVM\\_4-2176390-8\\_B.2d\\_dxf.zip](#)

English

Customer View Model

[ENG\\_CVM\\_CVM\\_4-2176390-8\\_B.3d\\_igs.zip](#)

English

Customer View Model

[ENG\\_CVM\\_CVM\\_4-2176390-8\\_B.3d\\_stp.zip](#)

English

By downloading the CAD file I accept and agree to the [Terms and Conditions](#) of use.

### Datasheets & Catalog Pages

RQ73C2B3K57BTD

3.57K ohm, Thin Film, Precision Resistor, .1 %, 1206, .4 W,  $\pm 10$  ppm/ $^{\circ}$ C, Solder, 2 Terminations, .55 mm [.022 in] Height, Holsworthy RQ73



## SMD Thin Film Precision Resistors - AEC-Q200 Compliant - Type RQ73 Series

English