



Connectors > Connector Accessories > Connector Hardware > Glow Wire Sig GRACE INERTIA TPA



Connector Hardware Accessory Type: **TPA (Terminal Position Assurance)**

Operating Temperature (Max): **105 °C [ 221 °F ]**

Operating Temperature Range: **-30 – 105 °C [ -22 – 221 °F ]**

Hardware Accessory Function: **Position Assurance**

EU RoHS Compliance: **Compliant**

[All Glow Wire Sig GRACE INERTIA TPA \(2\)](#)

## Features

### Industry Standards

UL Flammability Rating	UL 94V-0
------------------------	----------

### Product Type Features

Connector Hardware Accessory Type	TPA (Terminal Position Assurance)
Hardware Accessory Function	Position Assurance

### Usage Conditions

Operating Temperature (Max)	105 °C[221 °F]
Operating Temperature Range	-30 – 105 °C[-22 – 221 °F]

### Other

EU RoHS Compliance	Compliant
EU ELV Compliance	Compliant

## Product Compliance

[For compliance documentation, visit the product page on TE.com>](#)



EU RoHS Directive 2011/65/EU	Compliant
EU ELV Directive 2000/53/EC	Compliant
China RoHS 2 Directive MIIT Order No 32, 2016	No Restricted Materials Above Threshold
EU REACH Regulation (EC) No. 1907/2006	Current ECHA Candidate List: JUNE 2024 (241) Candidate List Declared Against: JUNE 2024 (241) Does not contain REACH SVHC
Halogen Content	Not Low Halogen - contains Br or Cl > 900 ppm.
Solder Process Capability	Not reviewed for solder process capability

Product Compliance Disclaimer

This information is provided based on reasonable inquiry of our suppliers and represents our current actual knowledge based on the information they provided. This information is subject to change. The part numbers that TE has identified as EU RoHS compliant have a maximum concentration of 0.1% by weight in homogenous materials for lead, hexavalent chromium, mercury, PBB, PBDE, DBP, BBP, DEHP, DIBP, and 0.01% for cadmium, or qualify for an exemption to these limits as defined in the Annexes of Directive 2011/65/EU (RoHS2). Finished electrical and electronic equipment products will be CE marked as required by Directive 2011/65/EU. Components may not be CE marked. Additionally, the part numbers that TE has identified as EU ELV compliant have a maximum concentration of 0.1% by weight in homogenous materials for lead, hexavalent chromium, and mercury, and 0.01% for cadmium, or qualify for an exemption to these limits as defined in the Annexes of Directive 2000/53/EC (ELV). Regarding the REACH Regulation, the information TE provides on SVHC in articles for this part number is based on the latest European Chemicals Agency (ECHA) 'Guidance on requirements for substances in articles' posted at this URL: <https://echa.europa.eu/guidance-documents/guidance-on-reach>

## Compatible Parts



TE Part # 4-2232546-3  
GI2.5 HDR ASS 4P RED NO BOSS TAPE



TE Part # 4-2232546-2  
GI2.5 HDR ASS 4P BL NO BOSS TAPE



TE Part # 4-2232546-4  
GI2.5 HDR ASS 4P YEL NO BOSS TAPE



TE Part # 4-2232546-1  
GI2.5 HDR ASS 4P NC NO BOSS TAPE

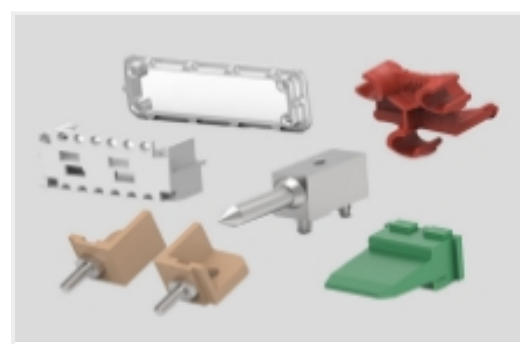


TE Part # 4-2232546-5  
GI2.5 HDR ASS 4P BLK NO BOSS TAPE

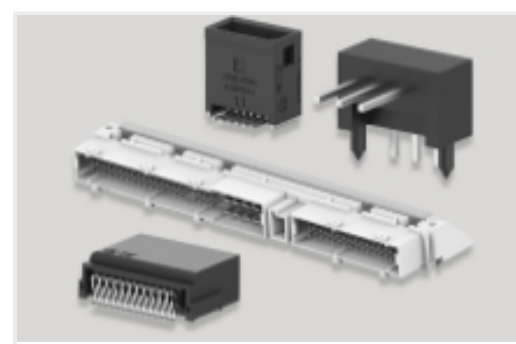
Also in the Series | **GRACE INERTIA 2.5**



Connector Contacts(6)



Connector Hardware(7)



PCB Headers & Receptacles(173)



Power Contacts(2)



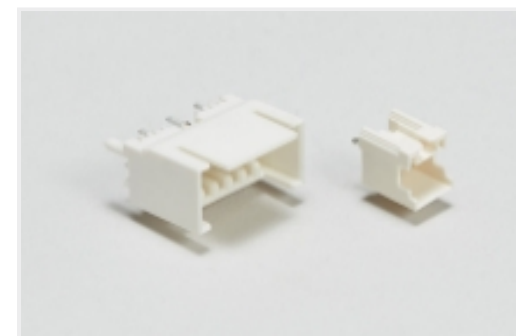
Rectangular Connector Housings(49)



Standard Rectangular Connectors(49)



Wire-to-Board Connector Assemblies & Housings(47)



Wire-to-Board Headers & Receptacles (173)

## Customers Also Bought



TE Part #CAT-SI261-T669  
Signal Double Lock TPA



TE Part #4-1971793-4  
NEW GI CONN2.5 PLUG HSG 4P YLW



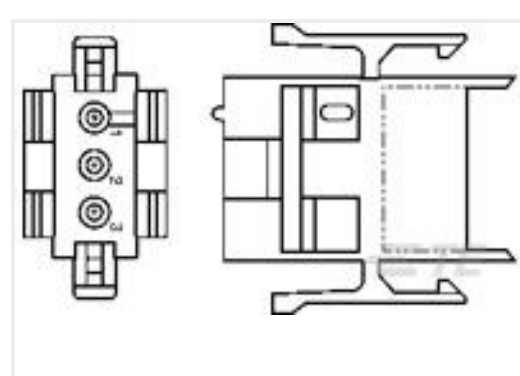
TE Part #5-1534072-5  
MULTIFITING MK2 ASSY TAB AR 10



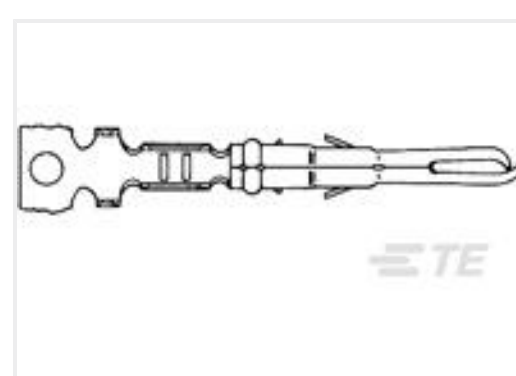
TE Part #1-2232892-3  
3P MONOPLUG 2.5



TE Part #1971795-1  
NEW GI CONN2.5 REC. CONTACT



TE Part #1-640508-0  
03P MR II CAP HSG V0



TE Part #640545-1  
MR SPLIT PIN 26-18 PTPHBRZ LP



TE Part #917689-1  
2.5 SIGNAL D/LOCK PLUG HSG 5P



TE Part #368570-1  
PDL 3P PLUG 6.5(GWT) NAT

## Documents



### Product Drawings

#### NEW GI CONN2.5 TPA 4P BLACK

English

---

### CAD Files

#### 3D PDF

3D

#### Customer View Model

[ENG\\_CVM\\_CVM\\_4-1971794-1\\_B.2d\\_dxf.zip](#)

English

#### Customer View Model

[ENG\\_CVM\\_CVM\\_4-1971794-1\\_B.3d\\_igs.zip](#)

English

#### Customer View Model

[ENG\\_CVM\\_CVM\\_4-1971794-1\\_B.3d\\_stp.zip](#)

English

By downloading the CAD file I accept and agree to the [Terms and Conditions](#) of use.

---

### Product Specifications

#### Product Specification

English