



Product Compliance

[For compliance documentation, visit the product page on TE.com>](#)

EU RoHS Directive 2011/65/EU	Compliant
EU ELV Directive 2000/53/EC	Compliant
China RoHS 2 Directive MIIT Order No 32, 2016	No Restricted Materials Above Threshold
EU REACH Regulation (EC) No. 1907/2006	Current ECHA Candidate List: JUNE 2024 (241) Candidate List Declared Against: JUNE 2024 (241) Does not contain REACH SVHC
Halogen Content	BFR/CFR/PVC Free, but Br/Cl >900 ppm in other sources.
Solder Process Capability	Reflow solder capable to 245°C

Product Compliance Disclaimer

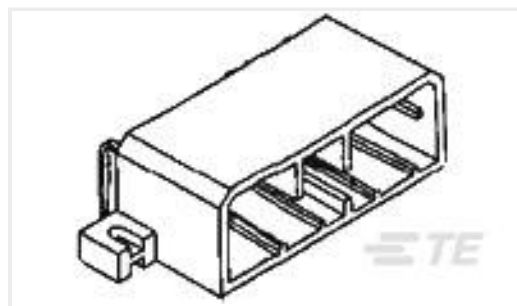
This information is provided based on reasonable inquiry of our suppliers and represents our current actual knowledge based on the information they provided. This information is subject to change. The part numbers that TE has identified as EU RoHS compliant have a maximum concentration of 0.1% by weight in homogenous materials for lead, hexavalent chromium, mercury, PBB, PBDE, DBP, BBP, DEHP, DIBP, and 0.01% for cadmium, or qualify for an exemption to these limits as defined in the Annexes of Directive 2011/65/EU (RoHS2). Finished electrical and electronic equipment products will be CE marked as required by Directive 2011/65/EU. Components may not be CE marked. Additionally, the part numbers that TE has identified as EU ELV compliant have a maximum concentration of 0.1% by weight in homogenous materials for lead, hexavalent chromium, and mercury, and 0.01% for cadmium, or qualify for an exemption to these limits as defined in the Annexes of Directive 2000/53/EC (ELV). Regarding the REACH Regulation, the information TE provides on SVHC in articles for this part number is based on the latest European Chemicals Agency (ECHA) 'Guidance on requirements for substances in articles' posted at this URL: <https://echa.europa.eu/guidance-documents/guidance-on-reach>

Customers Also Bought





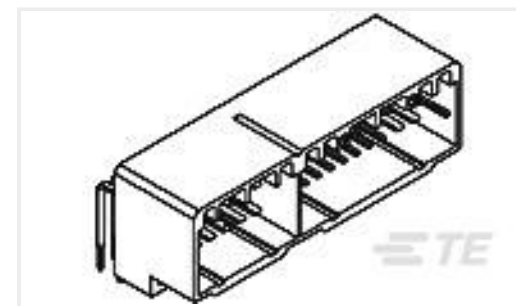
TE Part #292207-7
MINI CT SGL DIP V 7P NAT



TE Part #173858-1
070 MULTILOCK CAP ASSY 12P



TE Part #CAT-D9934-A15H
DYNAMIC 1900D HDR ASSY



TE Part #179098-1
MULTI LOCK I/O CAP ASSY 30P



TE Part #1-1416200-4
V23061A1006X108

Documents

Product Drawings

[1.25FP,P10,DL,B,N,TR,5.00,6.90](#)

English

CAD Files

[3D PDF](#)

English

Customer View Model

[ENG_CVM_4-176890-0_F.2d_dxf.zip](#)

English

Customer View Model

[ENG_CVM_4-176890-0_F.3d_igs.zip](#)

English

Customer View Model

[ENG_CVM_4-176890-0_F.3d_stp.zip](#)

English

By downloading the CAD file I accept and agree to the [Terms and Conditions](#) of use.

Product Specifications

[AMP 1.25mm F-P Connector \(Board To Board\)](#)

Japanese

[Product Specification](#)

Japanese