



Neohm | Neohm CFR

TE Internal #: 4-1623929-3

4.7K ohm, Through-Hole General Purpose Resistor, Carbon Film / Thin Film, 2 W, 5 %, -450 – 0 ppm/°C, Axial-Leaded, Copper Termination, Neohm CFR

[View on TE.com >](#)

Passive Components > Resistors > Through-Hole Resistors



Resistance Value: **4.7K Ω**

Resistor Type: **General Purpose Resistor**

Element Type: **Thin Film, Carbon Film**

Power Rating: **2 W**

Resistance Class: **1kΩ – 1MΩ**

Features

Usage Conditions

| | |
|-----------------------------|-----------------|
| Operating Temperature Range | -55 – 155 °C |
| Temperature Coefficient | -450 – 0 ppm/°C |

Electrical Characteristics

| | |
|-----------------------------|-----------|
| Operating Voltage | 500 V |
| Resistance Value | 4.7K Ω |
| Power Rating | 2 W |
| Resistance Class | 1kΩ – 1MΩ |
| Passive Component Tolerance | 5 % |

Product Type Features

| | |
|---------------|--------------------------|
| Resistor Type | General Purpose Resistor |
| Element Type | Thin Film, Carbon Film |

Configuration Features

| | |
|---------------------|---|
| Number of Resistors | 1 |
|---------------------|---|

Body Features

| | |
|-----------|--------------|
| Lead Type | Axial-Leaded |
|-----------|--------------|

Termination Features

| | |
|--------------------------------|--------|
| Termination Area Base Material | Copper |
| Number of Terminations | 2 |

Dimensions

| | |
|------------------------------|-------------|
| Passive Component Dimensions | 16 x 5.5 mm |
|------------------------------|-------------|

Packaging Features

| | |
|------------------|-------------|
| Packaging Method | Ammo Packed |
|------------------|-------------|

Other

| | |
|--------------------|-----------|
| EU RoHS Compliance | Compliant |
| EU ELV Compliance | Compliant |

Product Compliance

[For compliance documentation, visit the product page on TE.com>](#)

| | |
|---|---|
| EU RoHS Directive 2011/65/EU | Compliant |
| EU ELV Directive 2000/53/EC | Compliant |
| China RoHS 2 Directive MIIT Order No 32, 2016 | No Restricted Materials Above Threshold |
| EU REACH Regulation (EC) No. 1907/2006 | Current ECHA Candidate List: JUNE 2024 (241) Candidate List Declared Against: JUNE 2023 (235) Does not contain REACH SVHC |
| Halogen Content | Low Halogen - Br, Cl, F, I < 900 ppm per homogenous material. Also BFR/CFR/PVC Free |
| Solder Process Capability | Wave solder capable to 265°C |

Product Compliance Disclaimer

This information is provided based on reasonable inquiry of our suppliers and represents our current actual knowledge based on the information they provided. This information is subject to change. The part numbers that TE has identified as EU RoHS compliant have a maximum concentration of 0.1% by weight in homogenous materials for lead, hexavalent chromium, mercury, PBB, PBDE, DBP, BBP, DEHP, DIBP, and 0.01% for cadmium, or qualify for an exemption to these limits as defined in the Annexes of Directive 2011/65/EU (RoHS2). Finished electrical and electronic equipment products will be CE marked as required by Directive 2011/65/EU. Components may not be CE marked. Additionally, the part numbers that TE has identified as EU ELV compliant have a maximum concentration of 0.1% by weight in homogenous materials for lead, hexavalent chromium, and mercury, and 0.01% for cadmium, or qualify for an exemption to these limits as defined in the Annexes of Directive 2000/53/EC (ELV). Regarding the REACH Regulation, the information TE provides on SVHC in articles for this part number is based on the latest European Chemicals Agency (ECHA) 'Guidance on requirements for substances in articles' posted at this URL: <https://echa.europa.eu/guidance-documents/guidance-on-reach>

Compatible Parts



TE Part # 7-1623929-2
CFR200 2% 4K7



TE Part # 1623927-8
CFR16 5% 120R



TE Part # 1623925-2
CFR100 5% 100R



TE Part # 1623930-3
CFR25 5% 10K



TE Part # 1623932-8
CFR50 5% 10K



TE Part # 2-1623929-2
CFR200 5% 22K

Also in the Series | Neohm CFR



[Through-Hole Resistors\(378\)](#)

Customers Also Bought



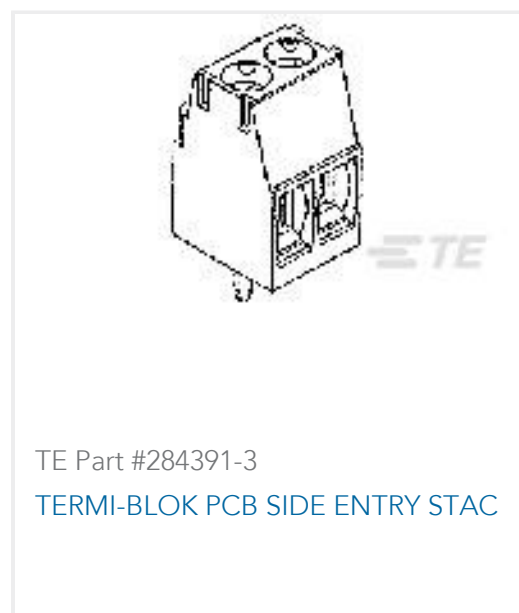
TE Part #1614976-1
LR0204 1% 100K



TE Part #1-1623929-6
CFR200 5% 1K5



TE Part #1623929-2
CFR200 5% 100R



TE Part #284391-3
TERMI-BLOK PCB SIDE ENTRY STAC



TE Part #3-1623929-4
CFR200 5% 390R



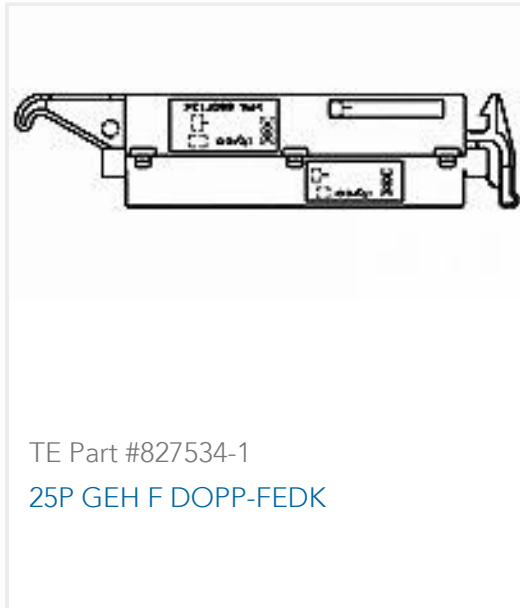
TE Part #EC6541-000
13611922



TE Part #166916-000
RMW-63/19-1200/ADH-0



TE Part #CB5065-000
BSTS-27X4



Documents

Product Drawings

[CFR200 5% 4K7](#)

English

CAD Files

Customer View Model

[ENG_CVM_CVM_4-1623929-3_BA.2d_dxf.zip](#)

English

[3D PDF](#)

3D

Customer View Model

[ENG_CVM_CVM_4-1623929-3_BA.3d_igs.zip](#)

English

Customer View Model

[ENG_CVM_CVM_4-1623929-3_BA.3d_stp.zip](#)

English

By downloading the CAD file I accept and agree to the [Terms and Conditions](#) of use.

Datasheets & Catalog Pages

[1309350_PASSIVE_COMPONENT](#)

English

[Ceramic Film Fixed Resistors - Type CFR Series - Tyco Electronics Passives](#)

English