

4-1618388-6 ✓ ACTIVE

Kilovac | Kilovac LEV200

TE Internal #: 4-1618388-6

High Voltage Contactor, DC, 1 Form X SPST-NO-DM, 500 A

Contact Rating, 48 VDC Coil Voltage, Chassis Mount,

Environmentally Sealed, Kilovac LEV200

[View on TE.com >](#)



Relays & Contactors > Electromechanical Relays



Relay & Contactor Type: **High Voltage Contactor**

Contact Current Rating: **500 A**

Contact Arrangement: **1 Form X SPST-NO-DM**

Current Type: **DC**

Coil Voltage Rating: **48 VDC**

Features

Product Type Features

| | |
|------------------------|------------------------|
| Relay & Contactor Type | High Voltage Contactor |
|------------------------|------------------------|

Configuration Features

| | |
|--------------------------------------|---------------------|
| Auxiliary Switch Contact Arrangement | None |
| Contact Arrangement | 1 Form X SPST-NO-DM |
| Contact Number of Poles | 1 |

Electrical Characteristics

| | |
|---------------------------------|--------------|
| Contact Switching Voltage (Max) | 900 VDC |
| Contact Current Rating | 500 A |
| Coil Voltage Rating | 48 VDC |
| Coil Resistance | 145 Ω |

Body Features

| | |
|----------------|------------------------|
| Enclosure Type | Environmentally Sealed |
|----------------|------------------------|

Termination Features

| | |
|------------------------------------|------------|
| Main Termination & Connection Type | M8 x 1.25 |
| Coil Termination & Connection Type | 10-32 Stud |

Mechanical Attachment

| | |
|---------------|-----------------|
| Torque (Main) | 80 – 100 in-lbs |
|---------------|-----------------|



| | |
|---------------|----------------|
| Torque (Coil) | 15 – 30 in-lbs |
|---------------|----------------|

| | |
|--------------------|---------------|
| Product Mount Type | Chassis Mount |
|--------------------|---------------|

Dimensions

| | |
|-----------|---------------------|
| Wire Size | .34 mm ² |
|-----------|---------------------|

Operation/Application

| | |
|--------------|----|
| Current Type | DC |
|--------------|----|

Packaging Features

| | |
|------------------|------------|
| Packaging Method | Individual |
|------------------|------------|

Other

| | |
|-----------------------|---------------|
| Contact Current Class | >200 – ≤500 A |
|-----------------------|---------------|

Product Compliance

[For compliance documentation, visit the product page on TE.com>](#)

| | |
|------------------------------|-----------|
| EU RoHS Directive 2011/65/EU | Compliant |
|------------------------------|-----------|

| | |
|-----------------------------|---------------------------|
| EU ELV Directive 2000/53/EC | Compliant with Exemptions |
|-----------------------------|---------------------------|

| | |
|---|---|
| China RoHS 2 Directive MIIT Order No 32, 2016 | 有害物质含量符合标准要求 No Restricted Substance(s) Above Threshold |
|---|---|

| | |
|--|---|
| EU REACH Regulation (EC) No. 1907/2006 | <p>Current ECHA Candidate List: JUNE 2025 (250)</p> <p>Candidate List Declared Against: JUNE 2025 (250)</p> <p>SVHC > Threshold:</p> <p>Pb (.35% in Component part)</p> <p>Article Safe Usage Statements: Do not eat, drink or smoke when using this product. Wash thoroughly after handling. Recycle if possible and dispose of the article by following all applicable governmental regulations relevant to your geographic location.</p> |
|--|---|

| | |
|-----------------|--|
| Halogen Content | Not Low Halogen - contains Br or Cl > 900 ppm. |
|-----------------|--|

| | |
|---------------------------|--|
| Solder Process Capability | Not applicable for solder process capability |
|---------------------------|--|

Product Compliance Disclaimer

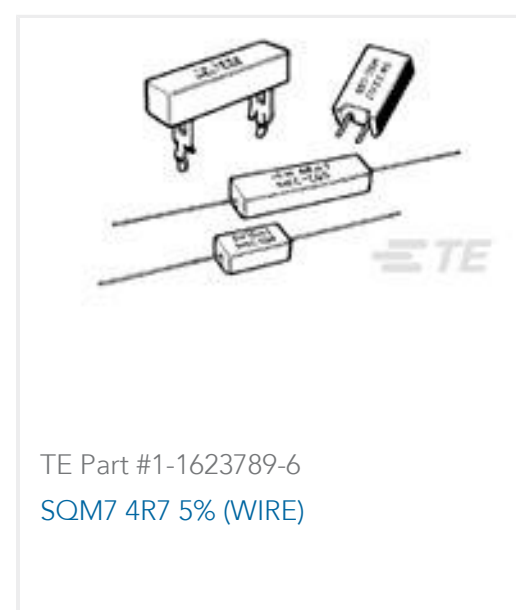
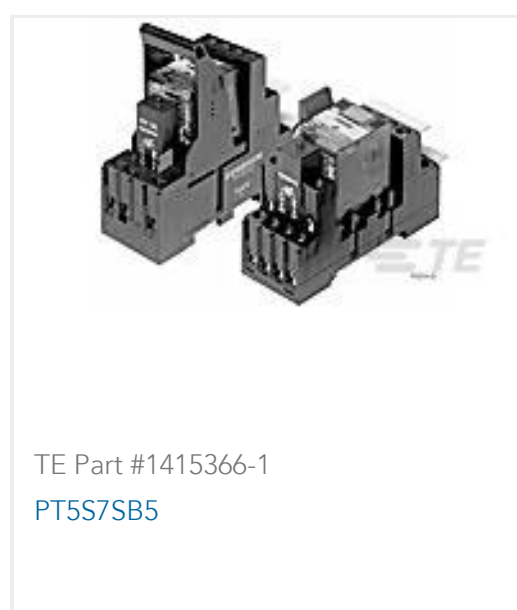
This information is provided based on reasonable inquiry of our suppliers and represents our current actual knowledge based on the information they provided. This information is subject to change. The part numbers that TE has identified as EU RoHS compliant have a maximum concentration of 0.1% by weight in homogenous materials for lead, hexavalent chromium, mercury, PBB, PBDE, DBP, BBP, DEHP, DIBP, and 0.01% for cadmium, or qualify for an exemption to these limits as defined in the Annexes of Directive 2011/65/EU (RoHS2). Finished electrical and electronic equipment products will be CE marked as required by Directive 2011/65/EU. Components may not be CE marked. Additionally, the part numbers that TE has identified as EU ELV compliant have a maximum concentration of 0.1% by weight in homogenous materials for lead, hexavalent chromium, and mercury, and 0.01% for cadmium, or qualify for an exemption to these limits as defined in the Annexes of Directive 2000/53/EC (ELV). Regarding the REACH Regulation, the information TE provides on SVHC in articles for this part number is based on the latest European Chemicals Agency (ECHA) 'Guidance on requirements for substances in articles' posted at this URL: <https://echa.europa.eu/guidance-documents/guidance-on-reach>

Compatible Parts



Also in the Series

Customers Also Bought



Documents

[CAD Files](#)

[3D PDF](#)

[3D](#)



Customer View Model

[ENG_CVM_CVM_4-1618388-6_E.2d_dxf.zip](#)

English

Customer View Model

[ENG_CVM_CVM_4-1618388-6_E.3d_igs.zip](#)

English

Customer View Model

[ENG_CVM_CVM_4-1618388-6_E.3d_stp.zip](#)

English

By downloading the CAD file I accept and agree to the [Terms and Conditions](#) of use.

Datasheets & Catalog Pages

[5-1773450-5_sec7_LEV200](#)

English

Agency Approvals

[CE Declaration of Conformity](#)

English