



**Kilovac**

TE Internal #: 4-1618002-9

High Voltage Contactor, DC, 1 Form A SPST-NO, 600 A Contact Rating, 24 VDC Coil Voltage, 28 – 1800 VDC Contact Voltage, Panel Mount

[View on TE.com >](#)

Relays & Contactors > Electromechanical Relays



Relay & Contactor Type: **High Voltage Contactor**

Contact Current Rating: **600 A**

Contact Arrangement: **1 Form A SPST-NO**

Current Type: **DC**

Coil Voltage Rating: **24 VDC**

**Features**

**Product Type Features**

Relay & Contactor Type	High Voltage Contactor
------------------------	------------------------

**Configuration Features**

Relay Options	Not RF Rated, Power Switching
Contact Arrangement	1 Form A SPST-NO

**Electrical Characteristics**

Contact Switching Voltage (Max)	1800 VDC
Contact Current Rating	600 A
Coil Voltage Rating	24 VDC
Contact Voltage Rating	28 – 1800 VDC
Coil Resistance	72 Ω

**Contact Features**

Contact Material	Copper
------------------	--------

**Termination Features**

Main Termination & Connection Type	Screw Terminals
Coil Termination & Connection Type	Flying Leads

**Mechanical Attachment**

Product Mounting Feature Type	Flange with Screws
Product Mount Type	Panel Mount



**Operation/Application**

Current Type	DC
--------------	----

**Other**

Contact Current Class	>500 A
-----------------------	--------

**Product Compliance**

[For compliance documentation, visit the product page on TE.com>](#)

EU RoHS Directive 2011/65/EU	Not Compliant
EU ELV Directive 2000/53/EC	Not Compliant
China RoHS 2 Directive MIIT Order No 32, 2016	Restricted Materials Above Threshold
EU REACH Regulation (EC) No. 1907/2006	Current ECHA Candidate List: JUNE 2025 (250) Candidate List Declared Against: JAN 2022 (223) SVHC > Threshold: Not Yet Reviewed
Halogen Content	Low Halogen - Br, Cl, F < 900 ppm per homogenous material. Also BFR/CFR/PVC Free
Solder Process Capability	Not applicable for solder process capability

Product Compliance Disclaimer

This information is provided based on reasonable inquiry of our suppliers and represents our current actual knowledge based on the information they provided. This information is subject to change. The part numbers that TE has identified as EU RoHS compliant have a maximum concentration of 0.1% by weight in homogenous materials for lead, hexavalent chromium, mercury, PBB, PBDE, DBP, BBP, DEHP, DIBP, and 0.01% for cadmium, or qualify for an exemption to these limits as defined in the Annexes of Directive 2011/65/EU (RoHS2). Finished electrical and electronic equipment products will be CE marked as required by Directive 2011/65/EU. Components may not be CE marked. Additionally, the part numbers that TE has identified as EU ELV compliant have a maximum concentration of 0.1% by weight in homogenous materials for lead, hexavalent chromium, and mercury, and 0.01% for cadmium, or qualify for an exemption to these limits as defined in the Annexes of Directive 2000/53/EC (ELV). Regarding the REACH Regulations, TE's information on SVHC in articles for this part number is still based on the European Chemical Agency (ECHA) 'Guidance on requirements for substances in articles' (Version: 2, April 2011), applying the 0.1% weight on weight concentration threshold at the finished product level. TE is aware of the European Court of Justice ruling of September 10th, 2015 also known as O5A (Once An Article Always An Article) stating that, in case of 'complex object', the threshold for a SVHC must be applied to both the product as a whole and simultaneously to each of the articles forming part of its composition. TE has evaluated this ruling based on the new ECHA "Guidance on requirements for substances in articles" (June 2017, version 4.0) and will be updating its statements accordingly.

**Compatible Parts**

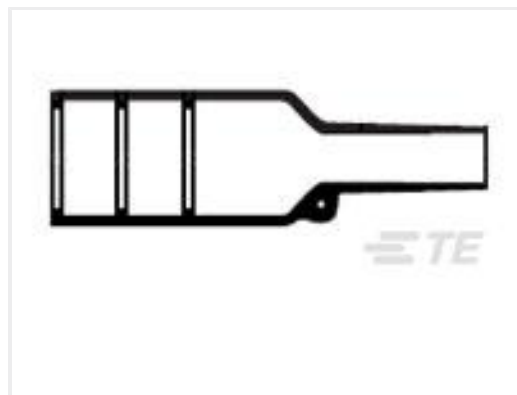


TE Part # 1618002-7  
EV200AAANA=RELAY, EV200 SPST-N

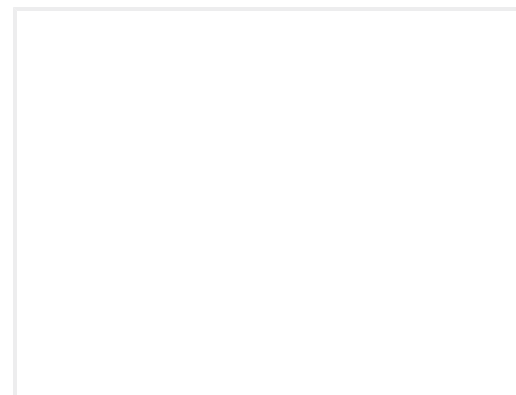
### Customers Also Bought



TE Part #CAT-HST-RNF100-0  
RNF-100-0 Heat Shrink Tubing



TE Part #016211-000  
202K163-100/180-0



TE Part #M15570-20-1  
TOOL INS/REM



TE Part #205090-1  
HD 20 SOCKET CONTACT

### Documents

#### CAD Files

[3D PDF](#)

[3D](#)

**Customer View Model**

[ENG\\_CVM\\_CVM\\_4-1618002-9\\_G.2d\\_dxf.zip](#)

English

**Customer View Model**

[ENG\\_CVM\\_CVM\\_4-1618002-9\\_G.3d\\_igs.zip](#)

English

**Customer View Model**

[ENG\\_CVM\\_CVM\\_4-1618002-9\\_G.3d\\_stp.zip](#)

English

By downloading the CAD file I accept and agree to the [Terms and Conditions](#) of use.

#### Datasheets & Catalog Pages

[5-1773450-5\\_sec7\\_EV500](#)

English