

4-1609114-4 ✓ ACTIVE

Corcom | Corcom APS

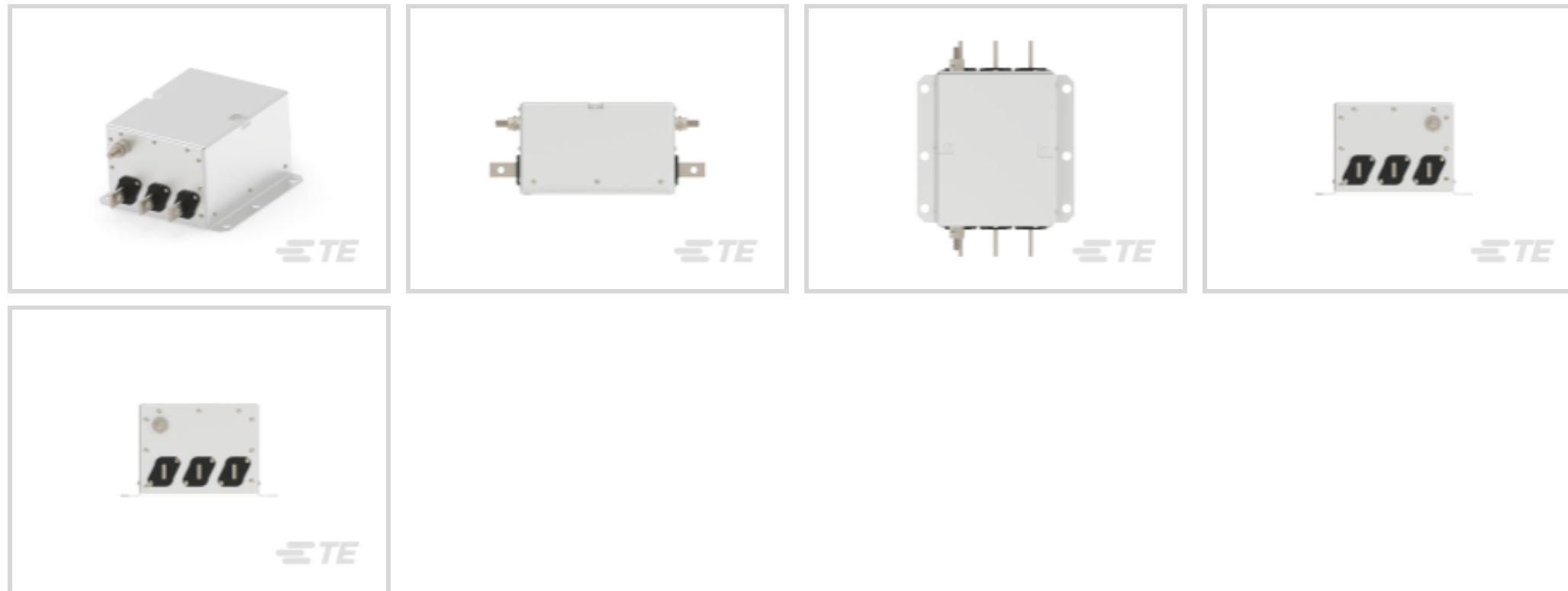
TE Internal #: 4-1609114-4

250 A 3-Phase Filter, Bus Bar Input, Bus Bar Output, DELTA (3 wire + ground), 520 VAC, Chassis Mount, Corcom APS

[View on TE.com >](#)



EMI & EMC Solutions > EMI Filters > Power Line Filters > 3-Phase Filters > 3 Phase Power Line Filters, Corcom APS Series



Current Rating: 250 A

Input Termination Type: Bus Bar

Output Termination Type: Bus Bar

Wiring Configuration: DELTA (3 wire + ground)

Operating Voltage: 520 VAC

[All 3 Phase Power Line Filters, Corcom APS Series \(10\)](#)

## Features

### Usage Conditions

Operating Temperature Range	-10 – 50 °C
-----------------------------	-------------

### Product Type Features

Filtering Requirements	Filtered
Input Termination Type	Bus Bar
Output Termination Type	Bus Bar

### Electrical Characteristics

Leakage Current (Max) (250VAC, 50Hz)	270 mA
Current Rating	250 A
Operating Voltage	520 VAC

### Configuration Features

Wiring Configuration	DELTA (3 wire + ground)
----------------------	-------------------------

### Mechanical Attachment

Product Mount Type	Chassis Mount
--------------------	---------------



Other

EU RoHS Compliance	Compliant
EU ELV Compliance	Compliant

Product Compliance

[For compliance documentation, visit the product page on TE.com>](#)

EU RoHS Directive 2011/65/EU	Compliant
EU ELV Directive 2000/53/EC	Compliant
China RoHS 2 Directive MIIT Order No 32, 2016	No Restricted Materials Above Threshold
EU REACH Regulation (EC) No. 1907/2006	Current ECHA Candidate List: JUNE 2024 (241) Candidate List Declared Against: JAN 2022 (223) Does not contain REACH SVHC
Halogen Content	Low Halogen - Br, Cl, F, I < 900 ppm per homogenous material. Also BFR/CFR/PVC Free
Solder Process Capability	Not applicable for solder process capability

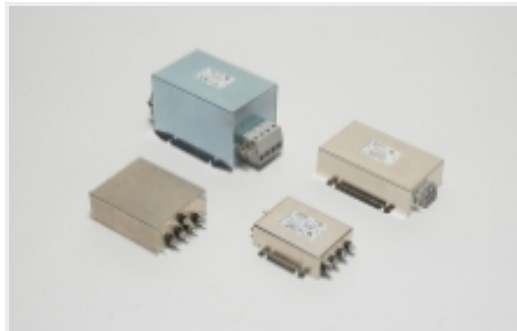
Product Compliance Disclaimer

This information is provided based on reasonable inquiry of our suppliers and represents our current actual knowledge based on the information they provided. This information is subject to change. The part numbers that TE has identified as EU RoHS compliant have a maximum concentration of 0.1% by weight in homogenous materials for lead, hexavalent chromium, mercury, PBB, PBDE, DBP, BBP, DEHP, DIBP, and 0.01% for cadmium, or qualify for an exemption to these limits as defined in the Annexes of Directive 2011/65/EU (RoHS2). Finished electrical and electronic equipment products will be CE marked as required by Directive 2011/65/EU. Components may not be CE marked. Additionally, the part numbers that TE has identified as EU ELV compliant have a maximum concentration of 0.1% by weight in homogenous materials for lead, hexavalent chromium, and mercury, and 0.01% for cadmium, or qualify for an exemption to these limits as defined in the Annexes of Directive 2000/53/EC (ELV). Regarding the REACH Regulation, the information TE provides on SVHC in articles for this part number is based on the latest European Chemicals Agency (ECHA) 'Guidance on requirements for substances in articles' posted at this URL: <https://echa.europa.eu/guidance-documents/guidance-on-reach>

Compatible Parts

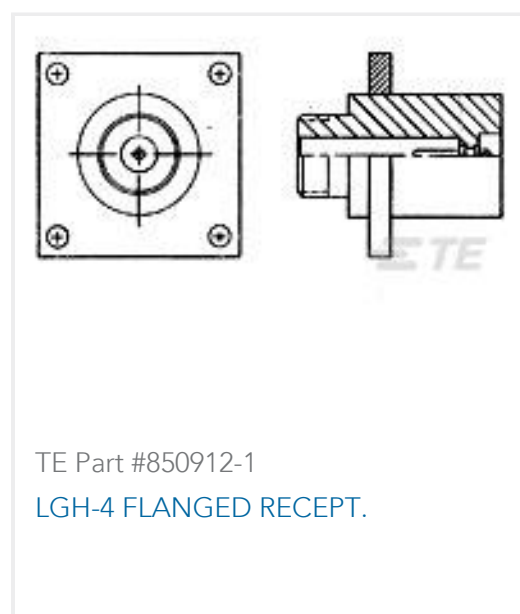


## Also in the Series | Corcom APS



3-Phase Filters(10)

## Customers Also Bought

TE Part #7-1879352-0  
RR02 5% 240R AMMOTE Part #850912-1  
LGH-4 FLANGED RECEPT.TE Part #5-1879353-7  
RR02 5% 910K AMMOTE Part #5-2176349-8  
CRGCO 2512 560K 1%TE Part #3-5435668-5  
DIP SW 5 POSN W/TAPE AUTE Part #6609070-8  
110FCD10B =F7763TE Part #BKA186M27420100000  
923 EXTENSION, SPEEDTECTE Part #32189  
TERMINAL,DG R 16-14 4TE Part #1-534998-1  
22 MODIV VRT DR CE 100/125TE Part #8-1415013-1  
MT323250

## Documents

### Product Drawings

[250APS12L=F8409](#)

English

### CAD Files

Customer View Model

[ENG\\_CVM\\_CVM\\_4-1609114-4\\_B.3d\\_igs.zip](#)



English

**Customer View Model**

[ENG\\_CVM\\_CVM\\_4-1609114-4\\_B.3d\\_stp.zip](#)

English

**Customer View Model**

[ENG\\_CVM\\_CVM\\_4-1609114-4\\_B.2d\\_dxf.zip](#)

English

**3D PDF**

3D

By downloading the CAD file I accept and agree to the [Terms and Conditions](#) of use.

---

### Datasheets & Catalog Pages

[Corcom APH/APS Series 3-phase high current EMI filters](#)

English

[Corcom Combined Selector Charts](#)

English