



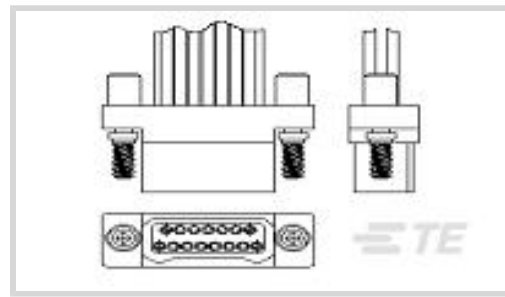
Nanonics

TE Internal #: 4-1589472-9

25 Position D-Shaped Connector, Plug, Wire-to-Wire, Cable Mount (Free-Hanging), .64 mm [.025 in] Centerline, Wire & Cable, Signal

[View on TE.com >](#)

Connectors > D-Shaped Connectors > DUALOBE Plug Connector: Plastic Shell, 2 Row Configuration



Number of Positions: 25

Connector & Housing Type: Plug

Connector System: Wire-to-Wire

Connector Mounting Type: Cable Mount (Free-Hanging)

Centerline (Pitch): .64 mm [.025 in]

[All DUALOBE Plug Connector: Plastic Shell, 2 Row Configuration \(14\)](#)

Features

Product Type Features

Connector & Housing Type	Plug
Connector System	Wire-to-Wire
Sealable	No
Connector & Contact Terminates To	Wire & Cable

Configuration Features

Number of Positions	25
---------------------	----

Contact Features

Contact Mating Area Plating Material	Gold (Au)
Contact Type	Pin
Contact Base Material	Beryllium Copper
Contact Current Rating (Max)	1 A
Contact Options	Installed

Termination Features

Termination Method to Wire & Cable	Preterminated Flying Leads
------------------------------------	----------------------------

Mechanical Attachment

Connector Mounting Type	Cable Mount (Free-Hanging)
-------------------------	----------------------------

Housing Features



Centerline (Pitch)	.64 mm [.025 in]
--------------------	------------------

Usage Conditions

Operating Temperature Range	-200 – 200 °C [-328 – 392 °F]
-----------------------------	-------------------------------

Operation/Application

Circuit Application	Signal
---------------------	--------

Product Compliance

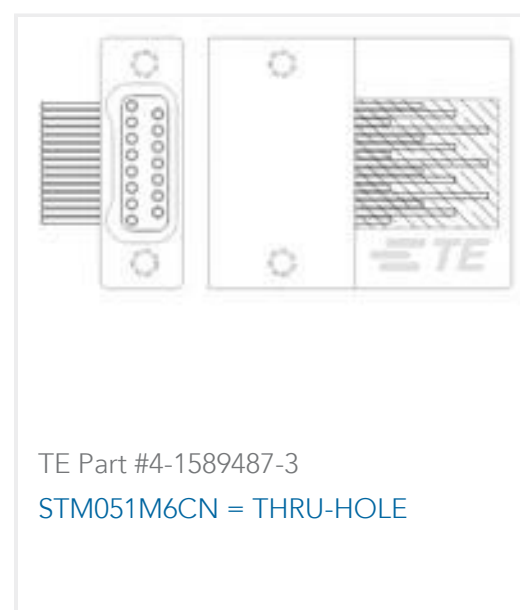
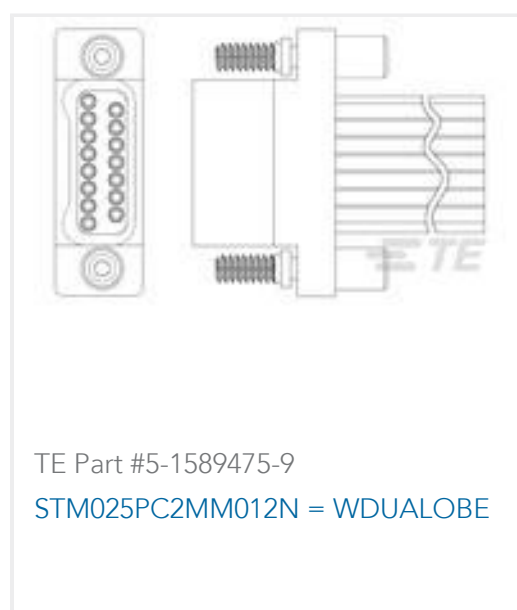
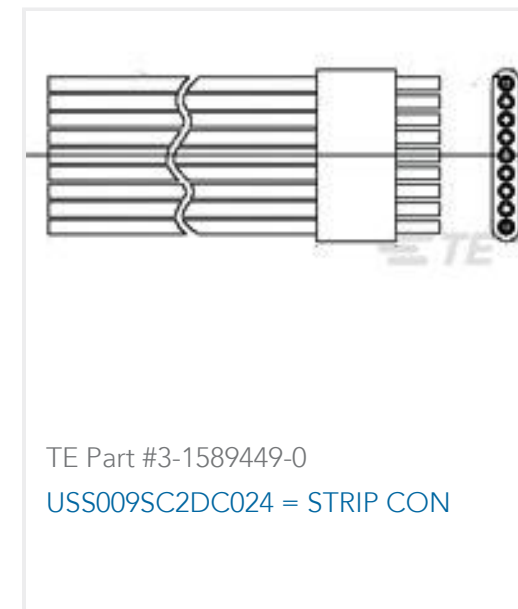
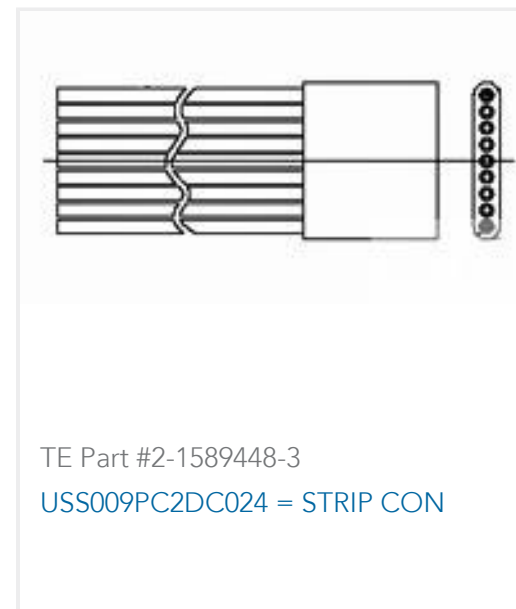
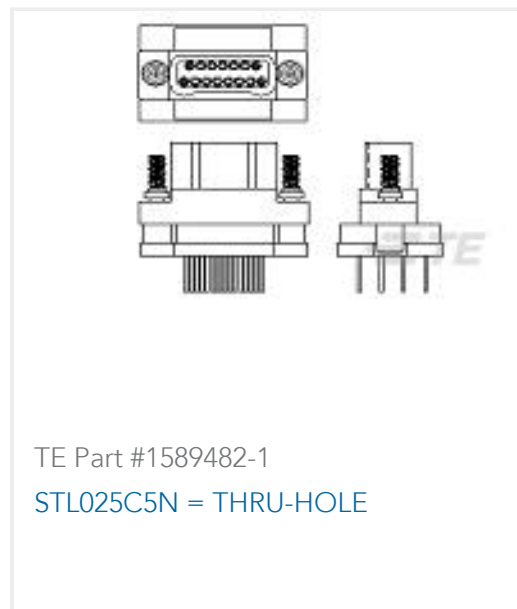
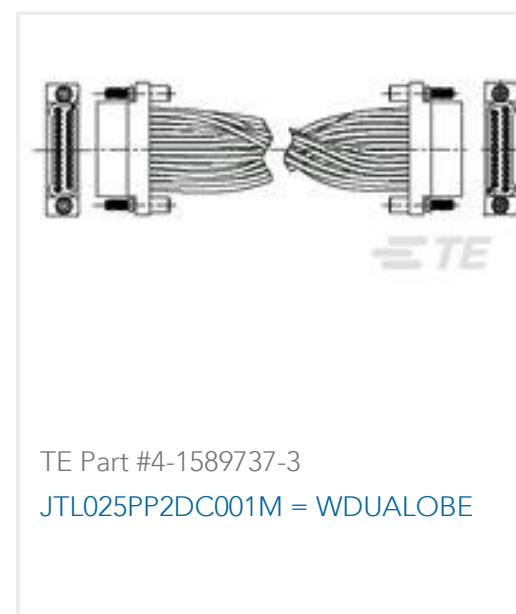
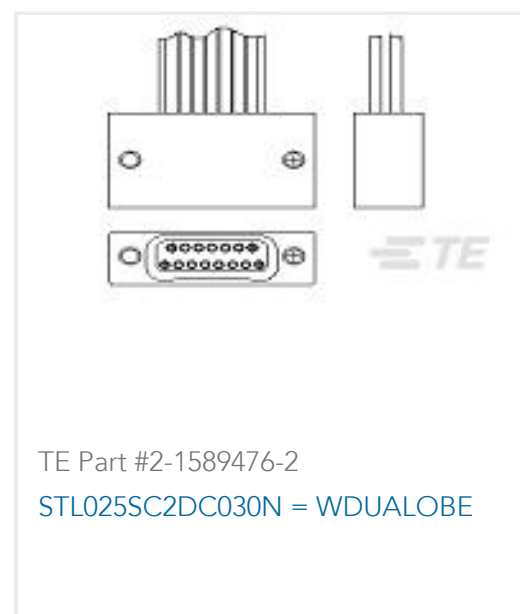
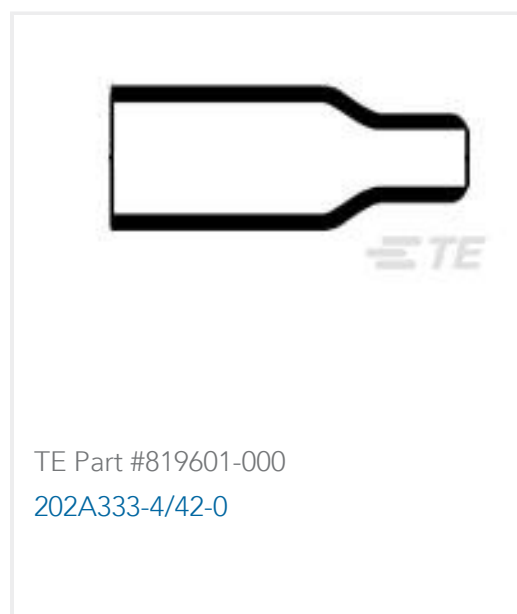
[For compliance documentation, visit the product page on TE.com>](#)

EU RoHS Directive 2011/65/EU	Compliant
EU ELV Directive 2000/53/EC	Compliant
China RoHS 2 Directive MIIT Order No 32, 2016	有害物质含量符合标准要求 No Restricted Substance(s) Above Threshold
EU REACH Regulation (EC) No. 1907/2006	Current ECHA Candidate List: JUNE 2025 (250) Candidate List Declared Against: JUNE 2023 (235) Does not contain REACH SVHC
Halogen Content	Low Halogen - Br, Cl, F < 900 ppm per homogenous material. Also BFR/CFR/PVC Free
Solder Process Capability	Wave solder capable to 265°C

Product Compliance Disclaimer

This information is provided based on reasonable inquiry of our suppliers and represents our current actual knowledge based on the information they provided. This information is subject to change. The part numbers that TE has identified as EU RoHS compliant have a maximum concentration of 0.1% by weight in homogenous materials for lead, hexavalent chromium, mercury, PBB, PBDE, DBP, BBP, DEHP, DIBP, and 0.01% for cadmium, or qualify for an exemption to these limits as defined in the Annexes of Directive 2011/65/EU (RoHS2). Finished electrical and electronic equipment products will be CE marked as required by Directive 2011/65/EU. Components may not be CE marked. Additionally, the part numbers that TE has identified as EU ELV compliant have a maximum concentration of 0.1% by weight in homogenous materials for lead, hexavalent chromium, and mercury, and 0.01% for cadmium, or qualify for an exemption to these limits as defined in the Annexes of Directive 2000/53/EC (ELV). Regarding the REACH Regulation, the information TE provides on SVHC in articles for this part number is based on the latest European Chemicals Agency (ECHA) 'Guidance on requirements for substances in articles' posted at this URL: <https://echa.europa.eu/guidance-documents/guidance-on-reach>

Customers Also Bought



Documents

Product Drawings

[STL025PC2DC030N = WDUALOBE](#)

English

CAD Files

[3D PDF](#)

3D

Customer View Model

[ENG_CVM_CVM_4-1589472-9_S_c-4-1589472-9-s.2d_dxf.zip](#)

English

Customer View Model

[ENG_CVM_CVM_4-1589472-9_S_c-4-1589472-9-s.3d_igs.zip](#)

English

Customer View Model

[ENG_CVM_CVM_4-1589472-9_S_c-4-1589472-9-s.3d_stp.zip](#)

English

By downloading the CAD file I accept and agree to the [Terms and Conditions](#) of use.

Datasheets & Catalog Pages

STL025PC2DC030N

25 Position D-Shaped Connector, Plug, Wire-to-Wire, Cable Mount (Free-Hanging), .
64 mm [.025 in] Centerline, Wire & Cable, Signal



1589472 Nanonics Cross Reference

English